

DUCAR

Diagramme de pièces *Parts diagram*

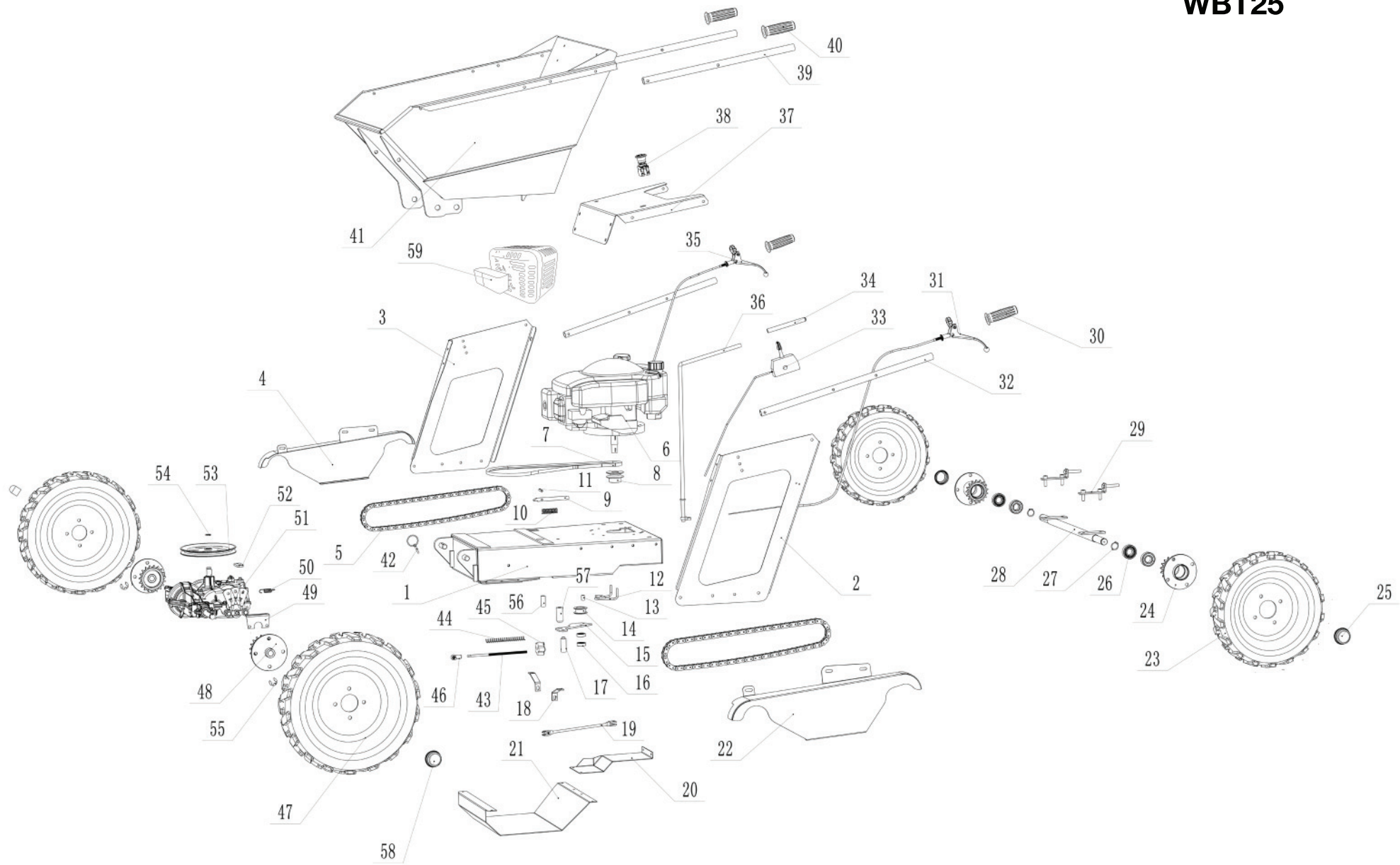


Le modèle peut différer légèrement de la photo / *The model may differ slightly from the picture*

WBT25

Brouette motorisée *Motorized Wheelbarrow*

WBT25



| Spare parts for DUEWBT25 Wheelbarrow | | |
|--------------------------------------|-------------------------|-----|
| No. | Description | Qty |
| 1 | Chassis | 1 |
| 2 | Left mounting plate | 1 |
| 3 | Right mounting plate | 1 |
| 4 | Right chain guard plate | 1 |
| 5 | Chain | 2 |
| 6 | DV196 engine 5.5hp | 1 |
| 7 | Kevlar belt | 1 |
| 8 | Engine pulley | 1 |
| 9 | Bucket pin | 1 |
| 10 | Spring | 1 |
| 11 | Elastic cylindrical pin | 1 |
| 12 | Belt position limiter | 1 |
| 13 | Shaft sleeve | 1 |
| 14 | Tension wheel | 1 |
| 15 | Belt mounting plate | 1 |
| 16 | Bearing | 2 |
| 17 | Belt adjustment | 1 |
| 18 | Transaxle support plate | 2 |
| 19 | Shift connection rod | 1 |
| 20 | Rear backplate | 1 |
| 21 | Front backplate | 1 |
| 22 | Left chain guard plate | 1 |
| 23 | 4.00-8 tire | 2 |
| 24 | Rear sprocket assembly | 2 |
| 25 | Dust Cap - Rear Wheel | 2 |
| 26 | Bearing | 4 |
| 27 | Elastic collar | 2 |
| 28 | Rear axle | 1 |

| | | |
|----|-------------------------|---|
| 29 | Chain adjustment plate | 2 |
| 30 | Handlebar grip | 2 |
| 31 | Clutch control handle | 1 |
| 32 | Push rod | 2 |
| 33 | Throttle controller | 1 |
| 34 | Shift lever grip | 1 |
| 35 | Bucket control handle | 1 |
| 36 | Shift lever | 1 |
| 37 | Control Console | 1 |
| 38 | Emergency stop button | 1 |
| 39 | Bucket push rod | 2 |
| 40 | Handlebar grip | 2 |
| 41 | Bucket | 1 |
| 42 | Bayonet | 1 |
| 43 | Clutch control lever | 1 |
| 44 | Spring | 1 |
| 45 | M8 nut | 1 |
| 46 | M8 ball head joint | 1 |
| 47 | 4.00-10 tire | 2 |
| 48 | Front sprocket assembly | 2 |
| 49 | Brake limit plate | 1 |
| 50 | Brake return spring | 1 |
| 51 | Transaxle | 1 |
| 52 | Paddle shift | 1 |
| 53 | Drive pulley | 1 |
| 54 | Elastic collar | 1 |
| 55 | Split washer | 2 |
| 56 | Belt limit sleeve | 1 |
| 57 | Locating sleeve | 1 |
| 58 | Dust Cap - Front Wheel | 2 |
| 59 | Muffler Shield | 1 |