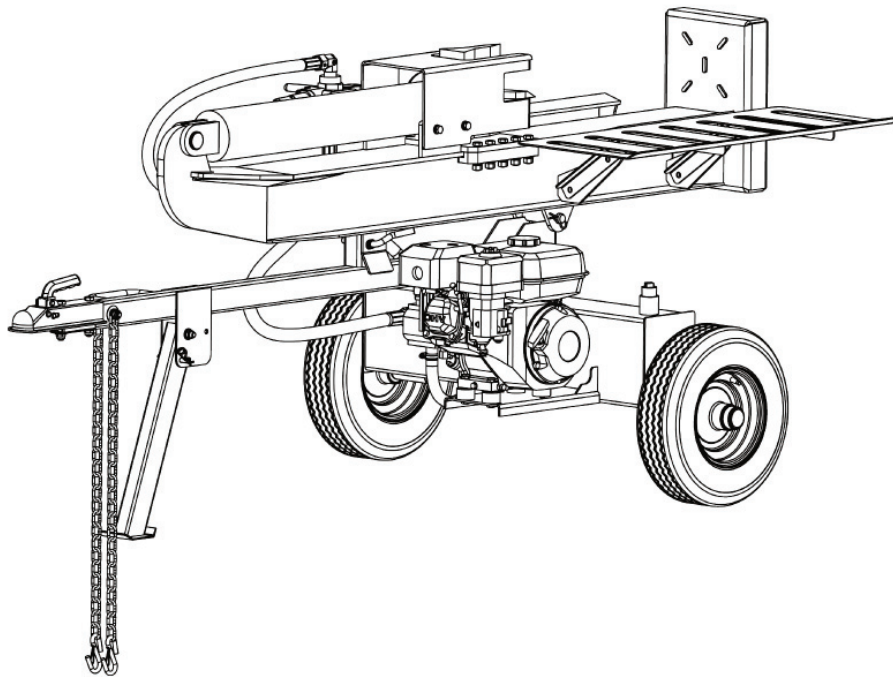


DUCAR

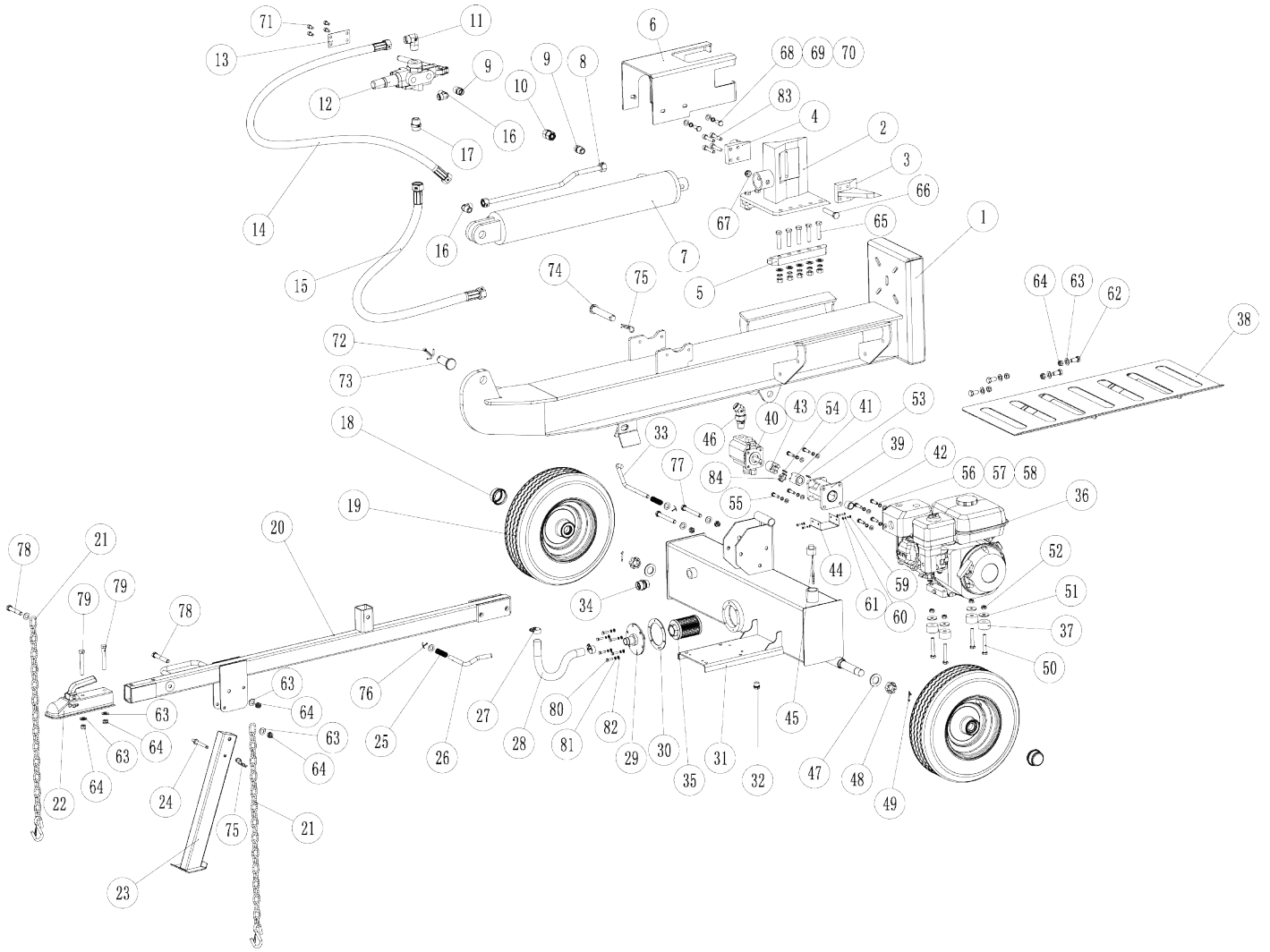
Diagramme de pièces *Parts diagram*



Le modèle peut différer légèrement de la photo / *The model may differ slightly from the picture*

PG28T **Fendeuse à bois** *Log Splitter*

Parts Diagram PG28T



Spare parts for PG28T Hydraulic Log Splitter		
No.	Description	Qty
1	Beam	1
2	Main wedge	1
3	Right cross wedge	1
4	Left cross wedge	1
5	Slide guide	2
6	Log stripper	1
7	Cylinder	1
8	Welded hose	1
9	Cylinder connector fitting	2
10	Transition joint fitting	1
11	90° joint fitting	1
12	Control valve	1
13	Control valve backplate	1
14	Hydraulic hose (Oil return)	1
15	Hydraulic hose (Oil inlet)	1
16	90° joint fitting	2
17	Control valve connector	1
18	Bearing cover	2
19	4.8-8 DOT Road tire	2
20	Tow bar	1
21	Safety chain	2
22	2" Ball coupler hitch	1
23	Support leg	1
24	Safety pin	1
25	Spring	2
26	Safety pin	1
27	Hose clamp	2
28	Suction hose hyd.	1
29	Flange of filter	1
30	O-ring rubber washer	1
31	Hydraulic oil tank	1
32	Drain plug	1
33	Safety pin	1
34	Oil tank connector fitting	1
35	Return oil filter	1
36	Engine DJ168F	1
37	Engine shock pad	4
38	Log cradle	1
39	Pump bracket	1
40	Gear pump	1
41	Shaft coupling (engine side)	1
42	Engine axle sleeve	1
43	Shaft coupling (pump side)	1

44	Pump bracket backplate	1
45	Oil dipstick	1
46	45° joint fitting	1
47	Flat washer M24	2
48	Hex slotted nut M24x1.5	2
49	Split cotter 3.2x32	2
50	Hex bolt M8x55	4
51	Flat washer M8	4
52	Lock nut M8	4
53	Flat key-engine	1
54	Flat key- gear pump	1
55	Hex bolt M8x20	4
56	Hex bolt M8x25	4
57	Spring washer M8	12
58	Flat washer M8	12
59	Hex bolt M5x10	4
60	Spring washer M5	4
61	Flat washer M5	4
62	Hex bolt M12x25	4
63	Flat washer M12	18
64	Lock nut M12	18
65	Hex bolt M12x55	10
66	Hex bolt M14x70	1
67	Lock nut M14	1
68	Hex bolt M10x25	4
69	Spring washer M10	4
70	Flat washer M10	4
71	Hex socket screw M8x16	4
72	Split cotter 6.3x63	1
73	B-Pin 27x60	1
74	B-Pin 22x120	1
75	Lock pin 3.2	2
76	Split cotter 3.2x25	2
77	Hex bolt M12x100	3
78	Hex bolt M12x70	2
79	Hex bolt M12x80	2
80	Hex bolt M6x20	6
81	Spring washer M6	6
82	Flat washer M6	6
83	Hex socket screw M10x50	4
84	Flexible Insert (Spider)	1