

DUCAR

Diagramme de pièces *Parts diagram*



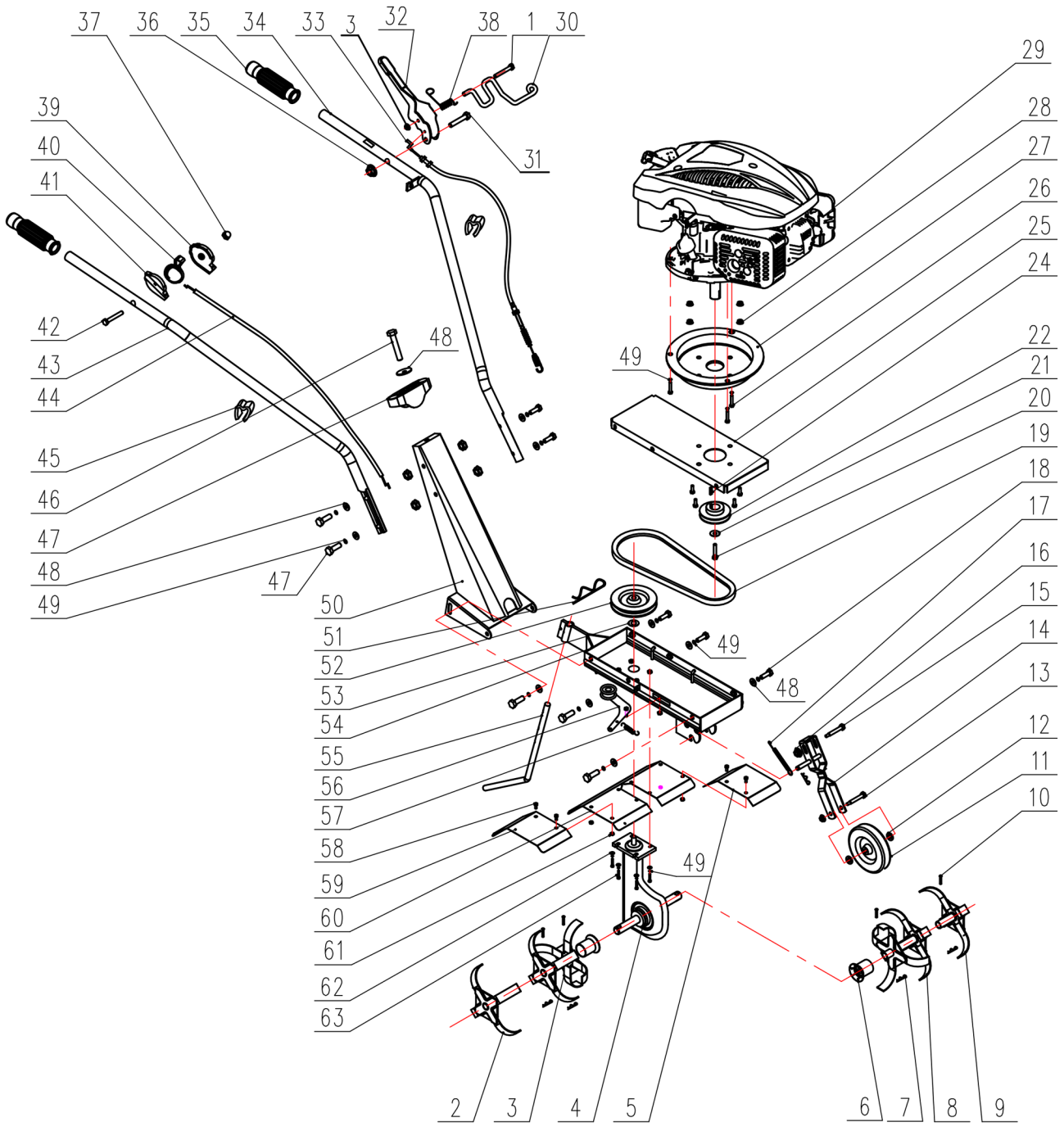
Le modèle peut différer légèrement de la photo / *The model may differ slightly from the picture*

DT36V-6

Rotoculteur

Tiller

DT36V-6



Spare parts for the DT36V-6 tiller			
NO.	Code	Description	Qty
1	91441	BOLT M5X35	1
2	666007	Right There Knife	1
3	666005	Right Rotary Knife	1
4	662001	GEAR BOX	1
5	663004-026	LIGHT FENDER	1
6	666002	Plugging Cover	2
7	816004	CIRCLIP ϕ 2	5
8	666006	Light Rotary Blade	1
9	666008	Light There Knife	1
10	91899	clevis pin with head 8X35	4
11	665003	Front wheel	1
12	94068	NYLON WASHER	2
13	665002	BOLT	1
14	665001-026	Wheel Fixator	1
15	91888	BOLT GB5782 M10X65	1
16	90057	NUT GB6182 M10	2
17	665005	SPRING	1
18	91345	BOLT M8X20	10
19	662008	BELT VZ610 GB11544	1
20	91891	BOLT BS17689 3/8UNFX30	1
21	94270	WASHER GB96 Φ 10.5X30X2.5	1
22	662007	Initiative Pulley	1
23	90063	NUT M5	1
24	296511	FLAT KEY 4.75X5.5X30	1
25	662006-026	BELT	1
26	91347	BOLT M8X30	3
27	663025	Engine Fixator	1
28	90018	NUT M8	8
29	230016010005	DVO160 ENGINE	1
30	661011	Clutch spring	1
31	91349	BOLT M8X40	1
32	661009-026	Clutch Handle	1
33	661007	Clutching Line	1
34	661005	Left handrail	1
35	661004	HANDLE COVER	2
36	90059	NUT M8	1
37	90043	NUT M6	1
38	661010	Clutch spring.	1
39	605031	Throttle switch cover(L)	1
40	605012-053	Throttle switch handle	1
41	605032	Throttle switch cover(R)	1
42	91869	BOLT M6X44	1
43	661003	Right handrail	1
44	661006	Throttle cable	1

45	605004	CLIP	2
46	91881	BOLT M8X16	5
47	661002	Handrails clip	1
48	94041	WASHER GB96 Φ 8.4X24X2	11
49	94040	WASHER GB93 8.1X2.1	17
50	661001-026	Handrails Stent	1
51	666018	CIRCLIP 3X65	1
52	662005	Driven pulley	1
53	94289	WASHER Φ 13.2 \times Φ 24 \times 1.5	1
54	662038-026	Gearbox stent	1
55	666003	Resistance pole	1
56	662003	Tension pulley	1
57	662004	SPRING	1
58	91329	BOLT M6X16	4
59	663003-026	RIGHT FENDER	1
60	663002-026	FENDER	1
61	90016	NUT M6	4
62	94057	WASHER Φ 8	4
63	91346	BOLT Φ 8.4*20*2	4