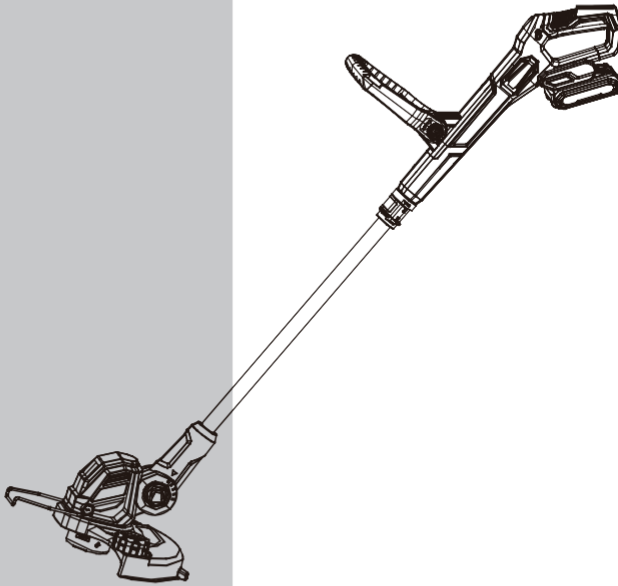


LITTLE BEAVER

INSTRUCTION MANUAL

Grass Trimmer

DUEGRT-20V-4AH



Read before use.

SPECIFICATIONS

Model No	DUEGRT-20V-4AH
Rated Voltage	20V d.c.
No-load Speed	8000r/min
Cutting Capacity	30cm
Cutting Line Type	Nylon line
Cutting Line Diameter	1.4mm
Cutting Line Length	8m
Charing Time	up to 160 min
Run Time	up to 56 min
Protection	IPX1

Battery Charger

Model No	DUACHG1-20V-2AH/4A
Rating	input:100-240V 50/60Hz 45W max output:20VDC 1.5A 34W max
Protection	IPX4

Battery

Model No	DUABAT-20V-4AH
Technical data	20V 4Ah 80Wh
Protection	IPX0

Recommended operating temperature	14 – 104°F (-10 – 40°C)
Recommended storage temperature	32 – 104°F (0 – 40°C)
Recommended charging temperature	41 – 95°F (5 – 35°C)

Feed Mechanism: Automatic, single-line-feed cutting system

⚠WARNING: Only use the Authorized battery cartridges and chargers . Use of any other battery cartridges and chargers may cause injury and/or fire.

⚠WARNING: Do not use a corded power supply such as battery adapter or portable power pack with this machine. The cable of such power supply may hinder the operation and result in personal injury.

Safety, performance, and dependability have been given top priority in the design of your cordless lawn trimmer/edge trimmer.

INTENDED USE

The cordless lawn trimmer/edge trimmer is intended to be used only by adults who have read and understood the instructions and warnings in this manual and can be considered responsible for their actions.

The product is only intended for use outdoors in a well-ventilated area. For safety reasons, the product must be adequately controlled by using two-handed operation.

When fitted with the lawn trimmer head (and appropriate guard), the product is intended for cutting long grass, pulpy weed, and similar vegetation at or about ground level. The cutting plane should be approximately parallel to the ground surface when trimming and approximately vertical when edging.

The product should not be used to cut or trim hedges, bushes, or other vegetation where the cutting plane is not parallel to the ground surface.

Do not use the product for any other purpose.

GENERAL SAFETY WARNINGS

WARNING

Read all safety warnings and all instructions. Failure to follow the warnings and instructions may result in electric shock, fire and/or serious injury.

WARNING

When using the product, the safety rules must be followed. For your own safety and that of bystanders, please read these instructions before operating the product. Please keep the instruction safe for later use.

WARNING

This product is not intended to be used by children or persons with reduced physical, mental, or sensory capabilities. Children should be adequately supervised to ensure they do not play with the product.

WARNING

Some regions have regulations that restrict the use of the product. Check with your local authority for advice.

TRAINING

- Read the instructions carefully. Be familiar with all controls and the proper use of the product.
- Never allow children or people unfamiliar with these instructions to use the product. Local regulations may restrict the age of the operator.
- Keep bystanders, children, and pets 15 m away from the area of operation. Stop the product if anyone enters the area.
- Never use the product when you are tired, ill, or under

the influence of alcohol, drugs, or medicine.

- Keep in mind that the operator or user is responsible for accidents or hazards occurring to other people or their property.

PREPARATION

- Wear full eye and hearing protection while operating the product. If working in an area where there is a risk of falling objects, head protection must be worn.
- Hearing protection may restrict the operator's ability to hear warning sounds. Pay particular attention to potential hazards around and inside the working area.
- Wear long trousers, boots, and gloves. Do not wear loose fitting clothing, short trousers, jewellery of any kind, or use with bare feet.
- Secure long hair so it is above shoulder level to prevent entanglement in moving parts.
- Before use and after any impact, check that there are no damaged parts. A defective switch or any part that is damaged or worn should be properly repaired or replaced by an authorised service centre.
- Make sure the cutting attachment is properly installed and securely fastened.
- Never operate the product unless all guards, deflectors, and handles are properly and securely attached.
- Consider the environment in which you are working. Keep the working area free from wires, sticks, stones, and debris which if struck by the cutter can become thrown objects.

BATTERY TOOL USE AND CARE

- Recharge only with the charger specified by the manufacturer. A charger that is suitable for one type of battery pack may create a risk of fire when used with another battery pack.
- Use power tools only with specifically designated battery packs. Use of any other battery packs may create a risk of injury and fire.
- When battery pack is not in use, keep it away from other metal objects, like paper clips, coins, keys, nails, screws, or other small metal objects that can make a connection from one terminal to another. Shorting the battery terminals together may cause burns or a fire.
- Under abusive conditions, liquid may be ejected from the battery; avoid contact. If contact accidentally occurs, flush with water. If liquid contacts eyes, additionally seek medical help. Liquid ejected from the battery may cause irritation or burns.

LAWN TRIMMER /EDGE TRIMMER SAFETY WARNINGS

- Do not use the machine in bad weather conditions, especially when there is a risk of lightning. This decreases the risk of being struck by lightning.
- Thoroughly inspect the area for wildlife where the machine is to be used. Wildlife may be injured by the machine during operation.
- Thoroughly inspect the area where the machine is to be used and remove all stones, sticks, wires, bones, and other foreign objects. Thrown objects can cause

personal injury.

- Before using the machine, always visually inspect to see that the cutter and the cutter assembly are not damaged. Damaged parts increase the risk of injury.
- Keep guards in place. Guards must be in working order and be properly mounted. A guard that is loose, damaged, or is not functioning correctly may result in personal injury.
- Keep all cooling air inlets clear of debris. Blocked air inlets and debris may result in overheating or risk of fire.
- Wear eye protection and ear protection. Adequate protective equipment will reduce personal injury.
- While operating the machine, always wear nonslip and protective footwear. Do not operate the machine when barefoot or wearing open sandals. This reduces the chance of injury to the feet from contact with the moving cutter.
- Always wear clothing such as trousers that covers the operator's legs while operating the machine. Contact with the moving cutter or line may cause injury.
- Keep bystanders away while operating the machine. Thrown debris can result in serious personal injury.
- Do not operate the machine above waist height. This helps prevent unintended cutter contact and enables better control of the machine in unexpected situations.
- Exercise caution when operating the machine in wet grass. Walk, never run. This reduces the risk of slipping and falling which may result in personal injury.
- Do not operate the machine on excessively steep slopes. This reduces the risk of loss of control, slipping and falling which may result in personal injury.
- When working on slopes, always be sure of your footing, always work across the face of slopes, never up or down and exercise extreme caution when changing direction. This reduces the risk of loss of control, slipping and falling which may result in personal injury.
- Keep all power cords and cables away from cutting area. Power cords or cables may be hidden in hedges or bushes and can be accidentally cut or damaged by the line or cutter.
- Keep all parts of the body away from the moving trimmer cutter or line. Do not clear material from the machine until it has been disconnected from the power source. The moving trimmer cutter or line may result in serious personal injury.
- Carry the machine with the machine switched off and away from your body. Proper handling of the machine will reduce the likelihood of accidental contact with a moving trimmer cutter or line.
- Only use replacement cutting heads and trimmer cutters or lines specified by the manufacturer. Do not replace the trimmer cutters or lines with metal wires or blades. Incorrect replacement parts may cause loss of control, breakage and injury.
- When clearing jammed material or servicing the machine, make sure the switch is off and the battery pack is removed. Unexpected starting of the machine while clearing jammed material or servicing may result in serious personal injury.

WARNING

Ensure that the line cut-off blade in guard is properly positioned and secured before each use.

TRANSPORTATION AND STORAGE

- Stop the product, remove the battery pack, and allow it to cool down before storing or transporting.
- Clean all foreign material from the product.
- Do not store or transport the product with batteries fitted, remove and secure separately. Store the product in a cool, dry, and well-ventilated place that is inaccessible to children. Keep away from corrosive agents, such as garden chemicals and de-icing salts. Do not store outdoors.
- For transportation in vehicles, secure the product against movement or falling to prevent injury to persons or damage to the product.

TRANSPORTING LITHIUM BATTERIES

Transport the battery in accordance with local and national provisions and regulations. Follow all special requirements on packaging and labelling when transporting batteries by a third party.

Ensure that no batteries can come in contact with other batteries or conductive materials while in transport by protecting exposed connectors with insulating, non-conductive caps or tape. Do not transport batteries that are cracked or leaking. Check with the forwarding company for further advice.

MAINTENANCE

WARNING

Use only original manufacturer's replacement parts, accessories, and attachments. Failure to do so can cause possible injury, contribute to poor performance, and may void your warranty.

WARNING

Servicing requires extreme care and knowledge and should be performed only by a qualified service technician. For service, we suggest you bring the product to your nearest authorized service center for repair. When servicing, use only identical replacement parts.

- Switch off and remove the battery the pack before conducting any maintenance or cleaning work.
- You may make adjustments and repairs described in this manual. For other repairs, contact the authorised service agent.
- For replacement line, use only nylon filament line of the diameter described in the specification table of this manual
- After extending new cutter line, always return the product to its normal operating position before starting.

- After each use, clean the product with a soft dry cloth. Any part that is damaged should be properly repaired or replaced by an authorised service centre.
- Check all nuts, bolts, and screws at frequent intervals for proper tightness to ensure the product is in safe working condition. Any part that is damaged should be properly repaired or replaced by an authorised service centre.
- Bring the product to an authorised service centre to replace damaged or unreadable labels.



Read and understand all instructions before operating the product, follow all warnings and safety instructions.



Wear eye protection



Wear ear protection



Wear non-slip safety footwear when using the product.



Do not use metal blade(s) on the product.



Do not expose to rain or damp condition.



Beware of thrown or flying objects. Keep all bystanders, especially children and pets, at least 15 m away from the operating area.



Waste electrical products should not be disposed of with household waste. Please recycle where facilities exist. Check with your local authority or retailer for recycling advice.

Conforms to all regulatory standards in the country in the EU where the product is purchased.

RESIDUAL RISK

Even when the product is used as prescribed, it is still impossible to completely eliminate certain residual risk factors. The following hazards may arise in use and the operator should pay special attention to avoid the following:

- Injury caused by vibration
 - Hold the product by designated handles and restrict working time and exposure.
- Injury caused by exposure to noise
 - Wear hearing protection and limit exposure.
- Injury caused by flying debris.
 - Wear eye protection at all times.

RISK REDUCTION

It has been reported that vibrations from handheld tools may contribute to a condition called Raynaud's Syndrome. Symptoms may include tingling, numbness and blanching of the fingers, usually apparent upon exposure to cold. Hereditary factors, exposure to cold and dampness, diet, smoking and work practices are all thought to contribute to the development of these symptoms. There are measures that can be taken by the operator to possibly reduce the effects of vibration:


- Keep your body warm in cold weather. When operating the product, wear gloves to keep the hands and wrists warm. It is reported that cold weather is a major factor contributing to Raynaud's Syndrome.
- After each period of operation, exercise to increase blood circulation.
- Take frequent work breaks. Limit the amount of exposure per day.


If you experience any of the symptoms of this condition, immediately discontinue use and see your physician.


⚠ WARNING

Injuries may be caused, or aggravated, by prolonged use of a tool. When using any tool for prolonged periods, ensure you take regular breaks.

The following signal words and meanings are intended to explain the levels of risk associated with the product:

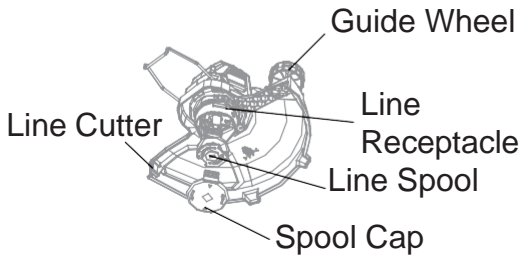
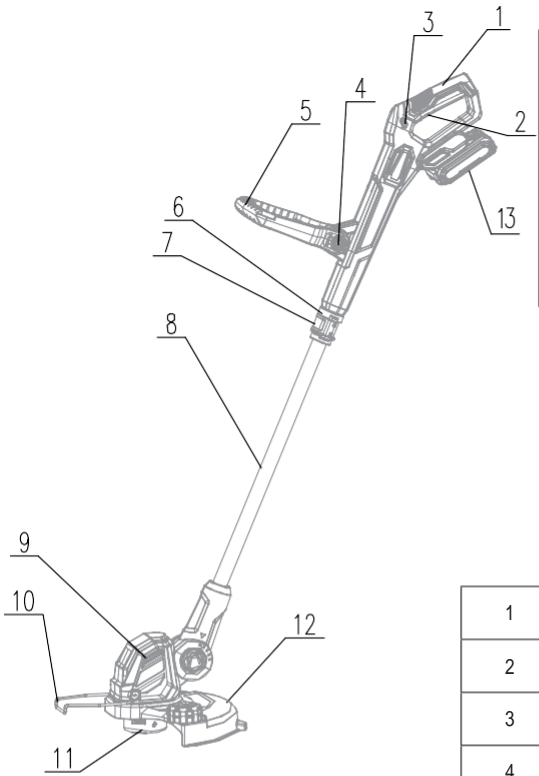
 **DANGER** Indicates an imminently hazardous situation, which, if not avoided, will result in death or serious injury.

 **WARNING** Indicates a potentially hazardous situation, which, if not avoided, could result in death or serious injury.

 **CAUTION** Indicates a potentially hazardous situation, which, if not avoided, may result in minor or moderate injury.

CAUTION (Without Safety Alert Symbol) Indicates a situation that may result in property damage.

KNOW YOUR UNIT



1	Handle
2	Switch Trigger
3	Safety Switch
4	Auxiliary Handle Button
5	Auxiliary Handle
6	Pipe Sleeve
7	Telescoping Lock Clip
8	Aluminium Pipe
9	Motor Housing
10	Flower Protection
11	Trimmer Head
12	Guard
13	Battery Pack

ASSEMBLY

1. Unpack all parts and lay them on a flat, stable surface:
2. Remove all packing materials and shipping devices, if applicable.
3. If you find that parts are missing or show damage do not use the product but contact your dealer. Using an incomplete or damaged product represents a hazard to people and property.
4. Ensure that you have all the accessories and tools needed for assembly and operation. This also includes suitable personal protective equipment.



WARNING:



Wear protective gloves for this assembly work and always lay the product on a flat and stable surface while assembling.



Follow the assembly instructions step-by-step and use the pictures provided as a visual guide to easily assemble the product!

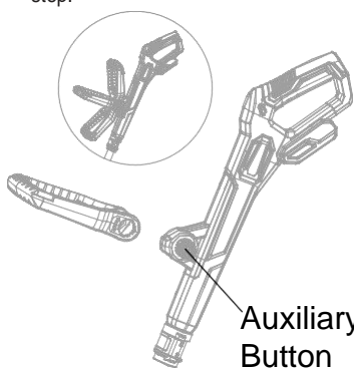
Do not insert the battery pack before the power tool is completely assembled or adjusted!

MOUNTING THE AUXILIARY HANDLE

Keep the auxiliary handle button being pressed, fix the auxiliary handle to the trimmer

Release the button until achieve you satisfied position.

Make sure the auxiliary handle is well engaged before next step.



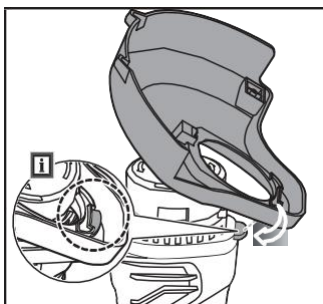
Auxiliary Handle Button

MOUNTING THE GUARD

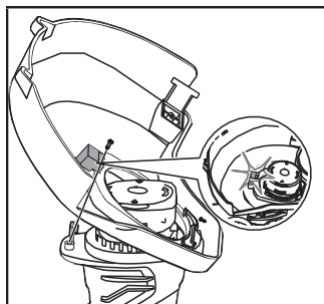


WARNING:

To reduce the risk of injury to persons, do not operate without guards in place.



Attach the front part of the safety guard to the trimmer head.



Attach the back part of the safety guard to the trimmer head until the latch clicks into place.

Secure the guard to the line trimmer with the supplied T20 screw.

INSTALLING THE BATTERY PACK

Insert the charged battery to the battery docking port.

Ensure the battery is well seated (Fig.4).

To remove the battery from the machine, press the battery unlock button and pull the battery out.



NOTE:

Using unsuitable batteries can lead to malfunctions or damage the machine.

OPERATION



WARNING:

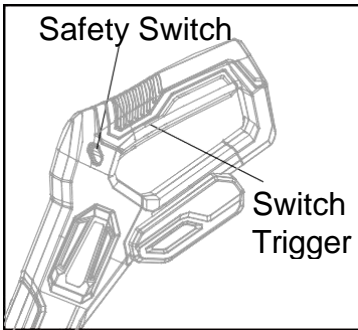
Inspect the tool for complete installation. Any missing, damaged or misplace may cause serious injury.

Wear eye protection, long trousers and stout shoes at all times while operating the power tool.

SWITCHING ON/OFF

Keep the safety switch being pressed at first. Then press the switch trigger to switch the product on. Release the safety switch once the product is running.

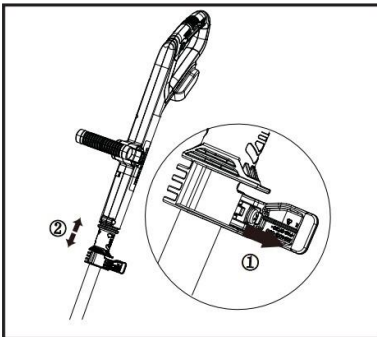
Release the switch trigger to switch the product off



ADJUSTING THE LENGTH OF TOOL

Unlock the telescoping lock clip and stretch the aluminium pipe to your desired length.

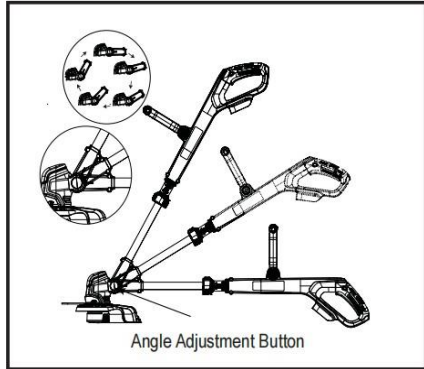
Lock again when finishing your adjustment



ADJUSTING ANGLE OF TRIMMER HEAD

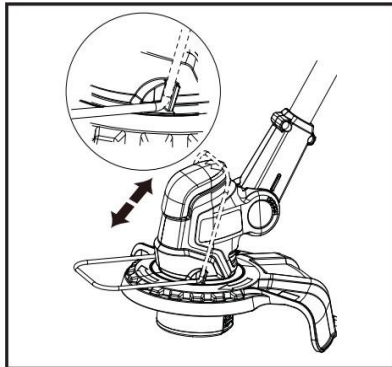
Keep pressing the angle adjustment button, hold the body of trimmer and lead it to ideal position. Judge the well engagement from a sound of "click".

Five optional angles (0-65°) set for meeting your using requirement .



USING THE FLOWER PROTECTION

Switch the flower protection to the working state by pulling down and clamping it into slot. When the flower protection is not in use, reset it upside .



EDGING TRIMMING

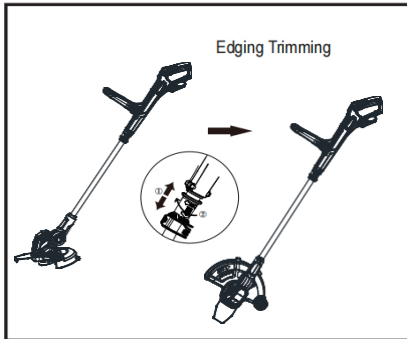


WARNING:

Risk of Eye Injury. Use Safety Glasses or Similar Eye Protection.

When being used as an Edger, stones, pieces of metal and other objects can be thrown out at high speed by the line. The trimmer and guard are designed to reduce the danger. However, **MAKE SURE** that other persons and pets are at least 100 feet (30m) away.

1. Remove the battery from the trimmer.
2. Press the angle adjustment knob and simultaneously turn the head of the trimmer clockwise until it stops.
2. Release the telescoping lock clip
3. Hold the metal shaft and rotate the lower housing 90°.
4. Lock the telescoping lock clip
5. Insert the battery, use guide wheel to operate edging.



GENERAL TRIMMING INSTRUCTIONS

Stand in the operating position. Stand up straight. Do not bend over. Keep feet apart and firmly planted.

Move the trimmer left and right, keeping it well away from the body. Cut all grass from top to down.

Inspect the working area and remove all debris that may be entangled in the trimmer head. Also remove any objects that product may throw during cutting.

If the trimmer head is wrapped around with grass, stop the trimmer and clean up.

Avoid trees, flowers, stones, walls and other objects which can cause the line to break.

Check and feed the line regularly to maintain full cutting width and performance.

Some line breakage will occur from:

- Entanglement with foreign matter
- Normal line fatigue
- Attempting to cut thick vegetation
- Forcing the line into objects such as walls or fence posts

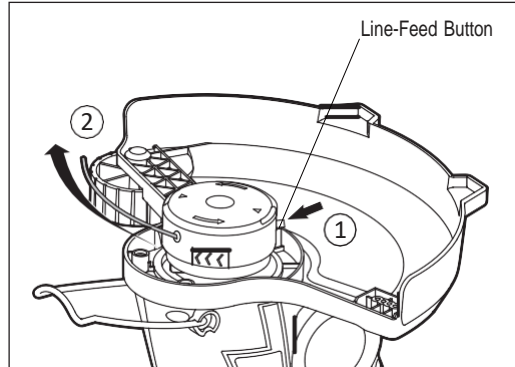
LINE FEEDING

1) Automatic Line Feeding

The trimmer is equipped with a automatic feeding system. The system feeds line with every press of the switch trigger.

2) Manual Line Feeding

Press the line-feed button and adjust the line to desired length



1. Press the button ①.
2. Pull the line out ②.

MAINTENANCE



WARNING:

Remove the battery pack before maintenance!

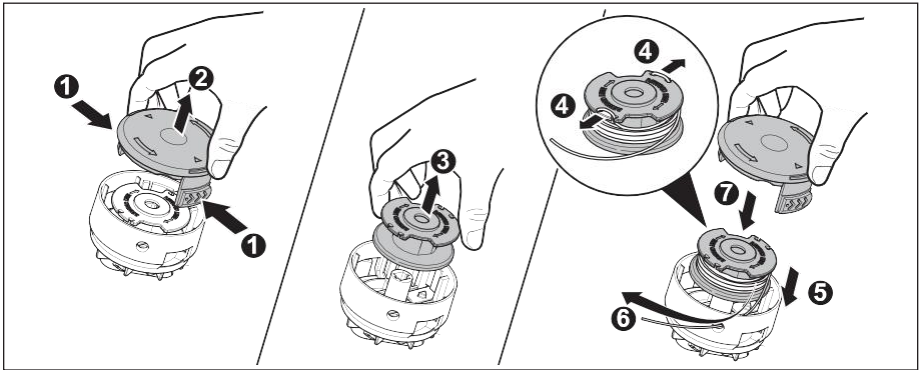
Wear protective gloves and clothing!

Always wear protective equipments such as gloves and eye protections to reduce the risk of injury when operating this unit.

Only perform repairs and maintenance work according to these instructions! All further works must be performed by a qualified specialist!

When servicing use only identical replacement parts. Use of any other accessory or attachment may increase the risk of injury.

REPLACING THE LINE SPOOL



⚠WARNING: Risk of injuries due to the cutting tool. Only adjust the device with the motor switched off, the battery removed, and the cutting tool at a standstill. Do not reach into the area of the rotating line. Always remove the battery to working on the device.

NOTICE: USE ONLY 1.4mm DIAMETER ROUND NYLON

MONOFILAMENT LINE. Do not use serrated or heavier gauge line, as they will overload the motor and cause overheating.

NOTICE: Before you begin trimming, only use the appropriate type of cutting line. Only use authorized replacement spool.

1. Firmly press both of the engaging lugs of the spool cap together at the same time, ① and pull the cap off ②.
2. Remove the line spool ③. If necessary, remove any dirt.
3. Extend the line out of the new spool fitting ④.
4. Insert the spool in the line receptacle ⑤.
5. Thread the end of the line of the coil through the eye of the thread receptacle ⑥.
6. Firmly press both of the engaging lugs of the spool cap together at the same time, and push the cap on to the spool until it engages ⑦.

CLEANING

Switch the product off, pull out the battery pack from the product.

Use a small brush to clean the outside of the unit. Do not use strong detergents. Household cleaners that contain aromatic oils such as pine and lemon, and solvents such as kerosene, can damage plastic. Wipe off any moisture with a soft cloth.



NOTE:

If the trimmer head is blocked by foreign objects during operation, stop the product, wait till the product stops entirely, then remove the foreign objects and clean the trimmer head. Clean moving parts may result in hazardous injury.

TRANSPORT

- Clean the product as described above.
- Always carry the product by its handle.
- Protect the product from any heavy impact or strong vibrations which may occur during transportation in vehicles.
- Secure the product to prevent it from slipping or falling over, damage or injury.

STORAGE

- Clean the product as described above.
- Store the product and its accessories in a dark, dry, frost-free, well-ventilated place.
- Always store the product in a place that is inaccessible to children. The ideal storage temperature is between 0°C and 40°C.
- We recommend using the original package for storage or covering the product with a suitable cloth or enclosure to protect it against dust.



NOTE:

To prolong battery life, never store battery pack in a completely discharged condition. Make sure the battery pack is charged once per year or when the LED indicator shows only one light.

DISPOSAL

Waste product should not be disposed of with household waste. Please recycle where facilities exist.

Check with your local authority or retailer for recycling advice.

During the operation, the grasses or weeds may be cut by the unit, users should clean these objects to protect environment.



Electrical products should not be discarded with household products. Used electrical products must be collected separately and disposed of at collection points provided for this purpose. Talk with your local authorities or dealer for advice on recycling.

TROUBLESHOOTING

PROBLEM	CAUSE	SOLUTION
The device switches off.	<ol style="list-style-type: none">1. The battery pack is too hot.2. The battery pack is discharged.3. The temperature of the device (electronics) is too high.	<ol style="list-style-type: none">1. Allow the battery pack to cool.2. Charge the battery pack.3. Allow the device to cool and if necessary, clean the ventilation slots.
The device will not turn on.	<ol style="list-style-type: none">1. The battery pack is discharged.2. battery pack temperature too high or too low.3. The battery pack is defective.	<ol style="list-style-type: none">1. Charge the battery pack.2. Allow the battery pack to cool down or heat up.3. Replace the battery pack.
Automatic line adjustment does not work.	<ol style="list-style-type: none">1. The line spool is empty.2. The line spool is dirty.3. The line has torn off and is pulled into the line spool. The line has become caught in the spool.4. The line is melted onto the spool.	<ol style="list-style-type: none">1. Replace the line spool.2. Use a brush to remove dirt from the parts.3. Take off the line spool; if necessary, rewind the line by gently pulling, and then insert the spool.4. Remove the melted line part; if necessary, rewind the line by gently pulling and insert the spool.
The line breaks off too frequently.	The line comes into contact too frequently with fixed objects, e.g. fences, trees, etc.	Use the plant protection guard.
Strong vibrations	Device fasteners have come loose.	Consult technical support.