

# DUCAR

## Diagramme de pièces *Parts diagram*

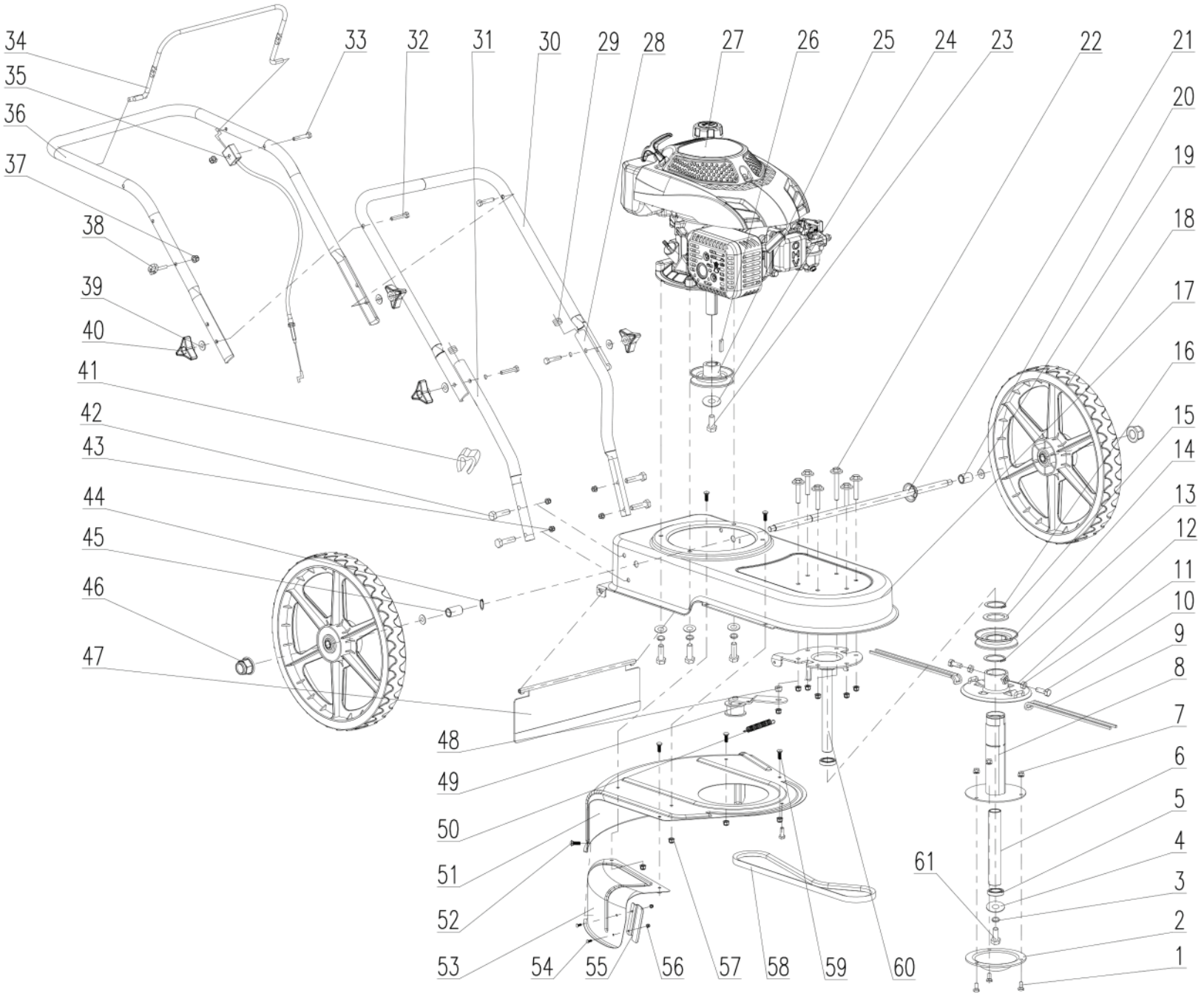


Le modèle peut différer légèrement de la photo / *The model may differ slightly from the picture*

## DMT56

### Tondeuse à fil *Walk-behind line trimmer*

**DMT56**



| Spare parts for the DMT56 High-wheeled walk-behind line trimmer |              |                     |     |
|---|--------------|---------------------|-----|
| NO.   | Code         | Description         | Qty |
| 1   | 90058        | NUT M6              | 3   |
| 2   | 624015       | BUMPER              | 1   |
| 3   | 94040        | SPRING WASHER       | 1   |
| 4   | 96812        | FLAT GASKET         | 1   |
| 5   | 624012       | BEARINGS            | 2   |
| 6   | 624013       | JACKSHAFT           | 1   |
| 7   | 91325        | BOLT M6*12          | 4   |
| 8   | 624016       | SHAFT SLEEVE        | 1   |
| 9   | 622001       | TRIMMER LINE        | 2   |
| 10  | 91346        | BOLT M8*25          | 2   |
| 11  | 90011        | NUT M8              | 2   |
| 12  | 624014       | PLATE               | 1   |
| 13  | 94096        | WASHER              | 1   |
| 14  | 624011       | PULLEY              | 1   |
| 15  | 94097        | SPACER              | 1   |
| 16  | 94095        | WASHER              | 1   |
| 17  | 621001-175   | MAIN FRAME          | 1   |
| 18  | 624001       | WHEEL               | 2   |
| 19  | 94046        | WASHER              | 2   |
| 20  | 624003       | BUSHING             | 1   |
| 21  | 624002       | REAR AXLE           | 1   |
| 22  | 91979        | BOLT M8*25          | 6   |
| 23  | 91891        | BOLT                | 1   |
| 24  | 94042        | WASHER              | 1   |
| 25  | 624005       | ENGINE PULLEY       | 1   |
| 26  | 296514       | CRANKSHAFT FLAT KEY | 1   |
| 27  | 220016010051 | ENGINE DVO160       | 1   |
| 28  | 623006-206   | LEFT LOWER HANDLE   | 1   |
| 29  | 605006       | STEM                | 2   |
| 30  | 623002-206   | INNER HANDLE BAR    | 1   |
| 31  | 623005-206   | RIGHT LOWER HANDLE  | 1   |
| 32  | 91868        | BOLT M8*45          | 4   |
| 33  | 91870        | BOLT M6*33          | 1   |
| 34  | 623003-010   | CHOKE LEVER         | 1   |
| 35  | 623004       | ENGINE CABLE        | 1   |
| 36  | 623001-206   | OUTER HANDLE BAR    | 1   |
| 37  | 90061        | NUT M6              | 2   |
| 38  | 605009       | PULL CORD GUIDE     | 1   |
| 39  | 94041        | WASHER              | 7   |
| 40  | 605098-206   | TRIANGULAR KNOB     | 4   |
| 41  | 605221       | WIRE CLIP           | 1   |
| 42  | 91347        | BOLT M8*30          | 4   |
| 43  | 90059        | NUT M8              | 10  |
| 44  | 94049        | WASHER              | 1   |
| 45  | 624004       | WHEEL SPACER        | 1   |

|    |            |                       |   |
|----|------------|-----------------------|---|
| 46 | 90057      | NUT M10*1.5           | 2 |
| 47 | 621002     | REAR GUARD            | 1 |
| 48 | 624009     | TENSION WHEEL BUSHING | 1 |
| 49 | 624008     | BELT TENSIONER        | 1 |
| 50 | 624007     | BELT TENSIONER SPRING | 1 |
| 51 | 622003-010 | LARGE GUARD           | 1 |
| 52 | 92068      | BOLT M6*10            | 2 |
| 53 | 622004-010 | LATERAL GUARD         | 1 |
| 54 | 91436      | BOLT M5*8             | 2 |
| 55 | 622002     | TRIMMER LINE CUTTER   | 1 |
| 56 | 90063      | NUT M5                | 2 |
| 57 | 90060      | NUT M6                | 4 |
| 58 | 624006     | BELT                  | 1 |
| 59 | 91406      | BOLT M6*14            | 4 |
| 60 | 624010     | REAR SHAFT HOUSING    | 1 |
| 61 | 91345      | BOLT M8*20            | 1 |