

DUCAR

Diagramme de pièces *Parts diagram*

À PARTIR DE NOVEMBRE 2019 / FROM NOVEMBER, 2019



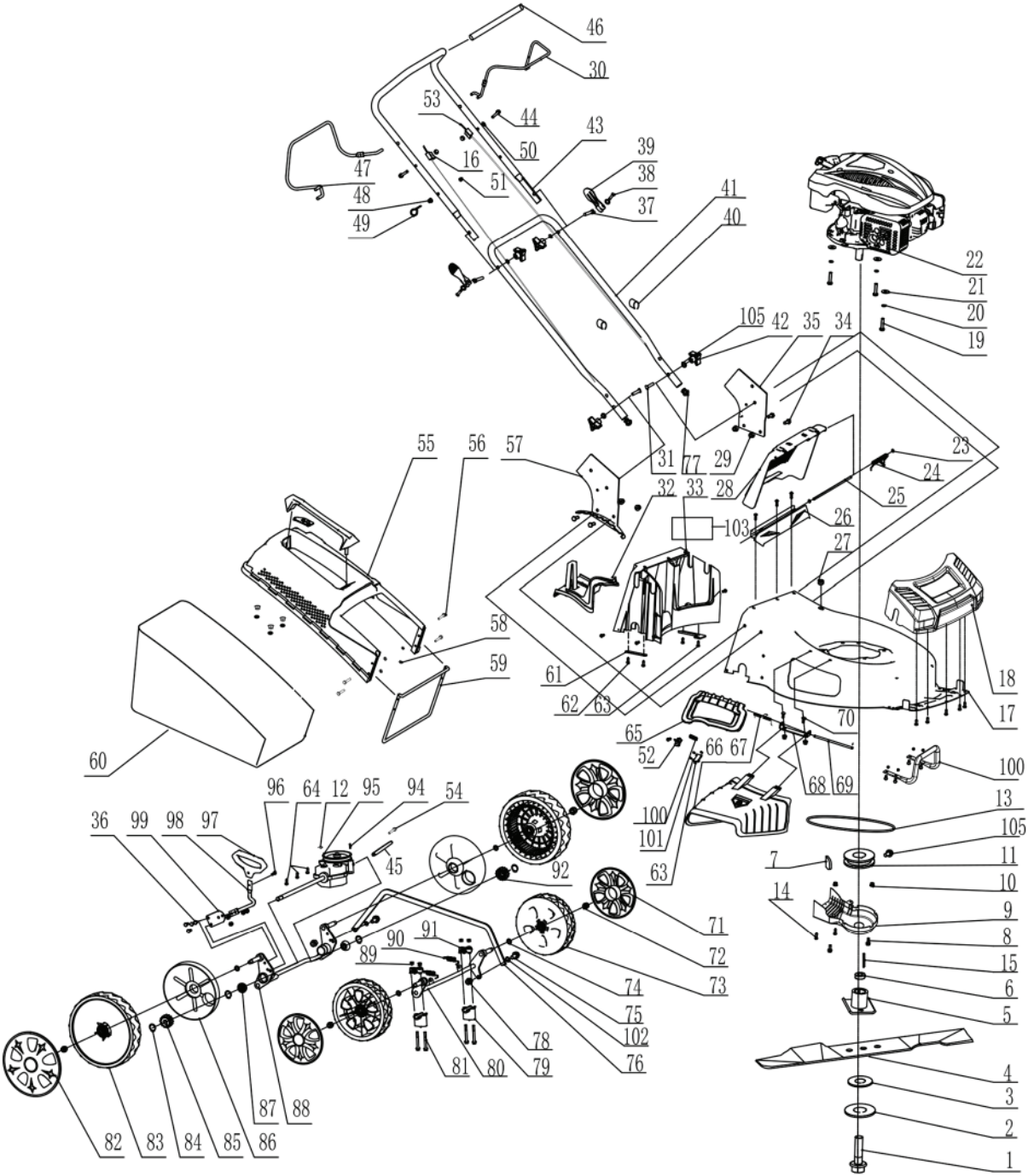
Le modèle peut différer légèrement de la photo / *The model may differ slightly from the picture*

DM53S

Tondeuse

Mower

DM53S



Spare parts for the DM53S mower			
NO.	Code	Description	Qty
1	91221	BOLT BS1768 3/8-24UNFX38	1
2	94042	FLAT WASHER	1
3	602001	WASHER Φ 35	1
4	602006	SLING BLADE	1
5	602003	BLADE ADAPTER	1
6	602024	BUSH (BLADE ADAPTER)	1
7	296501	KEY	1
8	91304	BOLT GB 92140 M6 \times 16	2
9	606111	BELT COVER	1
10	90060	BOLT M6	4
11	606011	VARIABLE SPEED PULLEY ACTIVELY	1
12	606089	TENSION TENSION SPRING	1
13	606064	BELT V Z787 GB11544	1
14	92139	SCREW KAL50 \times 12	8
15	296510	KEY 4.75 \times 5.5 \times 35	1
16	605022	MOTOR BRAKE CABLE	1
17	601007-175	DECK	1
18	601012	DECORATIVE COVER (FRONT)	1
19	91347	BOLT GB5787 M8 \times 30	3
20	94040	SPRING WASHER	3
21	94041	WASHER GB96 Φ 8.4 \times 24 \times 2	9
22	220017310018	ENGINE	1
23	94036	CIRCLIP	3
24	604001	TORSIONAL SPRING (REAR COVER)	1
25	604150	AXLE(REAR COVER)	1
26	604021	PLASTIC PART	1
27	601005	CABLE PROTECTION PIPE Φ 16	1
28	604005	REAR COVER	1
29	90059	NUT GB6183 M8	4
30	605010-175	FLAMEOUT LEVER	1
31	91868	BOLT M8 \times 45	2
32	601171	MULCHING PLUG	1
33	604151	BACK PANEL	1
34	91960	BOLT M8 \times 20	3
35	601164	LEFT HANDLE SUPPORT	1
36	91404	BOLT GB5783 M6 \times 14	4
37	91876	FIXED BOLT M8 \times 68	2
38	91873	FIXED PIN Φ 6	2
39	605053-175	HANDLE FAST FIX	2
40	605221	CLIP	2
41	605019	LOWER HANDLE	1
42	605098-175	TRIANGLE KNOB	4
43	605008	UPPER HANDLE	1
44	91878	BOLT M6 \times 40	1

45	599601	THE METAL CLIP	1
46	605007-053	SOFT GRIP	1
47	605015-175	CLUTCH LEVER	1
48	90016	NUT M6	8
49	605009	ROPE GUIDE SUPPORT	1
50	94025	WASHER $\Phi 6.4 \times \Phi 18 \times 1.6$	4
51	90061	NUT M6	3
52	604106	SIDE COVER LOCKING BUCKLE.	1
53	605169	TRACTION CABLE	1
54	91405	BOLT M6X8	2
55	604144-016	GRASS ON THE BOX COVER	1
56	92070	SCREW M6X14	4
57	601173	RIGHT HANDLE SUPPORT	1
58	90063	NUT M5	4
59	604028	FRAME	1
60	604029-002	INFERIOR PART	1
61	606036	REAR AXLE PLANK (R)	2
62	92069	SCREW ST6.3X16F	7
63	92022	BOLT ST2.9X9F	4
64	92140	SCREW KAL50x16	3
65	604024	SIDE DISCHARGE COVER	1
66	604023	SIDE DISCHARGE CHUTE	1
67	604026	TORSIONAL SPRING	1
68	604027	BRACKET(SIDE DISCHARGE COVER)	1
69	604025	AXLE(SIDE DISCHARGE COVER)	1
70	91406	BOLT M6X14	2
71	606007-198	WHEEL COVER	2
72	90057	NUT M M10*1.5	4
73	606028	FRONT WHEEL	2
74	94046	WASHER	4
75	91884	FIXED BOLT	2
76	603011	HEIGHT ADJUSTMENT LINK BAR	1
77	605006	PUSH DOWN THE PLUG	2
78	90058	NUT M6	6
79	606029	HOLD HOOP	2
80	606031	FRONT WHEEL AXLE	1
81	91339	BOLT M6x50	4
82	606033-198	WHEEL COVER	2
83	606032	REAR WHEEL	2
84	94049	CIRCLIP $\Phi 12$	4
85	606013	RIGHT GEAR ASSY	1
86	606034	INNER WHEEL COVER	2
87	606010	BALL BEARING $\Phi 12.7 \times \Phi 28.6$	2
88	606040	REAR WHEEL AXLE	1
89	90064	BOLT M6	4
90	603010	HEIGHT ADJUSTER SPRING	2

91	606030	HOLD HOOP	2
92	606012	LEFT GEAR ASSY	1
93	91870	BOLT M6*33	2
94	606021	GEAR PIN(TRANSMISSION) GB119.2	2
95	606169	TRANSMISSION	1
96	92068	SCREW GB818-H M6*10	1
97	603033	HEIGHT ADJUSTER COVER	1
98	603009	HEIGHT ADJUSTER LEVEL	1
99	603002	SPRING LAMINATION(HEIGHT ADJUSTER)	1
100	604108	SIDE ROW LATCHING SPRING.	1
101	604107	CLOSED POSITION COVER PLATE.	1
102	94058	GASKET Φ 8.4*16*1.4	2
103	601141	DIAL THE GRASS PLATE	1