

# DUCAR

## Diagramme de pièces *Parts diagram*

À PARTIR DE NOVEMBRE 2019 / FROM NOVEMBER, 2019



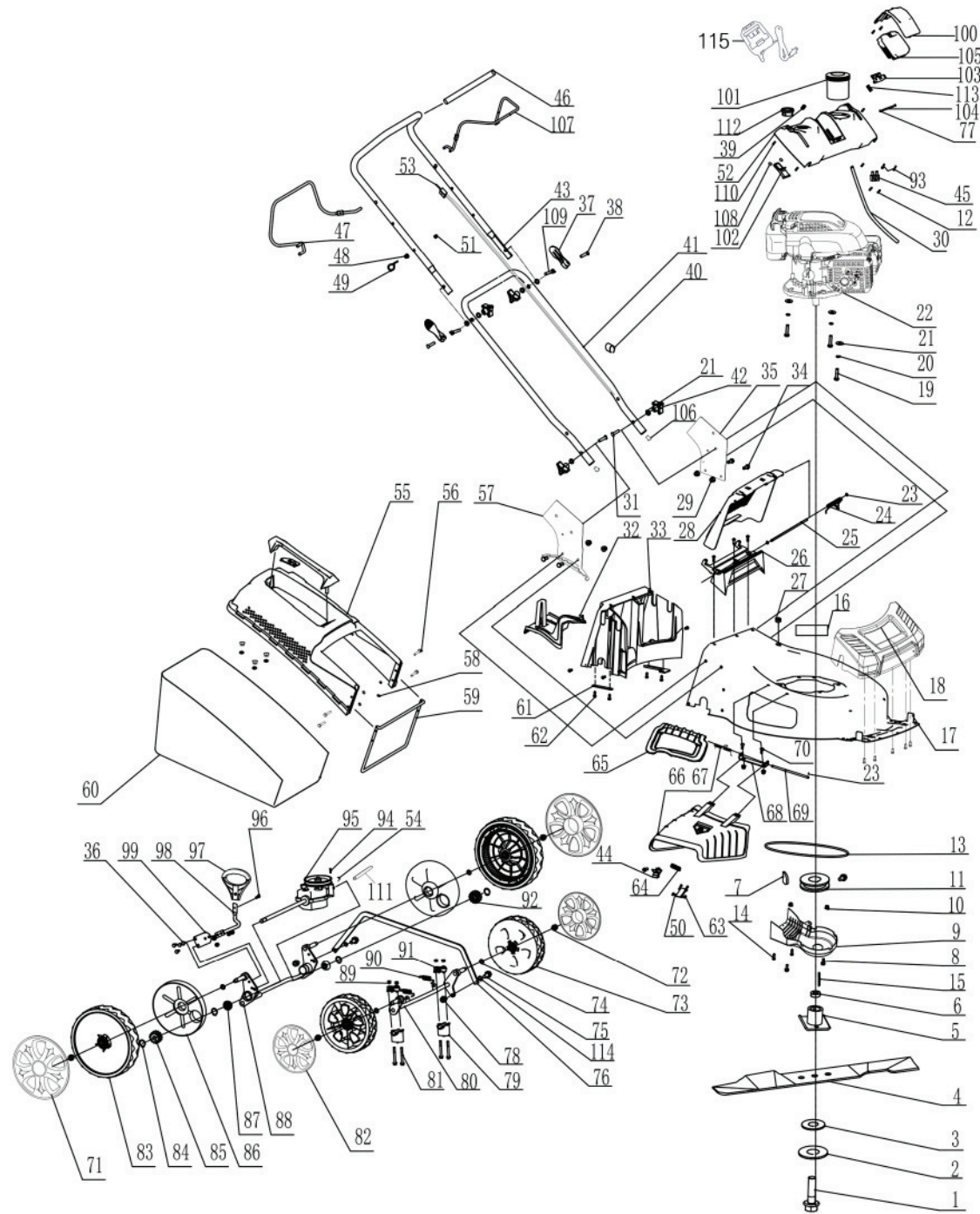
Le modèle peut différer légèrement de la photo / *The model may differ slightly from the picture*

# DM53SE

## Tondeuse

### *Mower*

# DM53SE



Spare parts for the DM53SE mower			
NO.	Code	Description	Qty
1	DUP91221	BOLT - 24 UNFX38 3/8	1
2	DUP94042	DISH WASHER	1
3	DUP602001	THE BLADE ISOLATION PAD $\Phi$ 35	1
4	DUP602006	THE BLADE	1
5	DUP602003	KNIFE HOLDER	1
6	DUP602024	KNIFE SEAT CUSHION SETS OF	1
7	DUP296501	WOODRUFF KEY	1
8	DUP91304	BOLT WITH DISC M6 X 16	2
9	DUP606111	THE BELT COVER	1
10	DUP90060	NUT M6	4
11	DUP606011	VARIABLE SPEED DRIVING BELT PULLEY	1
12	DUP92022	SELF TAPPING SCREW	2
13	DUP606064	V BELT	1
14	DUP92139	SELF-TAPPING SCREW KAL50x12	8
15	DUP296510	FLAT KEY	1
16	DUP601141	DIAL THE GRASS PLATE	1
17	DUP601007-175	CUT THE GRASS PLATE	1
18	DUP601012	HOOD	1
19	DUP91347	BOLT WITH DISC M8 X 30	3
20	DUP94040	SPRING WASHER	3
21	DUP94041	GASKET PH $\phi$ 8.4 * 24 * 2	7
22	DUP220017320003	ENGINE DV173E	1
23	DUP94036	OPEN RING	3
24	DUP604001	TORSION SPRING FOR REAR COVER PLATE	1
25	DUP604150	HOUGAIBAN SHAFT	1
26	DUP604021	CHASSIS BLOCK	1
27	DUP601005	LAP-ROPE SHEATH. $\phi$ 16	1
28	DUP604005	HOUGAIBAN	1
29	DUP90059	NUT M8	5
30	DUP605201	LITHIUM BATTERY WIRING HARNESS	1
31	DUP91868	BOLT M8 * 45	2
32	DUP601171	AFTER THE PLUG	1
33	DUP604151	AFTER THE AIR DUCT	1
34	DUP91960	BOLT WITH DISC M8 X 20	4
35	DUP601164	LEFT ARM REST	1
36	DUP91404	BOLT M6X14	4
37	DUP605053-175	QUICKLY LOCK THE HANDLE	2
38	DUP91873	LOCKING PIN SHAFT $\phi$ 6	2
39	DUP605082	LITHIUM ELECTRIC LIMIT SPRING	1
40	DUP605221	WIRE CLIP	1

41	DUP605019	THE PUSH ROD	1
42	DUP605098-175	TRIANGLE KNOB	4
43	DUP605039	THE PUSH ROD	1
44	DUP604106	SIDE COVER LATCH	1
45	DUP605035	LINE PRESSING BLOCK	1
46	DUP605007-053	THE PUSH ROD BUSHING	1
47	DUP605015-175	DRIVE ROD	1
48	DUP90016	DISC NUT M6	1
49	DUP605009	PULL ON THE ROPE TIED TO	1
50	DUP604107	LOCKING BIT COVER PLATE	1
51	DUP90061	CAP NUT M6	2
52	DUP605065	LITHIUM BATTERY STARTUP PANEL	1
53	DUP605058	DRIVE THE FLAMEOUT DOUBLE CABLE	1
54	DUP606089	TENSION TENSION SPRING	1
55	DUP604144-016	GRASS ON THE BOX COVER	1
56	DUP92070	CROSS SLOTTED HEAD SCREW M6X14	4
57	DUP601173	RIGHT ARM REST BRACKET ASSEMBLY	1
58	DUP90063	NUT M5	4
59	DUP604028	GRASS BOX BRACKET	1
60	DUP604029-002	A STRAW BAG UNDER A STRAW BOX	1
61	DUP606036	REAR AXLE RIGHT PLATEN	2
62	DUP92069	SELF-TAPPING SCREW ST6.3X16F	15
63	DUP92084	SELF-TAPPING SCREW ST3.0*12	4
64	DUP604108	SIDE ROW LATCHING SPRING	1
65	DUP604024	THE SIDE COVER	1
66	DUP604023	SIDE OF THE EXHAUST DUCT	1
67	DUP604026	TWISTED SPRING FOR SIDE COVER PLATE	1
68	DUP604027	SIDE COVER BRACKET	1
69	DUP604025	SIDE COVER PLATE SHAFT	1
70	DUP91406	BOLT M6X14	2
71	DUP606033-198	WHEEL COVER	2
72	DUP90057	NUT M10 * 1.5	4
73	DUP606028	PUSH WHEEL	2
74	DUP94046	THE WAVE WASHER	4
75	DUP91884	CONNECTING ROD FIXING BOLT	2
76	DUP603011	RAISE THE CONNECTING ROD	1
77	DUP94062	OPEN RING	2
78	DUP90058	NUT M6	6
79	DUP606029	THE FRONT AXLE IS FIXED ON THE LOWER SEAT	2
80	DUP606031	FRONT AXLE	1
81	DUP91339	BOLT WITH DISC M6 X 50	4
82	DUP606007-198	WHEEL COVER	2

83	DUP606032	SINCE THE GO ROUND	2
84	DUP94049	SHAFT WITH ELASTIC OPEN COLLAR $\Phi$ 12	2
85	DUP606013	RIGHT OUTPUT GEAR	1
86	DUP606034	DUSTPROOF WHEEL COVER	2
87	DUP606010	NON-STANDARD BEARINGS $\Phi$ $\Phi$ 12.7 * 28.6	2
88	DUP606040	AFTER THE SHAFT	1
89	DUP90064	NUT M6	4
90	DUP603010	THE HIGH TENSION SPRING	2
91	DUP606030	THE FRONT AXLE IS FIXED ON THE UPPER SEAT	2
92	DUP606012	LEFT OUTPUT GEAR	1
93	DUP91870	SHAPED BOLT M6*33	2
94	DUP606021	DRIVE GEAR PIN	2
95	DUP606169	GEARBOX	1
96	DUP92068	CROSS SLOTTED HEAD SCREW M6*10	1
97	DUP603033	TURN UP THE GLOVES	1
98	DUP603009	RAISE LEVER	1
99	DUP603002	TURN UP THE SPRING BLADE	1
100	DUP605066	LITHIUM BATTERY COVER	1
101	DUP605067	DRINK HOLDER	1
102	DUP605069	LIMIT BLOCK FOR LITHIUM BATTERY	1
103	DUP605070	THE 12 V WIRING BLOCK	1
104	DUP605072	LITHIUM BATTERY COVER SHAFT	1
105	DUP605134	LITHIUM BATTERY PACK	1
106	DUP605006	PUSH DOWN THE PLUG	2
107	DUP605010-175	FLAMEOUT LEVER	1
108	DUP605081	A MAGNET	2
109	DUP91876	QUICK LOCK BOLT M8X68	2
110	DUP92085	SELF-TAPPING SCREW ST6.3*32	4
111	DUP599601	THE METAL CLIP	1
112	DUP605075	START SWITCH	1
113	DUP605142	BATTERY DOOR RESET SPRING	1
114	DUP94058	GASKET $\Phi$ 8.4 * 16 * 1.4	2
115	DUP611007	BATTERY CHARGER	1