

# DUCAR

## Diagramme de pièces *Parts diagram*



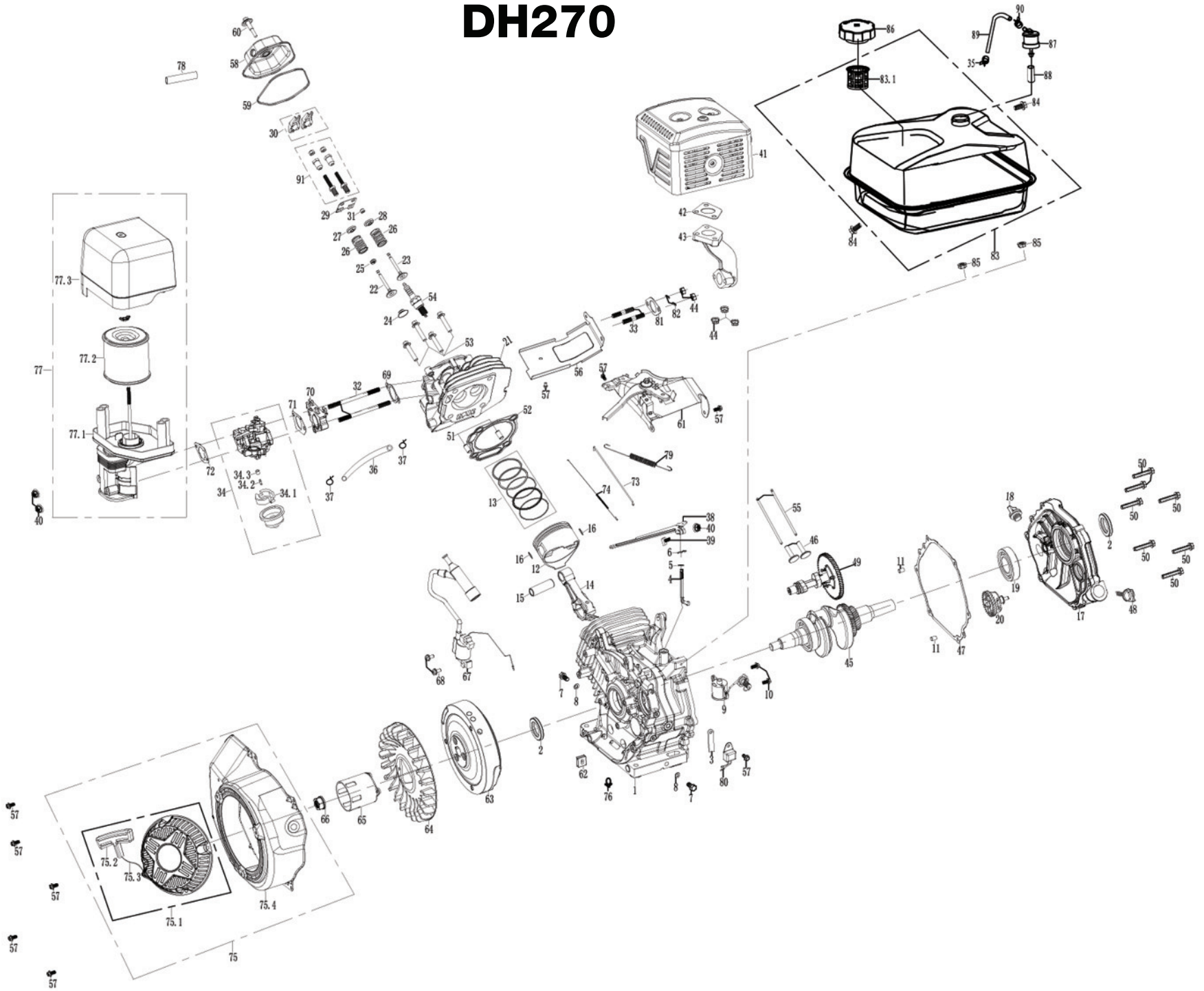
Le modèle peut différer légèrement de la photo / *The model may differ slightly from the picture*

# DH270

## Moteur

### *Engine*

# DH270



| Spare parts for the DH270 gasoline engine |          |   |          |
|---|----------|---|----------|
| NO.                                       | Code     | Description   | Quantity |
| 1   | 250201   | CRANKCASE   | 1        |
| 2   | 93509    | OIL SEAL  | 2        |
| 3   | 599601   | CLIP,WIRE HARNESS                                       | 1        |
| 4   | 253901   | SHAFT,GOVERNOR ARM                                      | 1        |
| 5   | 96806    | WASHER,GOVERNOR ARM SHAFT                               | 1        |
| 6   | 263902   | PIN,LOCK  | 1        |
| 7   | 91817    | BOLT, DRAIN PLUG  | 2        |
| 8   | 94004    | WASHER,DRAIN PLUG                                       | 2        |
| 9   | 265102   | SWITCH ASSEMBLY,OIL LEVEL                               | 1        |
| 10  | 91329    | BOLT M6X16  | 2        |
| 11  | 240901   | DOWEL PIN,CASECOVER                                     | 2        |
| 12  | 251202   | PISTON  | 1        |
| 13  | 251602   | SCRAPER RING SET ,PISTON                                | 1        |
| 14  | 251502   | ROD ASSEMBLY., CONNECTING                               | 1        |
| 15  | 255501   | PIN, PISTON   | 1        |
| 16  | 241301   | CLIP, PISTON  | 2        |
| 17  | 250101   | COVER ASSEMBLY, CRANKCASE                               | 1        |
| 18  | 261401   | OIL PLUG  | 1        |
| 19  | 93012    | BALL BEARING  | 1        |
| 20  | 254301   | GOVERNOR ASSEMBLY                                       | 1        |
| 21  | 251002   | CYLINDER HEAD   | 1        |
| 21,1                                      | 251002C  | CYLINDER HEAD INCLUDING INTAKE & EXHAUST VALVES + STUDS | 1        |
| 22  | 251701   | VALVE,IN  | 1        |
| 23  | 255901   | VALVE EXHAUST   | 1        |
| 24  | 261807   | RETURNER,INTAKE VALVE                                   | 1        |
| 25  | 93513    | OIL SEAL,VALVE  | 1        |
| 26  | 266002   | SPRING,VALVE  | 2        |
| 27  | 261801   | SEAT, VALVE SPRING,IN                                   | 1        |
| 28  | 261803   | SEAT, VALVE SPRING,EX                                   | 1        |
| 29  | 262201   | PLATE,PUSH ROD GUIDE                                    | 1        |
| 30  | 262101   | ROCKER ASSY   | 2        |
| 31  | 261806   | ROTATOR   | 1        |
| 32  | 91012    | BOLT, STUD  | 2        |
| 33  | 91015    | BOLT, STUD  | 2        |
| 34  | 252802   | CARBURETOR ASSEMBLY                                     | 1        |
| 34,1                                      | 5197     | FLOAT   | 1        |
| 34,2                                      | 5196     | FUEL INJECTION NEEDLE                                   | 1        |
| 34,3                                      | 14112-83 | MAIN METERING JET                                       | 1        |
| 35  | 94409    | CLIP,FUEL LINE  | 1        |
| 36  | 95413    | FUEL LINE   | 1        |

|      |            |                          |   |
|------|------------|--------------------------|---|
| 37   | 94404      | CLIP,FUEL LINE           | 2 |
| 38   | 254001     | GOVERNOR ARM             | 1 |
| 39   | 91823      | BOLT,GOVERNOR ARM        | 1 |
| 40   | 90016      | NUT M6                   | 3 |
| 41   | 253701     | MUFFLER COMP             | 1 |
| 42   | 96001      | GASKET,EXHAUST PIPE      | 1 |
| 43   | 95203      | EXHAUST PIPE             | 1 |
| 44   | 90011      | NUT M8                   | 5 |
| 45   | 250306     | CRANKSHAFT ASSEMBLY      | 1 |
| 46   | 266101     | LIFTER,VALVE             | 2 |
| 47   | 96062      | PACKING,CASECOVER        | 1 |
| 48   | 265601     | DIPSTICK                 | 1 |
| 49   | 252003     | CAMSHAFT ASSEMBLY        | 1 |
| 50   | 91348      | BOLT M8X35               | 7 |
| 51   | 260901     | PIN, DOWEL               | 2 |
| 52   | 96063      | GASKET,CYLINDER HEAD     | 1 |
| 53   | 91321      | BOLT M10X80              | 4 |
| 54   | 97108      | SPARK PULG               | 1 |
| 55   | 251901     | ROD,PUSH                 | 2 |
| 56   | 250501     | SHROUD                   | 1 |
| 57   | 91325      | BOLT M6X12               | 9 |
| 58   | 261104     | COVER COMP,CYLINDER HEAD | 1 |
| 59   | 96075      | PACKING,HEADCOVER        | 1 |
| 60   | 91819      | LOCK BOLT                | 1 |
| 61   | 254402     | SHROUD ASSY,UPPER        | 1 |
| 62   | 269901     | RUBBER, STARTER ASSY     | 1 |
| 63   | 250401     | FLYWHEEL ASSEMBLY        | 1 |
| 64   | 254601     | FAN,RECOIL STARTER       | 1 |
| 65   | 254501     | PULLEY,STARTER           | 1 |
| 66   | 90004      | NUT                      | 1 |
| 67   | 97518      | IGNITION COIL ASSY       | 1 |
| 68   | 91331      | BOLT M6X25               | 2 |
| 69   | 96065      | PACKING,INTAKE           | 1 |
| 70   | 252301     | INSULATOR,CARBURETOR     | 1 |
| 71   | 96067      | PACKING,CARBURETOR       | 1 |
| 72   | 94227      | SPACER,CARBURETOR        | 1 |
| 73   | 252701     | ROD,GOVERNOR             | 1 |
| 74   | 264201     | SPRING,THROTTL RETURN    | 1 |
| 75   | 254708-026 | RECOIL STARTER ASSEMBLY  | 1 |
| 75,1 | 5193       | STARTER COMP,RECOIL      | 1 |
| 75,2 | 5024       | GRIP STARTER             | 1 |
| 75,3 | 5025       | ROPE                     | 1 |
| 75,4 | 5193       | STARTER COVER            | 1 |
| 76   | 260801     | CLIP                     | 1 |

|      |            |                              |   |
|------|------------|------------------------------|---|
| 77   | 252902     | AIR CLEANER ASSEMBLY         | 1 |
| 77,1 | 5198       | BOTTOM COVER,AIR CLEANER     | 1 |
| 77,2 | 5194       | ELEMENT,AIR CLEANER          | 1 |
| 77,3 | 5195       | COVER,AIR CLEANER            | 1 |
| 78   | 95605      | TUBE,BREATHER                | 1 |
| 79   | 254101     | SPRING,GOVERNOR              | 1 |
| 80   | 245104     | AMPLIFIER                    | 1 |
| 81   | 96083      | PACKING,EXHAUST              | 1 |
| 82   | 94206      | SPRING WASHER                | 2 |
| 83   | 253110-026 | FUEL TANK                    | 1 |
| 83,1 | 5030       | FUEL FILTER                  | 1 |
| 84   | 91346      | BOLT M8X25                   | 2 |
| 85   | 90018      | NUT M8                       | 2 |
| 86   | 519201     | FUEL TANK CAP COMP           | 1 |
| 87   | 245405     | MANUAL CHOKE ASSEMBLY        | 1 |
| 88   | 95903      | PACKING WASHER,ONE-WAY VALVE | 1 |
| 89   | 95308      | CONNECTING PIPE              | 1 |
| 90   | 94408      | CLIP,FUEL LINE               | 1 |
| 91   | 91818      | ROCKER ARM ASSEMBLY          | 2 |