

DUCAR

Diagramme de pièces *Parts diagram*



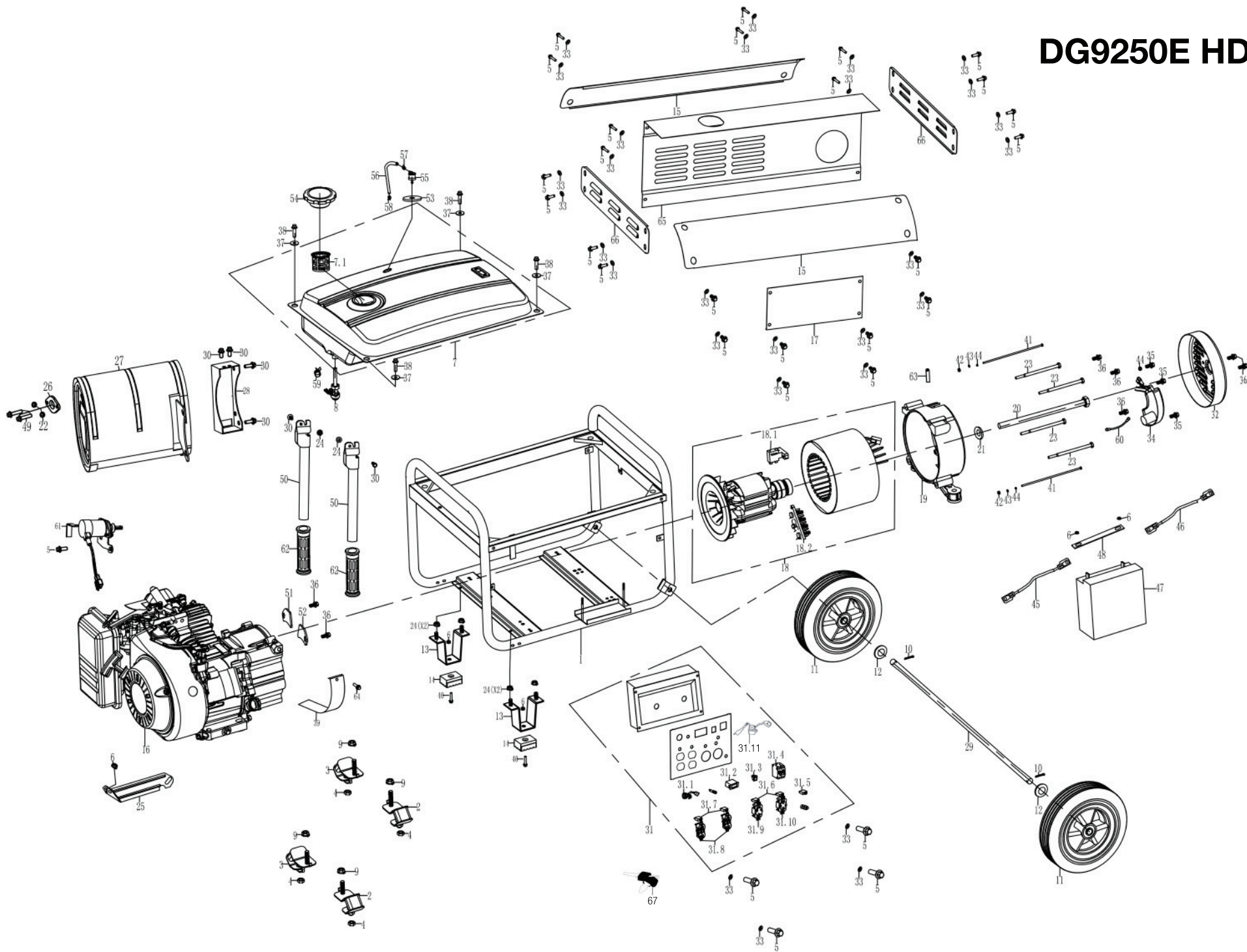
Le modèle peut différer légèrement de la photo / *The model may differ slightly from the picture*

DG9250E HD

Génératrice

Generator

DG9250E HD



Spare parts for the DG9250E HD generator			
NO.	Code	Description	Qty
1	770151-010	FRAME	1
2	531301	ISOLATOR A	2
3	531304	ISOLATOR B	2
4	90011	NUT M8	4
5	91325	BOLT M6X12	29
6	90016	NUT M6	5
7	700307-026	FUEL TANK ASSEMBLY	1
7.1	6280	FUEL FILTER	1
8	518201	FUEL COCK	1
9	90013	NUT M10	4
10	548201	COTTER PIN	2
11	523608	WHEEL	2
12	94213	FLAT WASHER	2
13	525902-010	SUPPORT,FRAME	2
14	531903	VIBRATION ISOLATION PAD,SQUARE	2
15	522901-010	ARC DECORATIVE TANK	2
17	521901-010	FRONT PANEL,RH	1
18	757526	STARTING MOTOR ASSEMBLY	1
18,1	599019	CARBON BRUSH COMP	1
18,2	6080	GROUNDING POST COMP	1
19	532301	MOTOR STAND	1
20	91717	BOLT	1
21	96813	GASKET, ROTOR BOLT	1
22	94206	SPRING WASHER Φ 8	2
23	91614	BOLT	4
24	90018	NUT M8	6
25	540601	BRACKET,AIR CLEANER	1
26	96002	GASKET,EXHAUST PIPE	1
27	705912	MUFFLER COMP	1
28	520304	MUFFLER BRACKET	1
29	524901-010	AXLE	1
30	91343	BOLT M8X16	6
31	710620	PANEL COMP	1
31.1	3403-018	SWITCH ASSEMBLY	1
31.2	6041	TIME ACCUMULATOR (V.F.T AC90-250V CSA)	1
31.3	34203-017	SWITCH ASSEMBLY	1
31.4	6013	CIRCUIT BREAKER 30/2P/30A/CSA	1
31.5	599923	THERMAL PROTECTOR 8A CSA/UL	1
31.6	599933	THERMAL PROTECTOR 30A CSA/UL	2
31.7	599919	THERMAL PROTECTOR 20A CSA/UL	2
31.8	6204	DOUBLE RECEPTACLE,AMERICA 20A/125V 5-20	2
31.9	6255	RECEPTACLE,AMERICA 30A/125V L5-20R/UL	1
31.10	6241		1
31.11	6229	AUTO THROTTLE MODULE	1
32	533301-026	END COVER,GENERATOR	1

33	96120		28
34	534803	AUTOMATIC VOLTAGE REGULATOR	1
35	91323	BOLT M5X16	3
36	91322	BOLT M5X12	7
37	96811	WASHER, FUEL TANK	4
38	91306	BOLT M6X25	4
39	539602	GUARD COVER,CRANKCASE	1
40	91331	BOLT M6X25	2
41	91512	BOLT M5×158	2
42	90009	NUT M5	2
43	94219	FLAT WASHER φ5	2
44	94204	SPRING WASHER φ5	3
45	512011	NEGATIVE LEAD	1
46	512002	POSITIVE LEAD	1
47	511008	BATTERY	1
48	542202-010	BATTERY HOLDER	1
49	91347	BOLT M8X30	2
50	526901-010	HANDLE ASSEMBLY	2
51	549601	DUSTPROOF SHEET	1
52	549602	DUSTPROOF SHEET	1
53	550601	PACKING WASHER,ONE-WAY VALVE	1
54	519201	FUEL TANK CAP COMP	1
55	546601	ROLL OVER VALVE	1
56	95324	CONNECTING PIPE Φ10.5XΦ4.5X640	1
57	94409	CLIP,FUEL LINE Φ9.5	1
58	94408	CLIP,FUEL LINE Φ10	1
59	94403	CLIP,FUEL LINE Φ7.5	1
60	544603	GROUNDING WIRE	1
61	599605	ENERGY-SAVING VALVE	1
62	528601	RUBBER,HANDLE	2
63	599601	CLIP,WIRE HARNESS	1
64	92008	CROSSING SCREW M6X10	1
65	521903-010	PANEL,RH	1
66	521906-010	PANEL,LH	2
67	DUP999999	KEY	2