

DUCAR

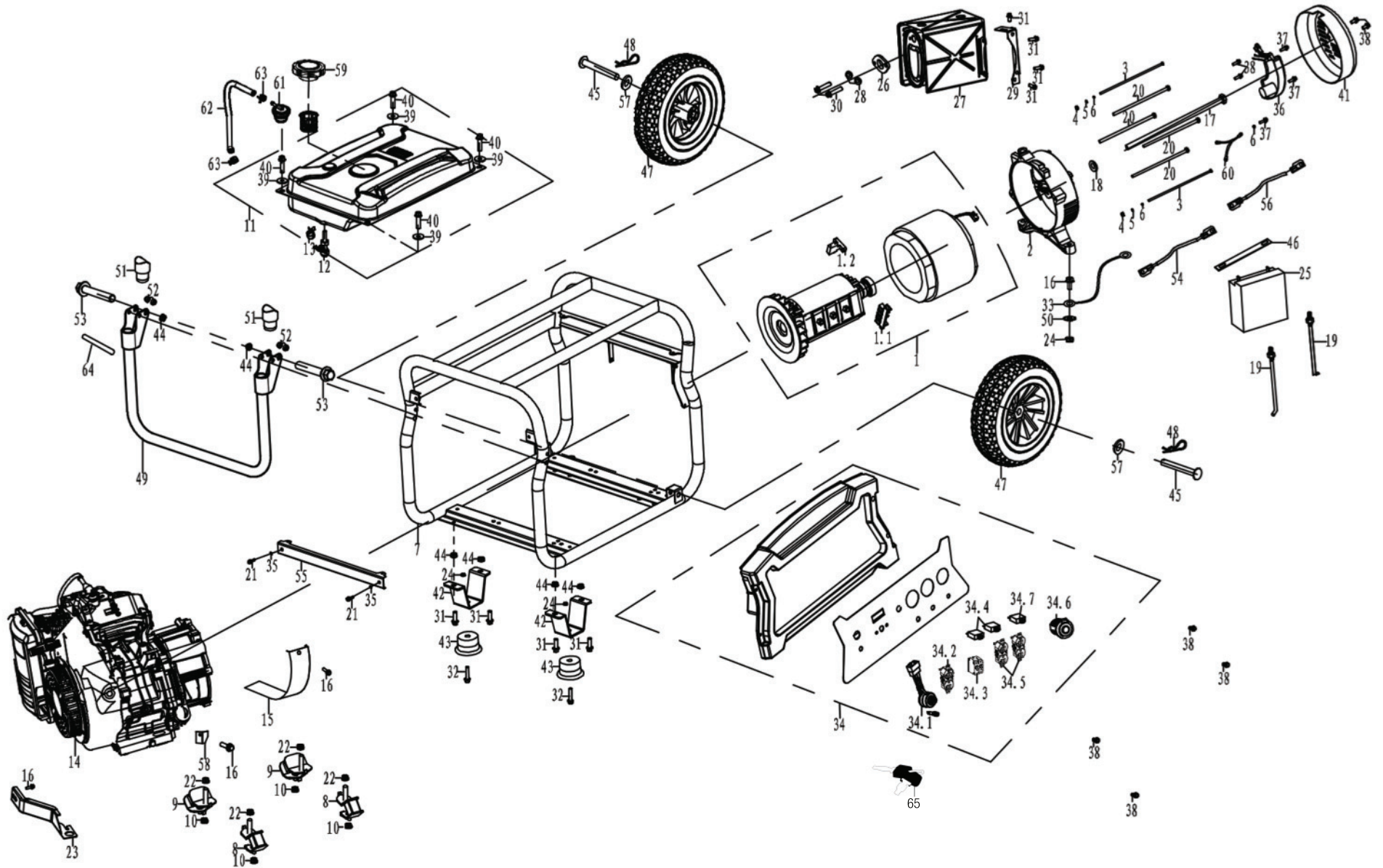
Diagramme de pièces *Parts diagram*



Le modèle peut différer légèrement de la photo / *The model may differ slightly from the picture*

DG6500R Génératrice *Generator*

DG6500R



Spare parts for the DG6500R generator			
NO.	Code	Description	Quantity
1	755529	GENERATOR HEAD ASSY	1
1,1	599912	GROUNDING POST COMP	1
1,2	599019	CARBON BRUSH COMP	1
2	532301	MOTOR STAND	1
3	91508	BOLT	2
4	90009	NUT M5	2
5	94219	FLAT WASHER	2
6	94204	SPRING WASHER	3
7	773438-010	FRAME	1
8	531301	ISOLATOR A	2
9	531304	ISOLATOR B	2
10	90011	NUT M8	4
11	700363-026	FUEL TANK	1
12	518201	FUEL COCK	1
13	94403	CLIP,FUEL LINE	1
14	110042020076	ENGINE ASSEMBLY	1
15	539602	GUARD COVER,CRANKCASE	1
16	91329	BOLT M6X16	4
17	91713	BOLT	1
18	96813	GASKET, ROTOR BOLT	1
19	511017	BATTERY HOLDER	2
20	91610	BOLT	4
21	91325	BOLT M6X12	2
22	90013	NUT M10	4
23	540601	BRACKET,AIR CLEANER	1
24	90016	NUT M6	3
25	511008	BATTERY	1
26	96002	GASKET,EXHAUST PIPE	1
27	705620	MUFFLER COMP	1
28	94206	SPRING WASHER ϕ 8	2
29	520305	MUFFLER BRACKET	1
30	91347	BOLT M8X30	2
31	91343	BOLT M8X16	8
32	91331	BOLT M6X25	2
33	544301	GROUND WIRE	1
34	714708	PANEL COMP	1
34,1	34203-019	SWITCH ASSEMBLY	1
34,2	6241		1
34,3	34206-046		1
34,4	6242		2
34,5	34204-061		2
34,6	599922		1
34,7	599923		1

NO.	Code	Description	Quantity
35	96120	WASHER	2
36	534806	AUTOMATIC VOLTAGE REGULATOR	1
37	91323	BOLT M5X16	3
38	91322	BOLT M5X12	8
39	96811	WASHER, FUEL TANK	4
40	91306	BOLT M6X25	4
41	533301-026	END COVER, GENERATOR	1
42	525309-010	FRONT FOOT	2
43	531115	RUBBER DAMPING BRACKET	2
44	90018	NUT M8	6
45	524803	AXLE	2
46	542202	BATTERY HOLDER	1
47	523618	WHEEL	2
48	548302	COTTER PIN	2
49	526610-010	HANDLE	1
50	94002	TOOTH TYPE GASKET	1
51	527602	PLUG,HANDLE	2
52	527605	BUSH,HANDLE	4
53	91352	BOLT M8X50	2
54	512001	POSITIVE LEAD	1
55	530307-010	CROSS BEAM,REAR	1
56	512013	NEGATIVE LEAD	1
57	94207	FLAT WASHER	2
58	549603	DUSTPROOF SHEET	1
59	519406	FUEL TANK CAP	1
60	544603	GROUNDING WIRE	1
61	245405	MANUAL CHOKE ASSEMBLY	1
62	95314	CONNECTING PIPE	1
63	94408	CLIP,FUEL LINE Φ 10	2
64	527406	PIN, HANDLE	1
65	DUP999999	KEY	2