

DUCAR

Diagramme de pièces *Parts diagram*



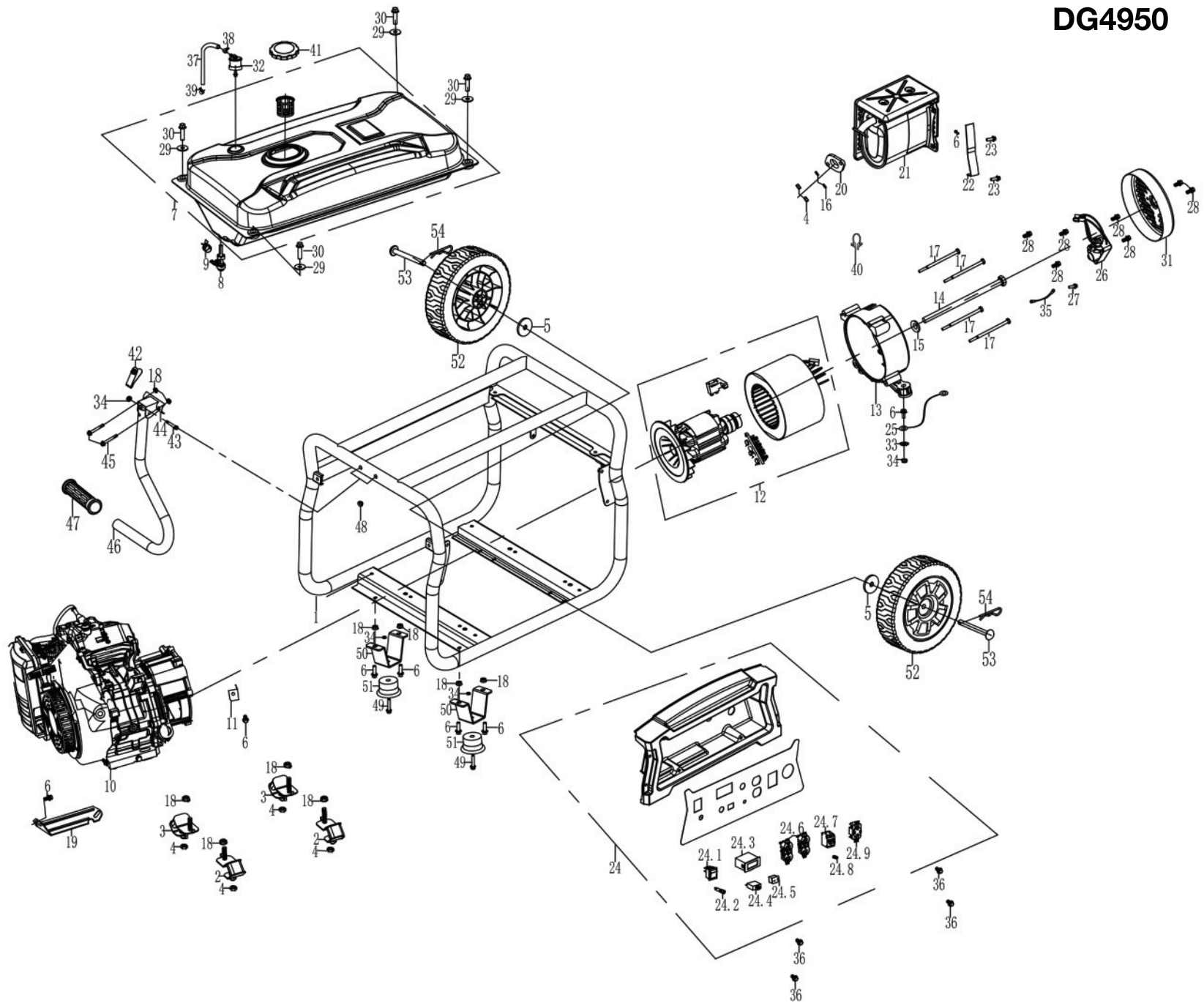
Le modèle peut différer légèrement de la photo / *The model may differ slightly from the picture*

DG4950

Génératrice

Generator

DG4950



| Spare parts for the DG4950 generator | | | |
|--------------------------------------|--------------|-------------------------------------|----------|
| NO. | Code | Description | Quantity |
| 1 | 773449-010 | FRAME | 1 |
| 2 | 531201 | ISOLATOR A | 2 |
| 3 | 531204 | ISOLATOR B | 2 |
| 4 | 90011 | NUT M8 | 6 |
| 5 | 96813 | FLAT WASHER | 2 |
| 6 | 91325 | BOLT M6X12 | 8 |
| 7 | 700332-026 | FUEL TANK | 1 |
| 8 | 518207 | FUEL COCK | 1 |
| 9 | 94403 | CLIP,FUEL LINE | 1 |
| 10 | 110022510040 | ENGINE ASSY DH225 | 1 |
| 11 | 549201 | DUSTPROOF SHEET | 1 |
| 12 | 753802 | STARTING MOTOR ASSEMBLY | 1 |
| 13 | 532105 | MOTOR STAND | 1 |
| 14 | 91711 | BOLT M8*1*230 | 1 |
| 15 | 96812 | GASKET, ROTOR BOLT | 1 |
| 16 | 94206 | SPRING WASHER | 2 |
| 17 | 91611 | BOLT M6*175 | 4 |
| 18 | 90018 | NUT M8 | 10 |
| 19 | 540201 | BRACKET,AIR CLEANER | 1 |
| 20 | 96055 | PACKING,EXHAUST | 1 |
| 21 | 705363 | MUFFLER COMP | 1 |
| 22 | 520302 | MUFFLER BRACKET | 1 |
| 23 | 91343 | BOLT M8X16 | 2 |
| 24 | 714730 | PANEL COMP | 1 |
| 24,1 | 6234 | SWITCH ASSEMBLY | 1 |
| 24,2 | 6237 | OIL ALARM LAMP | 1 |
| 24,3 | 6041 | TIME ACCUMULATOR | 1 |
| 24,4 | 6233 | THERMAL PROTECTOR | 1 |
| 24,5 | 6205 | DC T-RECEPTACLE | 1 |
| 24,6 | 6032 | AMERICAN DOUBLE SOCKET | 2 |
| 24,7 | 6434-17 | CIRCUIT BREAKER | 1 |
| 24,8 | 6235 | GROUNDING TERMINAL COMPONENT | 1 |
| 24,9 | 6241 | AMERICAN FOUR-HOLE ANTI-TRIP SOCKET | 1 |
| 25 | 544301 | FRAME WIRE | 1 |
| 26 | 534105 | AUTOMATIC VOLTAGE REGULATOR | 1 |
| 27 | 91323 | BOLT M5X16 | 1 |
| 28 | 91322 | BOLT M5X12 | 7 |
| 29 | 96811 | WASHER, FUEL TANK | 4 |
| 30 | 91306 | BOLT M6X25 | 4 |
| 31 | 533104-026 | END COVER,GENERATOR | 1 |
| 32 | 245405 | MANUAL CHOKE ASSEMBLY | 1 |
| 33 | 94002 | BEARING Φ 6 | 1 |

| | | | |
|----|------------|--------------------------|---|
| 34 | 90016 | NUT M6 | 4 |
| 35 | 544304 | DAPUTY HARNESS | 1 |
| 36 | 91329 | BOLT M6X16 | 4 |
| 37 | 95318 | CONNECTING PIPE | 1 |
| 38 | 94408 | CLIP,FUEL LINE | 1 |
| 39 | 94409 | CLIP,FUEL LINE | 1 |
| 40 | 210801 | CLIP | 1 |
| 41 | 519413 | THE CAP | 1 |
| 42 | 527501 | HANDLE CLIP | 1 |
| 43 | 91350 | BOLT M8X45 | 1 |
| 44 | 528304-010 | CONNECTOR, HANDLE | 1 |
| 45 | 91349 | BOLT M8X40 | 2 |
| 46 | 526310-010 | HANDLE ASSY | 1 |
| 47 | 528602 | RUBBER,HANDLE | 1 |
| 48 | 527401 | HANDLEBAR RUBBER CUSHION | 1 |
| 49 | 91308 | BOLT M6X28 | 2 |
| 50 | 525309-010 | SUPPORT,FRAME | 2 |
| 51 | 531115 | CUSHIONING PADS | 2 |
| 52 | 523619 | WHEEL | 2 |
| 53 | 524304 | AXLE | 2 |
| 54 | 548302 | CHECK BACK PIN | 2 |