

DUCCAR

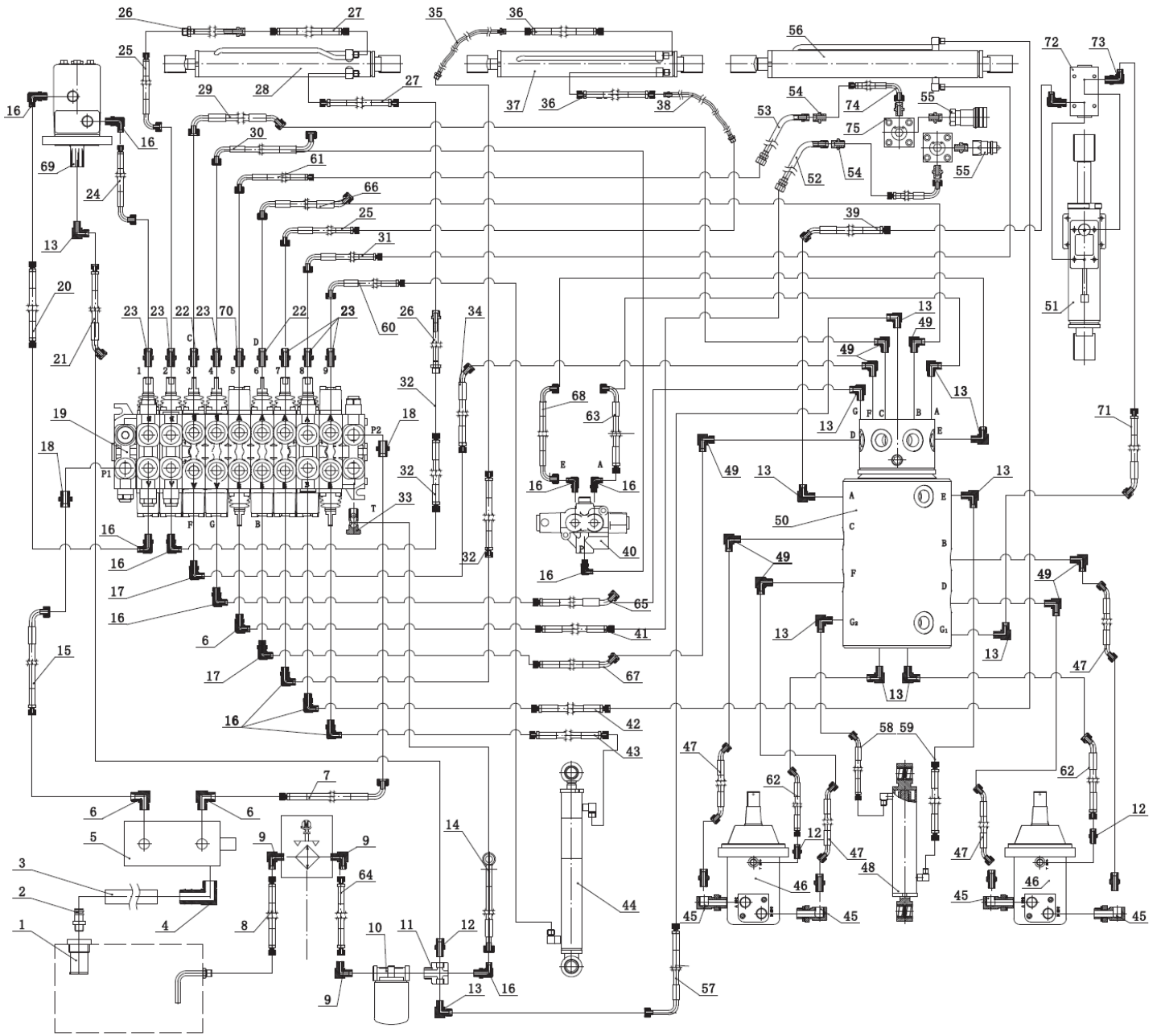
Equipment parts manual

Model : DUEEXCAV-36

Excavator

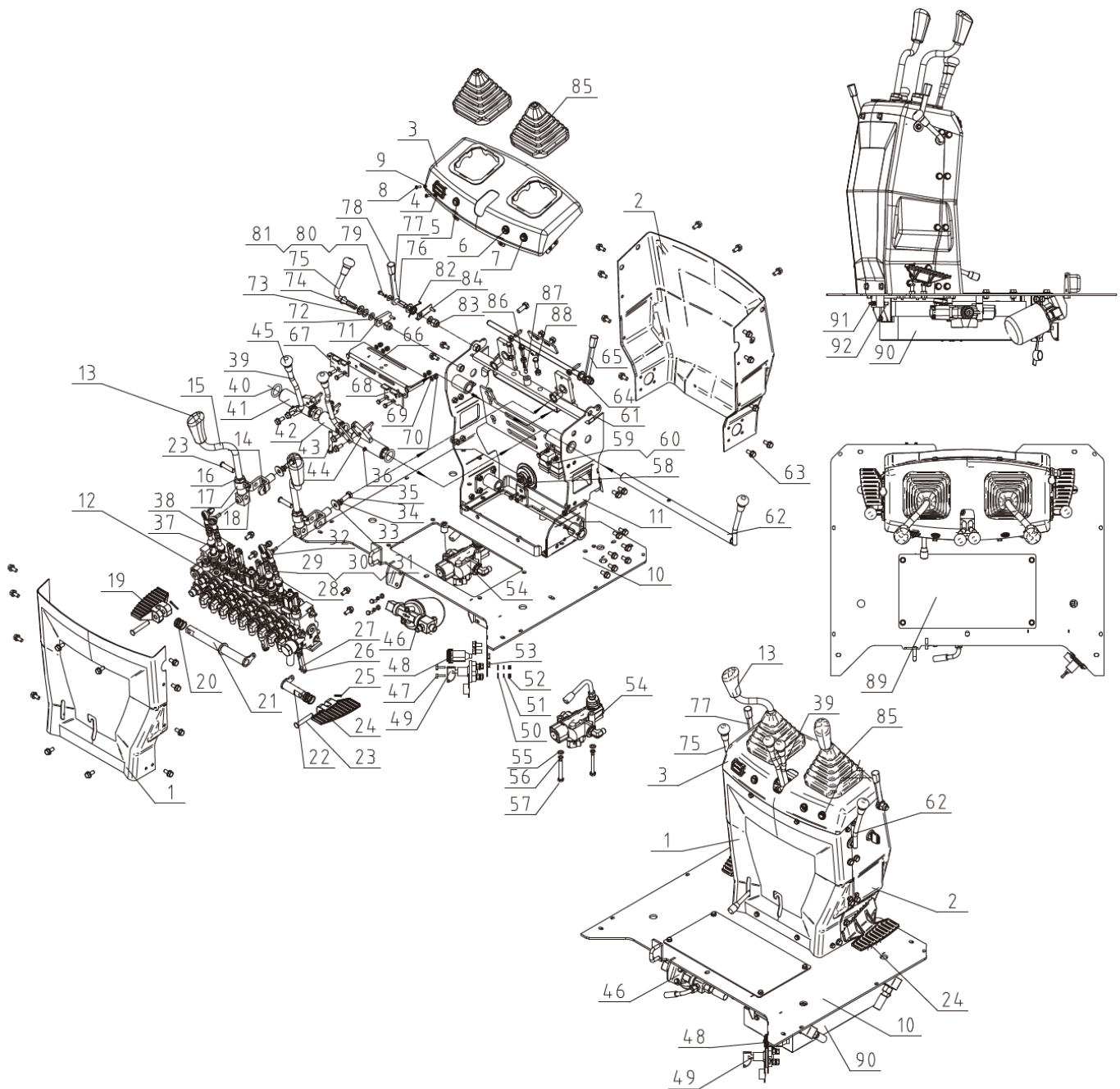


Picture may not reflect the exact model



No.	Product code	Description	Quantity
1	DUPEXCAV-36201	OIL FILTER	1
2	DUPEXCAV-36202	OIL SUCTION ANGLE CONNECTOR	1
3	DUPEXCAV-36203	PUMP OIL INLET PIPE	1
4	DUPEXCAV-36204	PUMP INLET ANGLE CONNECTOR	1
5	DUPEXCAV-36205	DOUBLE GEAR PUMP	1
6	DUPEXCAV-36206	ANGLE CONNECTOR	3
7	DUPEXCAV-36207	PUMP RIGHT OUTLET HOSE 2	1
8	DUPEXCAV-36208	TANK OIL RETURN HOSE	1
9	DUPEXCAV-36209	ANGLE CONNECTOR	2
10	DUPEXCAV-36210	OIL RETURN FILTER	1
11	DUPEXCAV-36211	FOUR-WAY JOINT	1
12	DUPEXCAV-36212	STRAIGHT CONNECTOR	3
13	DUPEXCAV-36213	ANGLE CONNECTOR	14
14	DUPEXCAV-36214	VALVE OIL RETURN HOSE	1
15	DUPEXCAV-36215	GEAR PUMP OIL OUTLET HOSE 1	1
16	DUPEXCAV-36216	TRANSITION JOINT	10
17	DUPEXCAV-36217	ANGLE TRANSITION JOINT	2
18	DUPEXCAV-36218	STRAIGHT CONNECTOR	2
19	DUPEXCAV-36219	CONTROL VALVE	1
20	DUPEXCAV-36220	ROTATING MOTOR OIL HOSE 1	1
21	DUPEXCAV-36221	ROTATING MOTOR OIL DRAIN HOSE	1
22	DUPEXCAV-36222	STRAIGHT CONNECTOR	2
23	DUPEXCAV-36223	STRAIGHT CONNECTOR	7
24	DUPEXCAV-36224	ROTATING MOTOR OIL HOSE 2	1
25	DUPEXCAV-36225	UPPER OIL PIPE OF BUCKET ROD CYLINDER VALVE	1
26	DUPEXCAV-36226	STEEL OIL PIPE FOR BUCKET ARM CYLINDER	2
27	DUPEXCAV-36227	OIL HOSE FOR BUCKET ARM CYLINDER	2
28	DUPEXCAV-36228	OUTLINE DRAWING FOR BUCKET ARM CYLINDER	1
29	DUPEXCAV-36229	VALVE-SWIVEL JOINT OIL HOSE (C)	1
30	DUPEXCAV-36230	VALVE-SWITCHING VALVE OIL HOSE (P)	1
31	DUPEXCAV-36231	BOOM CYLINDER OIL HOSE 1	1
32	DUPEXCAV-36232	LOWER OIL PIPE OF BUCKET ROD CYLINDER VALVE	1
33	DUPEXCAV-36233	G1/2 HOLLOW BOLT	1
34	DUPEXCAV-36234	VALVE-SWIVEL JOINT OIL HOSE (F)	1
35	DUPEXCAV-36235	BUCKET CYLINDER STEEL OIL PIPE 1	1
36	DUPEXCAV-36236	BUCKET CYLINDER OIL HOSE	2
37	DUPEXCAV-36237	OUTLINE DRAWING FOR BUCKET CYLINDER	1
38	DUPEXCAV-36238	BUCKET CYLINDER STEEL OIL PIPE 2	1
39	DUPEXCAV-36239	DOZER CYLINDER OIL HOSE WITH GUARD SPRING	2
40	DUPEXCAV-36240	SWITCHING VALVE	1
41	DUPEXCAV-36241	PTO OIL HOSE 1	1
42	DUPEXCAV-36242	BOOM CYLINDER OIL HOSE 2	1
43	DUPEXCAV-36243	SIDE SWING CYLINDER OIL HOSE 1	1

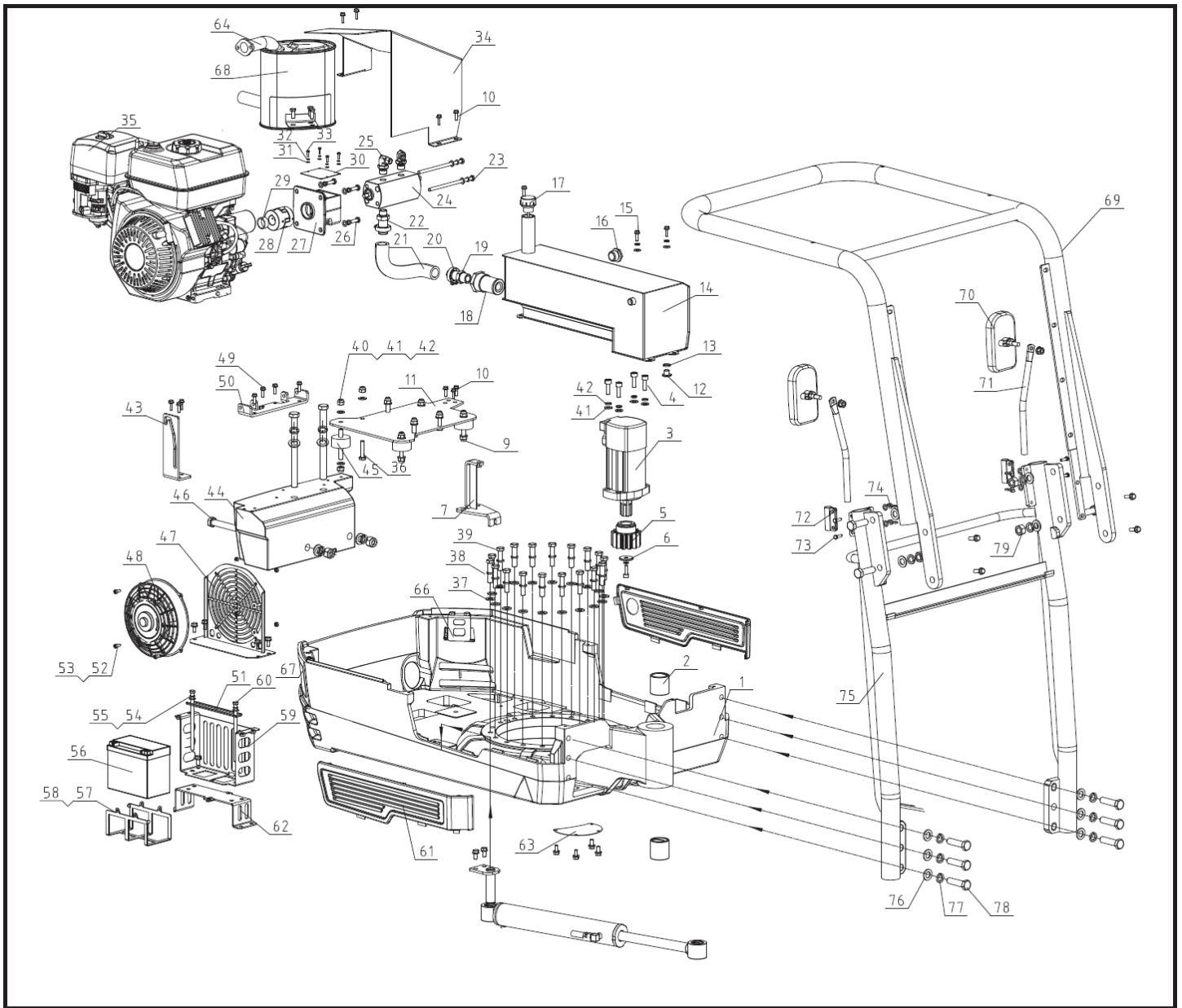
No.	Product code	Description	Quantity
44	DUPEXCAV-36244	OUTLINE DRAWING FOR BOOM ROTARY CYLINDER	1
45	DUPEXCAV-36245	RIGHT ANGLE COMBINATION JOINT	4
46	DUPEXCAV-36246	HYDRAULIC MOTOR 315ML/R	2
47	DUPEXCAV-36247	TRAVEL MOTOR OIL HOSE	4
48	DUPEXCAV-36248	OUTLINE DRAWING FOR TRACK SIDE PUSH CYLINDER	1
49	DUPEXCAV-36249	ANGLE CONNECTOR	8
50	DUPEXCAV-36250	REVOLUTE JOINT	1
51	DUPEXCAV-36251	OUTLINE DRAWING FOR DOZER CYLINDER	1
52	DUPEXCAV-36252	STANDBY OIL CYLINDER STEEL OIL PIPE 1	1
53	DUPEXCAV-36253	STANDBY OIL CYLINDER STEEL OIL PIPE 2	1
54	DUPEXCAV-36254	JOINT OF PLYWOOD	2
55	DUPEXCAV-36255	QUICK CONNECTOR	1
56	DUPEXCAV-36256	OUTLINE DRAWING FOR BOOM CYLINDER	1
57	DUPEXCAV-36257	SWIVAL JOINT OIL DRAIN HOSE	1
58	DUPEXCAV-36258	TRACK SICLE PUSH CYLINDER RODLESS CAVITY HOSE	1
59	DUPEXCAV-36259	TRACK SICLE PUSH CYLINDER ROD CAVITY HOSE	1
60	DUPEXCAV-36260	SIDE SWING CYLINDER HOSE	1
61	DUPEXCAV-36261	PTO OIL HOSE 2	1
62	DUPEXCAV-36262	DRIVE MOTOR OIL DRAIN HOSE	2
63	DUPEXCAV-36263	SWITCHING VALVE (A)-SWIVEL JOINT (E) OIL HOSE	1
64	DUPEXCAV-36264	RADIATOR OIL INLET PIPE	1
65	DUPEXCAV-36265	VALVE-SWIVEL JOINT OIL HOSE (G)	1
66	DUPEXCAV-36266	VALVE-SWIVEL JOINT OIL HOSE (D)	1
67	DUPEXCAV-36267	VALVE-SWIVEL JOINT OIL HOSE (B)	1
68	DUPEXCAV-36268	"SWITCHING VALVE (B)-SWIVEL JOINT (A) OIL HOSE"	1
69	DUPEXCAV-36269	ROTATING MOTOR	1
70	DUPEXCAV-36270	STRAIGHT CONNECTOR	1
71	DUPEXCAV-36271	DOZER CYLINDER OIL HOSE	1
72	DUPEXCAV-36272	HYDRAULIC LOCK	1
73	DUPEXCAV-36273	TRANSITION JOINT	2
74	DUPEXCAV-36274	THREE-WAY GLOBE VALVE OIL PIPE	2
75	DUPEXCAV-36275	THREE-WAY GLOBE VALVE	2



No.	Product code	Description	Quantity
1	DUPEXCAV-36301	CONTROL CABINET-REAR PLATE	1
2	DUPEXCAV-36302	OPERATION DASHBOARD-FRONT GUARD PLATE	1
3	DUPEXCAV-36303	CONTROL CABINET-TOP PLATE WELDMENT	1
4	DUPEXCAV-36304	TIMER	1
5	DUPEXCAV-36305	POWER INDICATOR	1
6	DUPEXCAV-36306	HORN SWITCH	1
7	DUPEXCAV-36307	WORK LIGHT SWITCH	1
8	DUPEXCAV-36308	CROSS RECESSED PAN HEAD SCREW M4X16	2
9	DUPEXCAV-36309	LOCK NUT M4	2
10	DUPEXCAV-36310	CONTROL CABINET-END PLATE WELDMENT	1

No.	Product code	Description	Quantity
11	DUPEXCAV-36311	CONTROL CABINET-INNER SUPPORT FRAME WELDMENT ASSEMBLY	1
12	DUPEXCAV-36312	MULTI-WAY VALVE ASSEMBLY	1
13	DUPEXCAV-36313	OPERATING BALL KNOB	2
14	DUPEXCAV-36314	OPERATING CONTROL LEVER-UNIVERSAL JOINT WELDMENT	2
15	DUPEXCAV-36315	LEFT/RIGHT HANDLE LEVER	2
16	DUPEXCAV-36316	NUT M16	2
17	DUPEXCAV-36317	OPERATING CONTROL LEVER-DIRECTION BLOCK	2
18	DUPEXCAV-36318	«HEXAGON SOCKET SET SCREWS WITH FLAT POINT M8X25»	4
19	DUPEXCAV-36319	PTO CONTROL PEDAL	1
20	DUPEXCAV-36320	PEDAL SHAFT SPRING	2
21	DUPEXCAV-36321	PTO CONTROL PEDAL-SHAFT WELDMENT	1
22	DUPEXCAV-36322	BOOM SWING PEDAL-SHAFT WELDMENT	1
23	DUPEXCAV-36323	PIN D10X45	4
24	DUPEXCAV-36324	BOOM SWING PEDAL	1
25	DUPEXCAV-36325	COTTER PIN D3X20	4
26	DUPEXCAV-36326	PIN D5X18	10
27	DUPEXCAV-36327	PEDAL CONNECTING ROD	2
28	DUPEXCAV-36328	«STRAIGHT JOINT BEARING SQZL8-RS JB/T5306»	4
29	DUPEXCAV-36329	CONNECTING ROD M8X80	4
30	DUPEXCAV-36330	NUT M8	19
31	DUPEXCAV-36331	NUT M8 WITH REVERSE THREAD	4
32	DUPEXCAV-36332	«ELBOW LEVER KNOB JOINT BEARING SQ8-RS JB/T5306»	4
33	DUPEXCAV-36333	FLAT WASHER D10	2
34	DUPEXCAV-36334	SPRING WASHER D10	2
35	DUPEXCAV-36335	BOLT M10X25	2
36	DUPEXCAV-36336	OIL CUP M6	5
37	DUPEXCAV-36337	CONNECTING ROD	3
38	DUPEXCAV-36338	COTTER PIN D2X16	10
39	DUPEXCAV-36339	LEFT/RIGHT HANDLE WELDMENT	2
40	DUPEXCAV-36340	O-RING 35X4	4
41	DUPEXCAV-36341	LEFT TRAVELING OPERATION SLEEVE WELDMENT	1
42	DUPEXCAV-36342	DOZER SHAFT SLEEVE WELDMENT	1
43	DUPEXCAV-36343	BOLT M8X45	1
44	DUPEXCAV-36344	RIGHT TRAVELING OPERATION SLEEVE WELDMENT	1
45	DUPEXCAV-36345	DOZER BALL KNOB	3
46	DUPEXCAV-36346	OIL FILTER	1
47	DUPEXCAV-36347	BOLT M6X20	7
48	DUPEXCAV-36348	CIGARETTE LIGHTER SOCKET	1
49	DUPEXCAV-36349	BATTERY NEGATIVE SWITCH	1

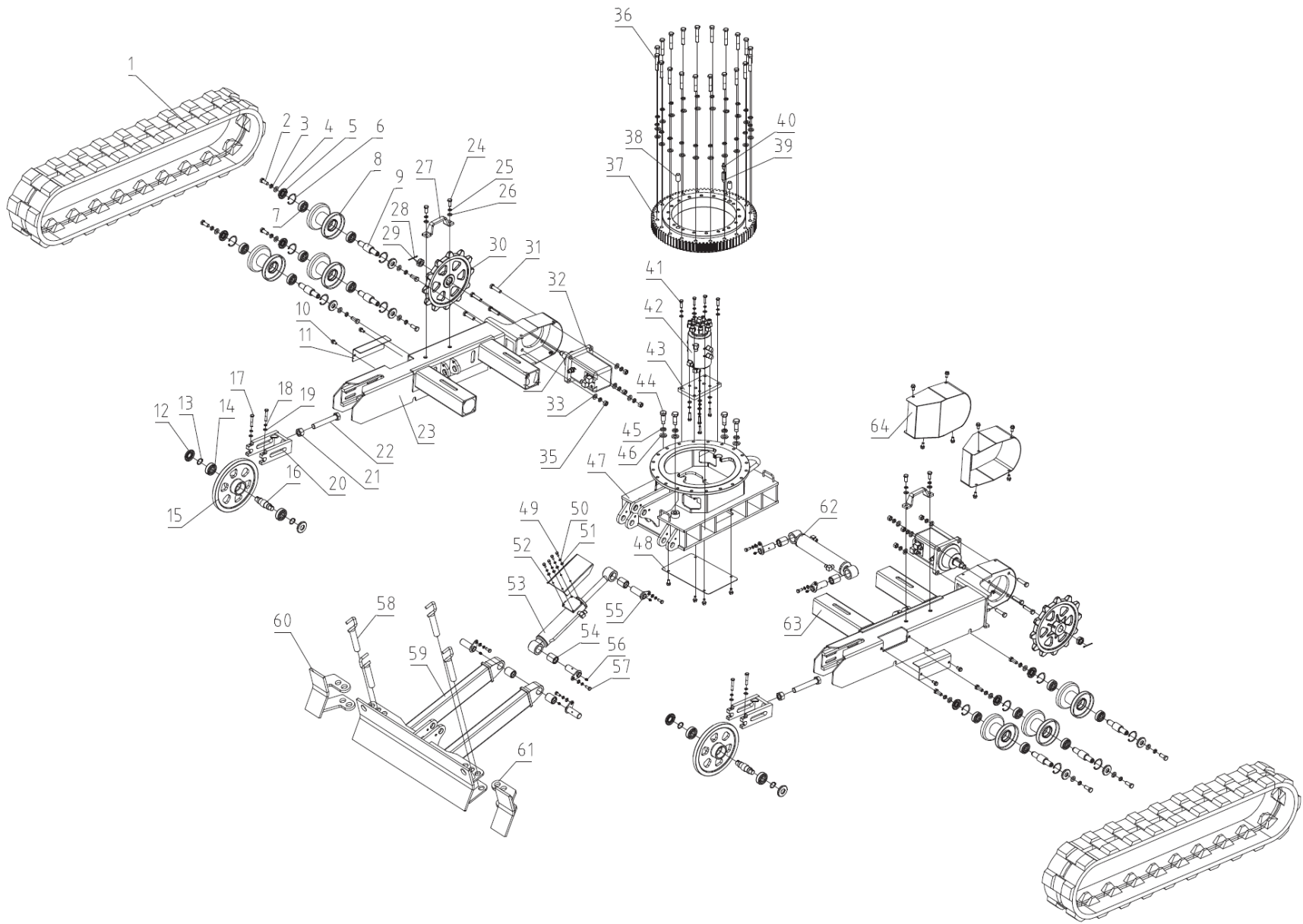
No.	Product code	Description	Quantity
50	DUPEXCAV-36350	FLAT WASHER D6	8
51	DUPEXCAV-36351	SPRING WASHER D6	8
52	DUPEXCAV-36352	NUT M6	2
53	DUPEXCAV-36353	BATTERY NEGATIVE SWITCH MOUNTING PLATE	1
54	DUPEXCAV-36354	SWITCHING VALVE	1
55	DUPEXCAV-36355	FLAT WASHER D8	5
56	DUPEXCAV-36356	SPRING WASHER	5
57	DUPEXCAV-36357	BOLT M8X65	2
58	DUPEXCAV-36358	HORN	1
59	DUPEXCAV-36359	ELECTRIC RELAY	2
60	DUPEXCAV-36360	BOLT M6X16	4
61	DUPEXCAV-36361	COPPER SLEEVE	2
62	DUPEXCAV-36362	ROTATING SHAFT WELDMENT	1
63	DUPEXCAV-36363	FLANGE BOLT M8X16	50
64	DUPEXCAV-36364	LEVER LOCK ROTATING SHAFT WELDMENT	1
65	DUPEXCAV-36365	LOCKING LEVER	1
66	DUPEXCAV-36366	LOCKING PLATE FOR LEVER	1
67	DUPEXCAV-36367	LEFT LOCKING PLATE	1
68	DUPEXCAV-36368	RIGHT LOCKING PLATE	1
69	DUPEXCAV-36369	SMALL FLAT WASHER D6	4
70	DUPEXCAV-36370	LOCK NUT M6	5
71	DUPEXCAV-36371	THROTTLE CABLE PLATE WELDMENT	1
72	DUPEXCAV-36372	FLAT WASHER D12	4
73	DUPEXCAV-36373	WAVE SPRING WASHER D12	2
74	DUPEXCAV-36374	WEAR WASHER D12-2	2
75	DUPEXCAV-36375	CABLE LEVER WELDMENT	1
76	DUPEXCAV-36376	CHOKE LEVER SHAFT	1
77	DUPEXCAV-36377	LOCKING LEVER	1
78	DUPEXCAV-36378	LOCKING HANDLE	2
79	DUPEXCAV-36379	FLAT WASHER D5	1
80	DUPEXCAV-36380	SPRING WASHER D5	1
81	DUPEXCAV-36381	BOLT M5X12	1
82	DUPEXCAV-36382	CHOKE TORSION SPRING	1
83	DUPEXCAV-36383	LOCK NUT M12	3
84	DUPEXCAV-36384	CHOKE CABLE PLATE WELDMENT	1
85	DUPEXCAV-36385	HANDLE SLEEVE	2
86	DUPEXCAV-36386	PRESSURE SPRING	1
87	DUPEXCAV-36387	STEEL BALL D6	1
88	DUPEXCAV-36388	BOLT M8X25	7
89	DUPEXCAV-36389	ENGINE COVER PLATE WELDMENT	1
90	DUPEXCAV-36390	RADIATOR	1
91	DUPEXCAV-36391	OIL CUP M10X1	2
92	DUPEXCAV-36392	PD610 STRAIGHT FITTING	2



No.	Product code	Description	Quantity
1	DUPEXCAV-36401	SWING UNIT PLATFORM	1
2	DUPEXCAV-36402	STEEL SLEEVE	2
3	DUPEXCAV-36403	ROTARY MOTOR	1
4	DUPEXCAV-36404	HEX SOCKET HEAD CAP SCREW M10X35	4
5	DUPEXCAV-36405	SMALL GEAR	1
6	DUPEXCAV-36406	THICK WASHER	1
7	DUPEXCAV-36407	SWIVEL JOINT MOUNTING BRACKET	1
9	DUPEXCAV-36409	ALL METAL LOCK NUT M10	4
10	DUPEXCAV-36410	FLANGE BOLT M8X16	22
11	DUPEXCAV-36411	ENGINE MOUNTING PLATE WELDMENT	1
12	DUPEXCAV-36412	BOLT M14X1.5	1
13	DUPEXCAV-36413	WASHER D14	1
14	DUPEXCAV-36414	HYDRAULIC OIL TANK WELDMENT	1
15	DUPEXCAV-36415	HEX SOCKET HEAD CAP SCREW M8X20	3

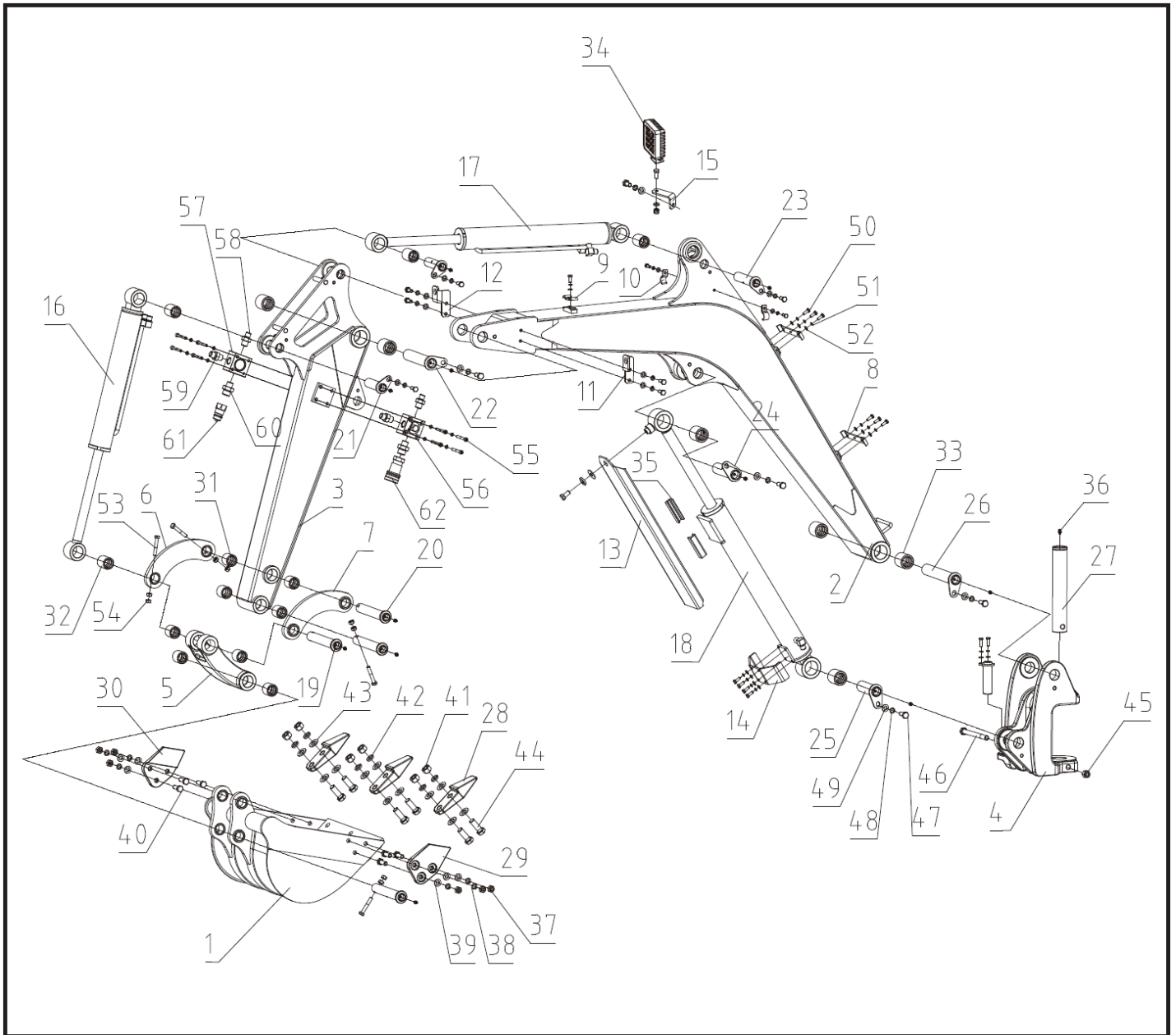
No.	Product code	Description	Quantity
16	DUPEXCAV-36416	THREADED ROUND SIGHT GLASS A20	1
17	DUPEXCAV-36417	HYDRAULIC OIL TANK COVER	1
18	DUPEXCAV-36418	OIL SUCTION FILTER	1
19	DUPEXCAV-36419	STRAIGHT CONNECTOR	1
20	DUPEXCAV-36420	CLAMP 25-38	1
21	DUPEXCAV-36421	SUCTION HOSE	1
22	DUPEXCAV-36422	OIL PUMP SUCTION FITTING 1/2	1
23	DUPEXCAV-36423	BOLT M8X160	4
24	DUPEXCAV-36424	GEAR PUMP 3.7X2	1
25	DUPEXCAV-36425	SWIVEL-TYPE RIGHT-ANGLE ADAPTER 1/2	2
26	DUPEXCAV-36426	BOLT M8X25	5
27	DUPEXCAV-36427	GEAR PUMP FRAME	1
28	DUPEXCAV-36428	COUPLER KSP24	1
29	DUPEXCAV-36429	COUPLER SLEEVE	1
30	DUPEXCAV-36430	GEAR PUMP FRAME COVER PLATE	1
31	DUPEXCAV-36431	FLAT WASHER D4	4
32	DUPEXCAV-36432	SPRING WASHER D4	4
33	DUPEXCAV-36433	"CROSS RECESSED PAN HEAD SCREW M4X14"	4
34	DUPEXCAV-36434	ENGINE GUARD PLATE	1
35	DUPEXCAV-36435	ENGINE	1
36	DUPEXCAV-36436	BOLT M10X45	4
37	DUPEXCAV-36437	FLAT WASHER D12	18
38	DUPEXCAV-36438	SPRING WASHER D12	18
39	DUPEXCAV-36439	BOLT M12X55	18
40	DUPEXCAV-36440	NUT M10	12
41	DUPEXCAV-36441	FLAT WASHER D10	16
42	DUPEXCAV-36442	SPRING WASHER D10	16
43	DUPEXCAV-36443	MOTOR COVER TURNOVER SUPPORT	1
44	DUPEXCAV-36444	COUNTER WEIGHT	1
45	DUPEXCAV-36445	SHOCK ABSORBER	4
46	DUPEXCAV-36446	BOLT M16X195	4
47	DUPEXCAV-36447	COOLING FAN MOUNTING FRAME	1
48	DUPEXCAV-36448	FAN	1
49	DUPEXCAV-36449	FLANGE BOLT M8X20	4
50	DUPEXCAV-36450	ENGINE GUARD PLATE BRACKET	1
51	DUPEXCAV-36451	BATTERY FIXING PLATE	1
52	DUPEXCAV-36452	LOCK NUT M6	4
53	DUPEXCAV-36453	HEX SOCKET HEAD CAP SCREW M6X12	4
54	DUPEXCAV-36454	FLAT WASHER D8	18
55	DUPEXCAV-36455	SPRING WASHER D8	18
56	DUPEXCAV-36456	BATTERY	1
57	DUPEXCAV-36457	BATTERY BASKET	1
58	DUPEXCAV-36458	BATTERY SLING	2
59	DUPEXCAV-36459	BATTERY MOUNTING PLATE	1

No.	Product code	Description	Quantity
60	DUPEXCAV-36460	BATTERY LOCK HOOK	2
61	DUPEXCAV-36461	LEFT AND RIGHT DECORATIVE PANELS	2
62	DUPEXCAV-36462	BATTERY BRACKET	1
63	DUPEXCAV-36463	GEAR MUDGUARD	1
64	DUPEXCAV-36464	CONNECTING HOSE WELDMENT FOR MUFFLER	1
65	DUPEXCAV-36465	MUFFLER - INSIDE TANK	1
66	DUPEXCAV-36466	LH MESH PANEL WELDING	1
67	DUPEXCAV-36467	RH MESH PANEL WELDING	1
68	DUPEXCAV-36468	MUFFLER ASSEMBLY	1
69	DUPEXCAV-36469	TOPS CANOPY SUPPORT	1
70	DUPEXCAV-36470	REARVIEW MIRROR	2
71	DUPEXCAV-36471	REARVIEW MIRROR MOUNTING ROD	2
72	DUPEXCAV-36472	REARVIEW MIRROR BRACKET	2
73	DUPEXCAV-36473	BOLT M8X20	4
74	DUPEXCAV-36474	NUT M8	4
75	DUPEXCAV-36475	HANDHOLD	1
76	DUPEXCAV-36476	FLAT WASHER D16	14
77	DUPEXCAV-36477	SPRING WASHER D16	14
78	DUPEXCAV-36478	BOLT M16X60	10
79	DUPEXCAV-36479	NUT M16	6



No.	Product code	Description	Quantity
1	DUPEXCAV-36501	RUBBER TRACK	2
2	DUPEXCAV-36502	BOLT M12X30	12
3	DUPEXCAV-36503	SPRING WASHER D12	40
4	DUPEXCAV-36504	WASHER	12
5	DUPEXCAV-36505	SEAL B20X47X7	12
6	DUPEXCAV-36506	CIRCLIP A47	12
7	DUPEXCAV-36507	BEARING 6204-2RS	12
8	DUPEXCAV-36508	SUPPORTING ROLLER	6
9	DUPEXCAV-36509	SUPPORTING ROLLER AXLE	6
10	DUPEXCAV-36510	FLANGE BOLT M8X16	16
11	DUPEXCAV-36511	TRACK-TENSION ADJUSTING HOLE COVER	2
12	DUPEXCAV-36512	SEAL D52XD28X7	4
13	DUPEXCAV-36513	CIRCLIP A25	4
14	DUPEXCAV-36514	BEARING 6005-2RS	4
15	DUPEXCAV-36515	FRONT IDLER	2
16	DUPEXCAV-36516	FRONT IDLER AXLE	2
17	DUPEXCAV-36517	BOLT M8X50	2
18	DUPEXCAV-36518	FLAT WASHER 8	16
19	DUPEXCAV-36519	SPRING WASHER 8	16
20	DUPEXCAV-36520	FRONT IDLER FIXING FRAME	2
21	DUPEXCAV-36521	NUT M20	2
22	DUPEXCAV-36522	HEX BOLT M20X130	2
23	DUPEXCAV-36523	RIGHT SIDE FRAME WELDMENT	1
24	DUPEXCAV-36524	BOLT M10X25	4
25	DUPEXCAV-36525	FLAT WASHER 10	4
26	DUPEXCAV-36526	SPRING WASHER 10	4
27	DUPEXCAV-36527	TRACK ROLLER FRAME	2
28	DUPEXCAV-36528	COTTER PIN 4X45	2
29	DUPEXCAV-36529	AXLE NUT 1-20UNEF	2
30	DUPEXCAV-36530	DRIVE SPROCKET	2
31	DUPEXCAV-36531	BOLT M12X50	8
32	DUPEXCAV-36532	HYDRAULIC MOTOR	2
33	DUPEXCAV-36533	FLAT WASHER 12	28
34	DUPEXCAV-36534	KEY Ø25	2
35	DUPEXCAV-36535	HEXAGON LOCK NUT M12	8
36	DUPEXCAV-36536	BLOT M12X70	20
37	DUPEXCAV-36537	CENTRAL SWING CIRCULAR SUPPORT	1
38	DUPEXCAV-36538	PIN 16X35	2
39	DUPEXCAV-36539	CENTRAL SWING CIRCULAR SUPPORT LUBRICATING JOINT	1
40	DUPEXCAV-36540	PD610 STRAIGHT FITTING	4
41	DUPEXCAV-36541	BLOT M8X30	8
42	DUPEXCAV-36542	CENTRAL ROTARY JOINT	1
43	DUPEXCAV-36543	CENTRAL ROTARY JOINT MOUNTING PLATE	1
44	DUPEXCAV-36544	GUIDE LIMIT BOLT M16X45	4

No.	Product code	Description	Quantity
45	DUPEXCAV-36545	FLAT WASHER 16	4
46	DUPEXCAV-36546	SPRING WASHER 16	4
47	DUPEXCAV-36547	BASE WELDMENT	1
48	DUPEXCAV-36548	BASE LOWER COVER PLATE	1
49	DUPEXCAV-36549	BOLT M6X16	4
50	DUPEXCAV-36550	FLAT WASHER 6	4
51	DUPEXCAV-36551	SPRING WASHER 6	4
52	DUPEXCAV-36552	DOZER CYLINDER GUARD PLATE	1
53	DUPEXCAV-36553	DOZER CYLINDER	1
54	DUPEXCAV-36554	BUCKET SHAFT SLEEVE	6
55	DUPEXCAV-36555	DOZER CYLINDER PIN WELDMENT	6
56	DUPEXCAV-36556	OIL CUP M6	12
57	DUPEXCAV-36557	BOLT M8X20	6
58	DUPEXCAV-36558	PIN	4
59	DUPEXCAV-36559	DOZER	1
60	DUPEXCAV-36560	RIGHT DOZER	1
61	DUPEXCAV-36561	LEFT DOZER	1
62	DUPEXCAV-36562	TRACK SIDE HYDRAULIC CYLINDER	1
63	DUPEXCAV-36563	LEFT SIDE FRAME WELDMENT	1
64	DUPEXCAV-36564	MOTOR COVER WELDMENT	2



No.	Product code	Description	Quantity
1	DUPEXCAV-36601	SHOVEL WELDMENT	1
2	DUPEXCAV-36602	BOOM WELDMENT	1
3	DUPEXCAV-36603	ARM WELDMENT	1
4	DUPEXCAV-36604	BOOM SWING FRAME	1
5	DUPEXCAV-36605	CONNECTING ROD	1
6	DUPEXCAV-36606	ARM ROCKER-RIGHT	1
7	DUPEXCAV-36607	ARM ROCKER-LEFT	1
8	DUPEXCAV-36608	BOOM OIL HOSE PRESSING PLATE-LONG	2
9	DUPEXCAV-36609	BOOM OIL HOSE PRESSING PLATE-SHORT	1
10	DUPEXCAV-36610	BOOM OIL HOSE CLAMP	2
11	DUPEXCAV-36611	QUICK COUPLER FIXED PLATE-LEFT	1
12	DUPEXCAV-36612	QUICK COUPLER FIXED PLATE-RIGHT	1
13	DUPEXCAV-36613	BOOM CYLINDER PROTECTIVE PLATE	1

No.	Product code	Description	Quantity
14	DUPEXCAV-36614	BOOM CYLINDER CONNECTOR PROTECTIVE PLATE	1
15	DUPEXCAV-36615	LIGHT MOUNTING PLATE	1
16	DUPEXCAV-36616	BUCKET CYLINDER	1
17	DUPEXCAV-36617	ARM CYLINDER	1
18	DUPEXCAV-36618	BOOM UP&DOWN CYLINDER	1
19	DUPEXCAV-36619	SHOVEL SWIVEL PIN WELDMENT	1
20	DUPEXCAV-36620	SHOVEL PIN WELDMENT	3
21	DUPEXCAV-36621	ARM CYLINDER PIN WELDMENT-SHORT	2
22	DUPEXCAV-36622	BOOM UPPER PIN WELDMENT	1
23	DUPEXCAV-36623	ARM CYLINDER PIN WELDMENT-LONG	1
24	DUPEXCAV-36624	BOOM CYLINDER PIN WELDMENT-LONG	1
25	DUPEXCAV-36625	"BOOM CYLINDER PIN WELDMENT-SHORT"	1
26	DUPEXCAV-36626	BOOM LOWER PIN WELDMENT	1
27	DUPEXCAV-36627	"BOOM SWING FRAME PIN SHAFT 40X240"	1
28	DUPEXCAV-36628	BUCKET TEETH	3
29	DUPEXCAV-36629	BUCKET CUTTER PLATE-LEFT	1
30	DUPEXCAV-36630	BUCKET CUTTER PLATE-RIGHT	1
31	DUPEXCAV-36631	BUCKET SHAFT SLEEVE 32X25X30	8
32	DUPEXCAV-36632	BUCKET SHAFT SLEEVE D32XD25X40	4
33	DUPEXCAV-36633	BUCKET SHAFT SLEEVE D40XD30X40	6
34	DUPEXCAV-36634	WORK LIGHT	1
35	DUPEXCAV-36635	GUIDE PLASTIC BLOCK	2
36	DUPEXCAV-36636	OIL CUP M6	11
37	DUPEXCAV-36637	NUT M10	6
38	DUPEXCAV-36638	SPRING WASHER 10	6
39	DUPEXCAV-36639	FLAT WASHER 10	6
40	DUPEXCAV-36640	BOLT M10X30	6
41	DUPEXCAV-36641	NUT M14	6
42	DUPEXCAV-36642	SPRING WASHER 14	6
43	DUPEXCAV-36643	FLAT WASHER 14	12
44	DUPEXCAV-36644	BOLT M14X40	6
45	DUPEXCAV-36645	LOCK NUT M10	1
46	DUPEXCAV-36646	BOLT M10X130	1
47	DUPEXCAV-36647	BOLT M8X20	6
48	DUPEXCAV-36648	SPRING WASHER 8	6
49	DUPEXCAV-36649	FLAT WASHER 8	6
50	DUPEXCAV-36650	BOLT M6X16	2
51	DUPEXCAV-36651	SPRING WASHER 6	10
52	DUPEXCAV-36652	FLAT WASHER 6	2
53	DUPEXCAV-36653	BOLT M8X50	4
54	DUPEXCAV-36654	NUT M8	8
55	DUPEXCAV-36655	HEX SOCKET HEAD CAP SCREW M6X40	8
56	DUPEXCAV-36656	THREE-WAY GLOBE VALVE(LEFT)	2

No.	Product code	Description	Quantity
57	DUPEXCAV-36657	THREE-WAY GLOBE VALVE(RIGHT)	2
58	DUPEXCAV-36658	STRAIGHT CONNECTOR	2
59	DUPEXCAV-36659	STRAIGHT CONNECTOR	2
60	DUPEXCAV-36660	STRAIGHT CONNECTOR	2
61	DUPEXCAV-36661	MALE QUICK COUPLING	1
62	DUPEXCAV-36662	FEMALE QUICK COUPLING	1