

LITTLE BEAVER

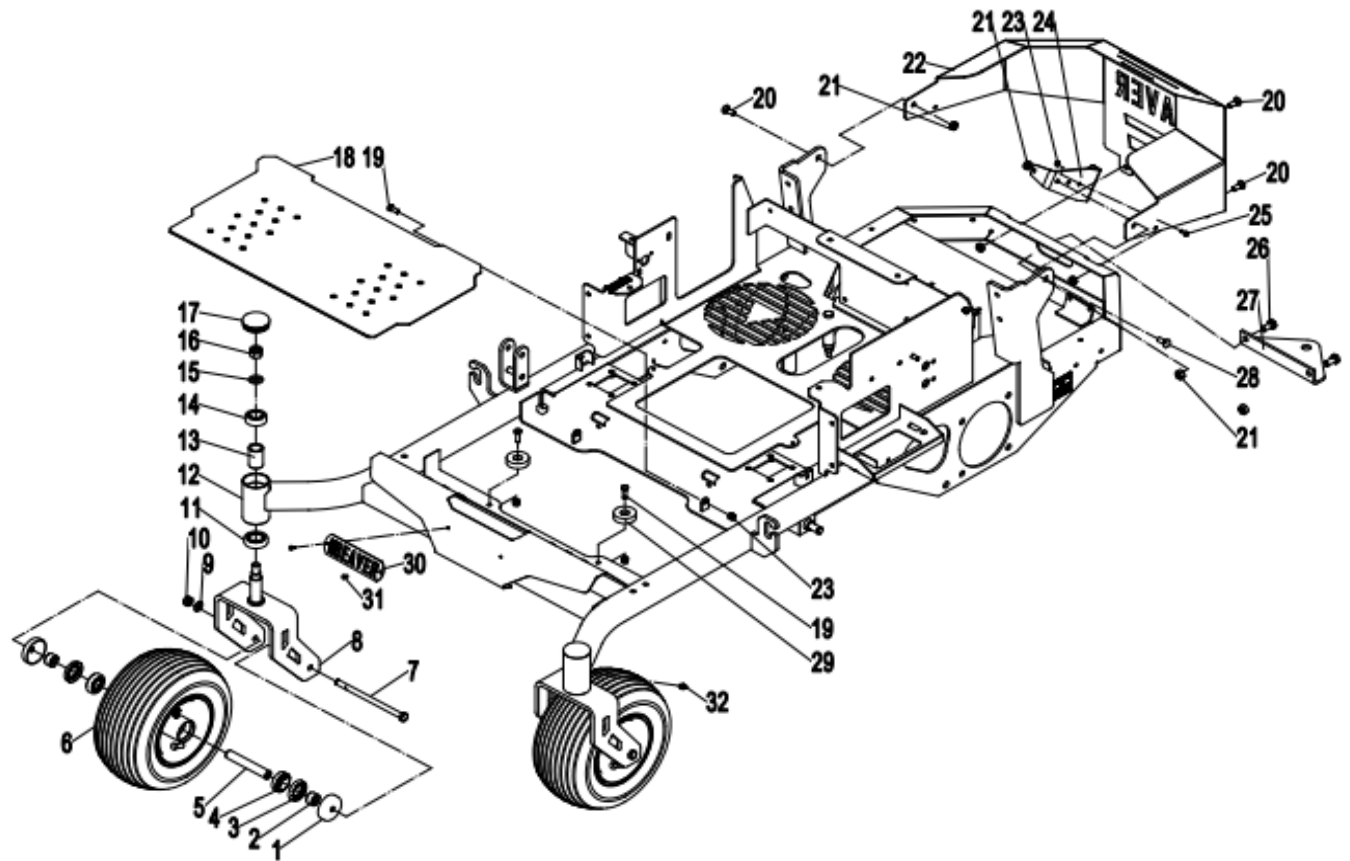
Equipment part manual

Model : DUEZT2452-T5400
Zero-Turn mower



Picture may not reflect the exact model

CHASSIS ASSEMBLY

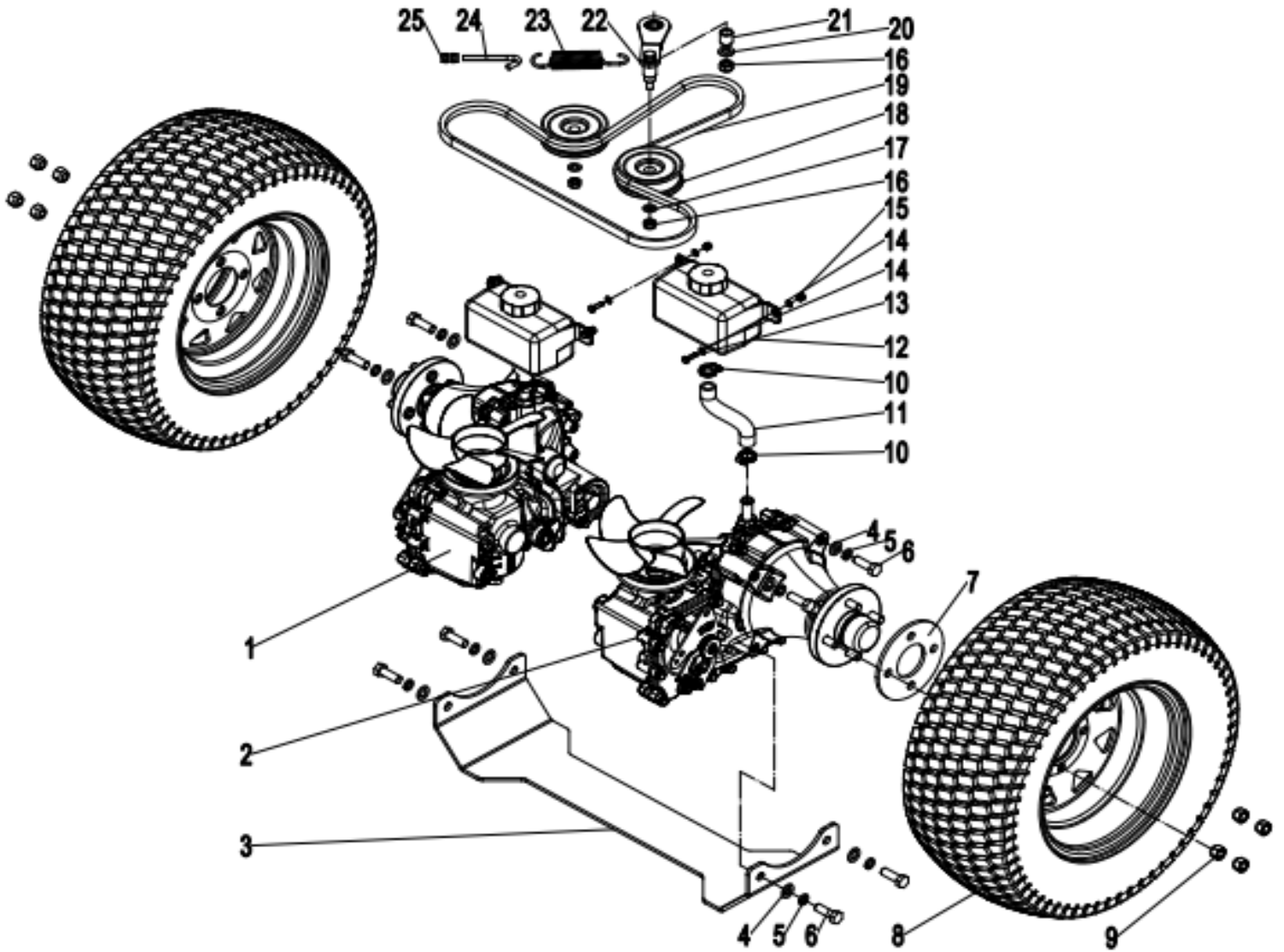


No.	Part number	Description	Specification	Qty
1	DUPZT4065160	Bearing Dust Cap		4
2	DUPZT7083520	Spacer		4
3	DUPZT7075009	Skeleton Grease Seal	30x50x8	4
4	DUPZT7061233	Tapered Roller Bearing	30204	4
5	DUPZT7083510	Bearing Spacer		2
6	DUPZT8032430	Caster Wheel	13x6.5-6	2
7	DUPZT7011288	Hex Bolt	M12x200	2
8	DUPZT4219841	Caster Wheel Fork		2
9	DUPZT7031221	Washer	Φ12	2
10	DUPZT7021204	Lock Nut	M12	2
11	DUPZT7061234	Tapered Roller Bearing	30205	2
12	DUPZT4035230	Chassis		1
13	DUPZT7085360	Spacer		2
14	DUPZT7060424	Deep Groove Ball Bearing	6204	2
15	DUPZT7031602	Washer	Φ16	2
16	DUPZT7021603	Lock Nut	M16	2

CHASSIS ASSEMBLY

No.	Part number	Description	Specification	Qty
17	DUPZT2131950	Dust Cap		2
18	DUPZT4018080	Tread Footrest		1
19	DUPZT7010820	Bolt	M8×20	4
20	DUPZT7181055	Bolt	M10×25	3
21	DUPZT7021004A	Lock Nut	M10	6
22	DUPZT4561390	Shield/Rear		1
23	DUPZT7020803A	Lock Nut	M8	5
24	DUPZT4021071	Brake Line retainer		1
25	DUPZT7010888	Hex Bolt	M8×20	1
26	DUPZT7011092	Hex Bolt	M10×20	2
27	DUPZT5090910	Bracket-Hitch		1
28	DUPZT7181061	Bolt	M10×30	1
29	DUPZT5040940	Seat Isolator		2
30	DUPZT6060215	Logo plate		1
31	DUPZT7030413	Rivet		2
32	DUPZT7320020	Grease Zerk	M8×1	2

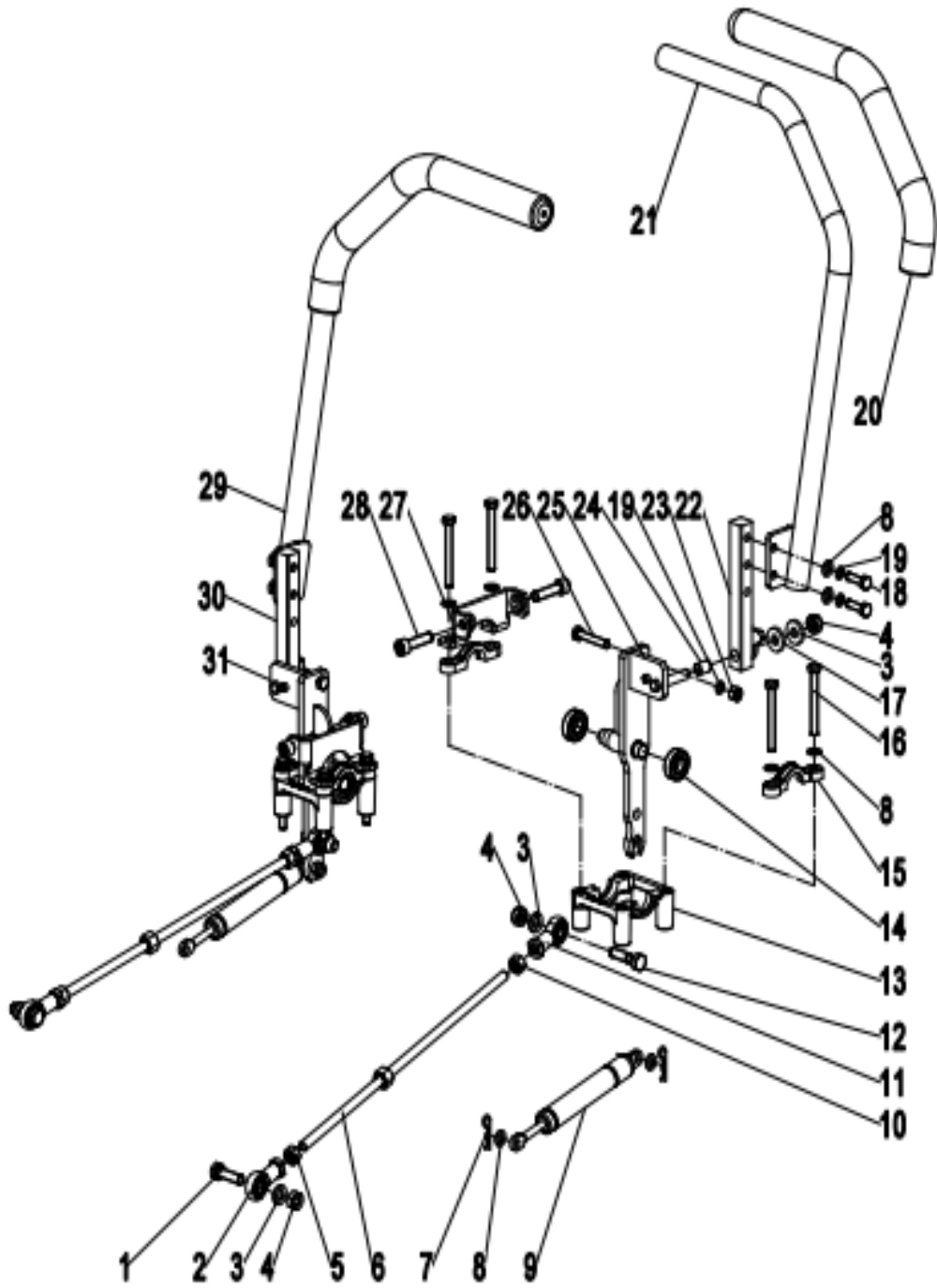
HYDROSTATIC TRANSAXLE/WHEEL ASSEMBLY



HYDROSTATIC TRANSAXLE/WHEEL ASSEMBLY

No.	Part number	Description	Specification	Qty
1	DUPZT1015-1101R	ZT5400,Rt		1
2	DUPZT1015-1101L	ZT5400,Lt		1
3	DUPZT4065120	Transaxle/Shield Panel		1
4	DUPZT7031221	Washer	Φ12	8
5	DUPZT7041202	Lock washer	Φ12	8
6	DUPZT7010070A	Inch Bolt	12-13UNC	8
7	DUPZT4020145	Plate		2
8	DUPZT8032420	Tire		2
9	DUPZT7010072A	Inch Wheel Hub Nut	1/2-20 UNF-2B	8
10	DUPZT7150017	Hose Clamp Screw Type	φ16-25	4
11	DUPZT2114620	Hose-Tank Overflow		2
12	DUPZT71938	Oil Reservoir		2
13	DUPZT7010667	Hex Blot	M6×20	4
14	DUPZT7030601	Washer	Φ6	8
15	DUPZT7020602	Hex Lock nut	M6	4
16	DUPZT7021004	Hex Lock Nut	M10	3
17	DUPZT7031009	Washer	Φ10	2
18	DUPZT1041300	105 Idler Pulley		2
19	DUPZT1051140	B69 Belt		1
20	DUPZT7031004	Big Washer	Φ10	1
21	DUPZT7083480	Spacer		1
22	DUPZT4012740	Welding of tension swing Rod		1
23	DUPZT7059600	Idler Pulley Spring		1
24	DUPZT4190370	J-Bolt Idler Adjustment		1
25	DUPZT7020819	Hex Flange Nut	M8	2

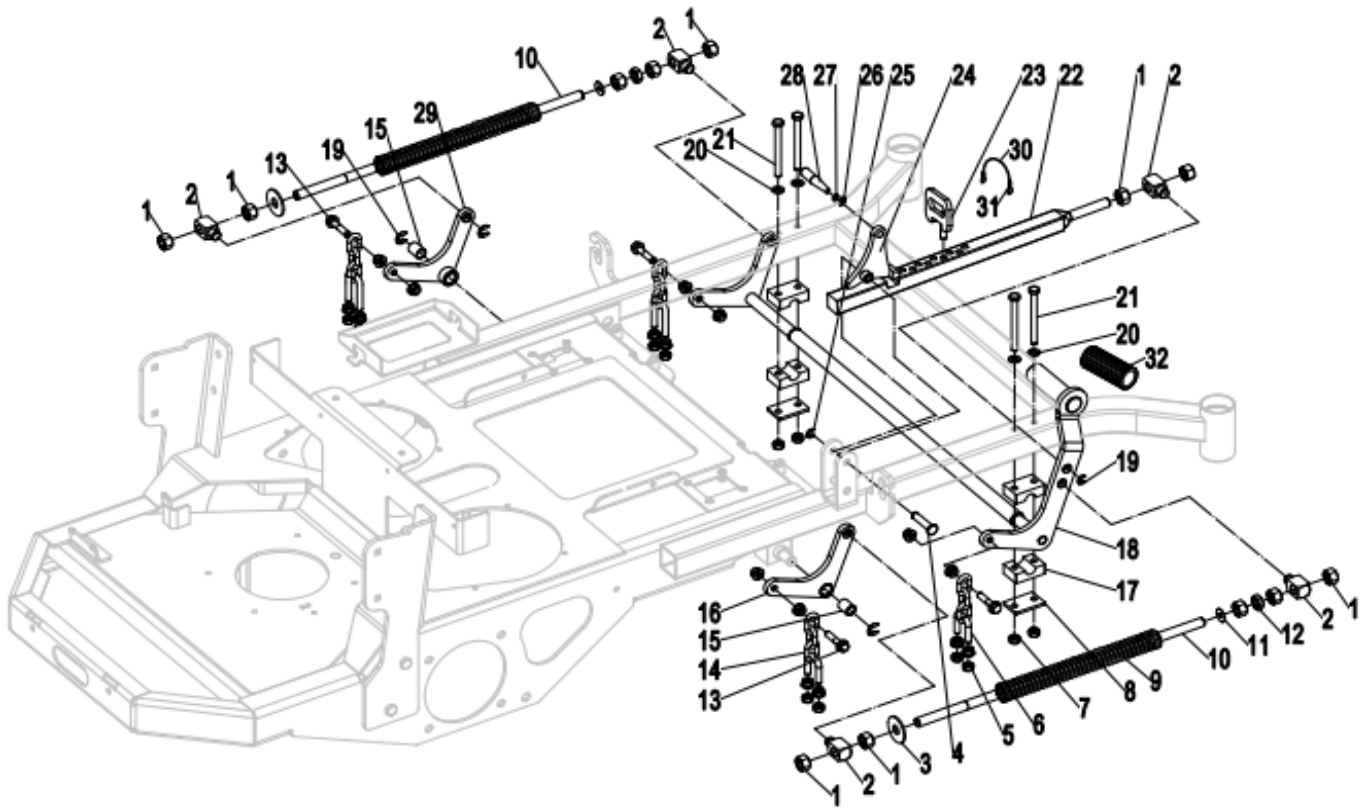
STEERING ASSEMBLY



STEERING ASSEMBLY

No.	Part number	Description	Specification	Qty
1	DUPZT7011019	Hex Bolt	M10×35	2
2	DUPZT7121002	Joint Bearing RH/Rod End	M10	2
3	DUPZT7031009	Washer	Φ10	6
4	DUPZT7021004A	Hex Lock Nut	M10	6
5	DUPZT7021012	Hex Nut	M10	2
6	DUPZT4051610	Linkage Rod-Steering		2
7	DUPZT7131806	D pin		4
8	DUPZT7030819	Washer	Φ8	16
9	DUPZT2020450	Damper		2
10	DUPZT7021036	Hex Nut	M10-L	2
11	DUPZT7121003	Joint Bearing LH/Rod End	M10-L	2
12	DUPZT7011025	Hex Bolt	M10×40	2
13	DUPZT4133431	Bearing Pedestal		2
14	DUPZT7060014	Bearing	6002-2RS	4
15	DUPZT4163010	Bearing Cap		4
16	DUPZT7010880	Hex Bolt	M8×70	8
17	DUPZT7083540	Plastic Washer		2
18	DUPZT7010821	Hex Bolt	M8×25	4
19	DUPZT7040802	Lock Washer	Φ8	8
20	DUPZT5010025	Handle Grip-Foam		2
21	DUPZT4012710	Steering Handle RH		1
22	DUPZT4310230	Control Arm /RH		1
23	DUPZT7020804	Hex Nut	M8	2
24	DUPZT7083810	Bearing w/Flange		2
25	DUPZT4261590	Motion Pivot/RH		1
26	DUPZT7010826	Hex Bolt	M8×45	2
27	DUPZT4220820	Limit Plate		2
28	DUPZT7241027	Inner Hexagon Screw	M10×40	4
29	DUPZT4012720	Steering Handle LH		1
30	DUPZT4261580	Motion Pivot/LH		1
31	DUPZT4310220	Control Arm /LH		1

DECK CARRIER ASSEMBLY

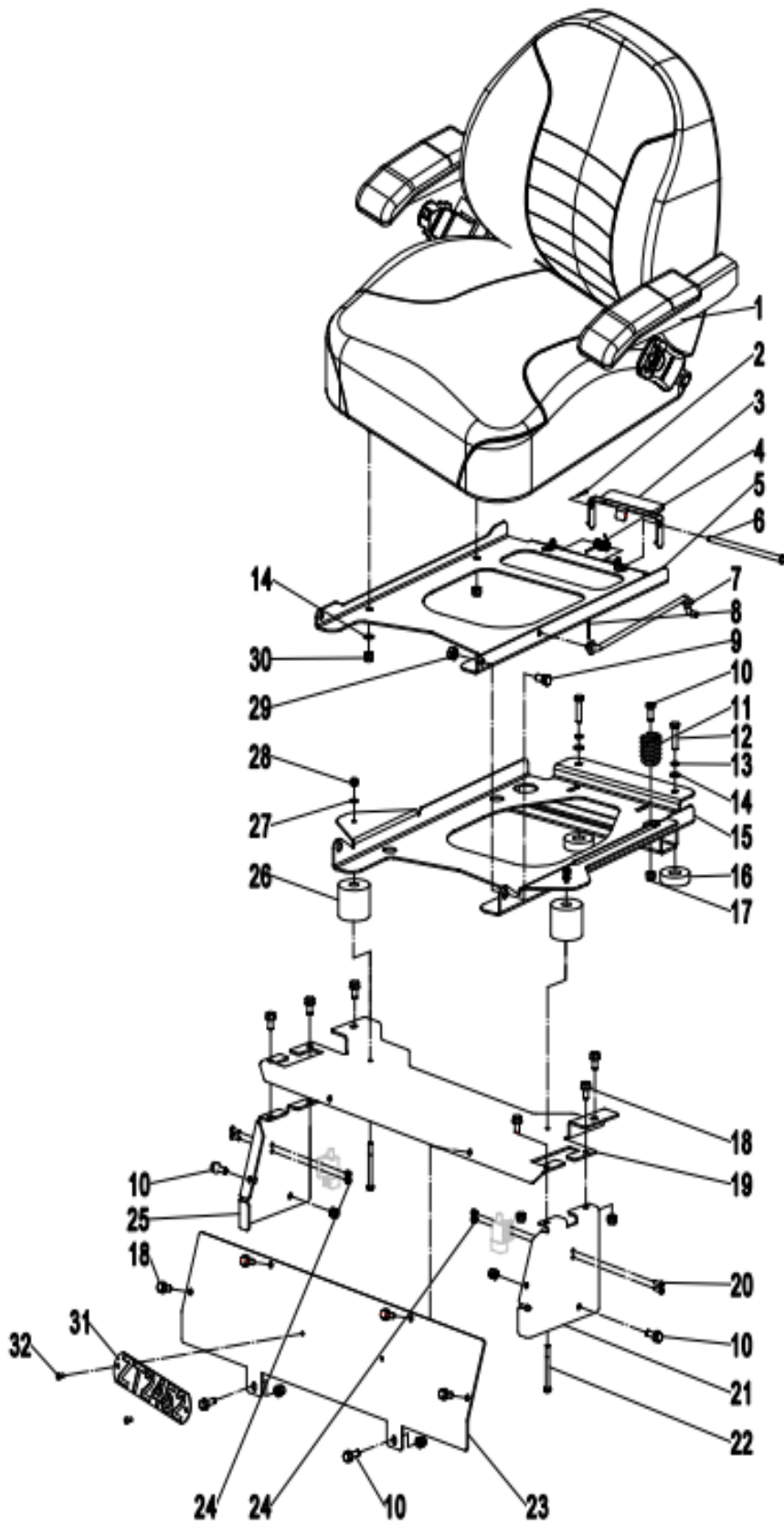


No.	Part number	Description	Specification	Qty
1	DUPZT7021607	Hex Nut	M16	12
2	DUPZT4310200	Shaft-Spring Rod Mount		5
3	DUPZT7031602	Washer	Φ16	2
4	DUPZT7133200	Pivot Pin		1
5	DUPZT7021015	Hex Flange Nut	M10	24
6	DUPZT7291006	U Bolt		4
7	DUPZT7021004	Hex Lock Nut	M10	4
8	DUPZT4151750	Lift Bearing Lower Plate		2
9	DUPZT7052503	Spring-Compression		1
10	DUPZT4181270	Spring Shaft		2
11	DUPZT7031613	Big Washer	Φ16	2
12	DUPZT7021605	Hex Thin Nut	M16	2
13	DUPZT7011135	Hex Flange Bolt	M10×45	4
14	DUPZT7291006	U Bolt		4
15	DUPZT7083500	Copper Bushing		2
16	DUPZT4051620	Deck Rocker RH		1
17	DUPZT4310210	Lift Bearing Block		4
18	DUPZT4051630	Lift Lever		1
19	DUPZT7141203	Snap Ring	Φ12	7
20	DUPZT7031009	Washer	Φ10	4

DECK CARRIER ASSEMBLY

No.	Part number	Description	Specification	Qty
21	DUPZT7011080	Hex Bolt	M10×110	4
22	DUPZT4220640	Adjustment Square Rod		1
23	DUPZT7133350	Deck Pin		1
24	DUPZT4220650	Deck Latch		1
25	DUPZT7140901	Snap Ring	Φ9	1
26	DUPZT7030819	Washer	Φ8	1
27	DUPZT7040802	Lock Washer	Φ8	1
28	DUPZT4010094	Deck Latch Lever		1
29	DUPZT4051640	Deck Rocker LH		1
30	DUPZT4170165	Wire Rope		1
31	DUPZT7084410	Aluminum sleeve	2.2×4.4×7	2
32	DUPZT5041140	Bushing		1

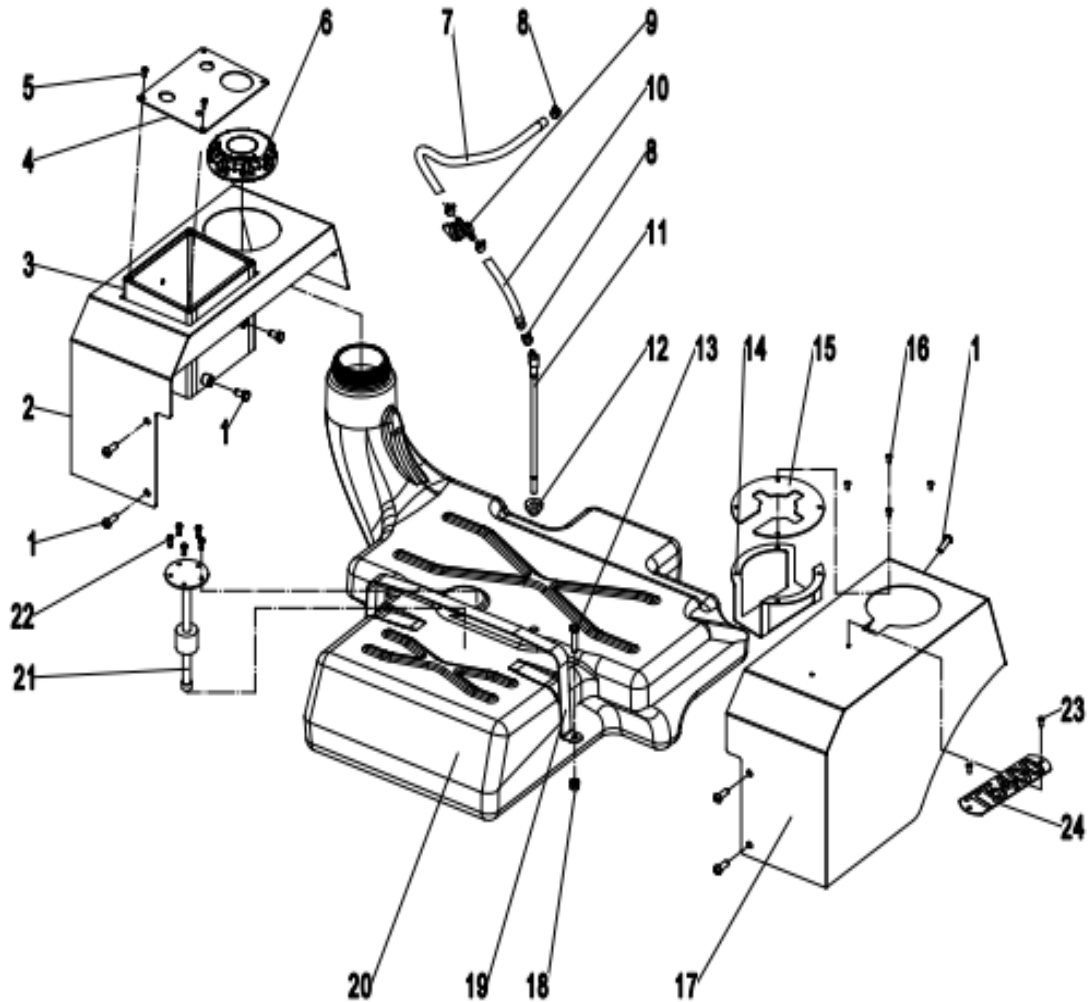
SEAT ASSEMBLY



SEAT ASSEMBLY

No.	Part number	Description	Specification	Qty
1	DUPZT5080070	Seat		1
2	DUPZT7131806	D Pin		1
3	DUPZT4260870	Seat-Latch Plate		1
4	DUPZT7051214	Spring-Torsion		1
5	DUPZT4123830	Sliding Plate-Seat		1
6	DUPZT1013110	Hinge Pin		1
7	DUPZT4190380	Rod-Prop		1
8	DUPZT7130206	Cotter Pin		1
9	DUPZT7181620	Pivot Bolt	M10	2
10	DUPZT7010820	Hex Flange Bolt	M8×20	2
11	DUPZT7053004	Seat Spring		2
12	DUPZT7010837	Hex Bolt	M8×35	2
13	DUPZT7040802	Lock Washer	Φ8	2
14	DUPZT7030819	Washer	Φ8	6
15	DUPZT4136140	Mount Plate-Seat		1
16	DUPZT5040940	Seat Isolator		2
17	DUPZT7020803A	Lock Nut	M8	6
18	DUPZT7010894	Hex Flange Bolt	M8×16	14
19	DUPZT4136150	Seat Bottom Front Fender		1
20	DUPZT7260531	Cross Recess Head Screw	M5×16	4
21	DUPZT4067010	Left Shield		1
22	DUPZT7010684	Hex Bolt	M6×70	2
23	DUPZT4067140	Front Plate		1
24	DUPZT7020505A	Lock Nut	M5	4
25	DUPZT4067020	Right Shied		1
26	DUPZT4160570	Rubber Cushion		2
27	DUPZT7030601	Washer	Φ6	2
28	DUPZT7020602	Lock Nut	M6	2
29	DUPZT7021004A	Lock Nut	M10	2
30	DUPZT7020015A	Lock Nut	5/16-18	4
31	DUPZT6060221	Plate		1
32	DUPZT7030413	Rivet		2

FUEL TANK AND FENDER ASSEMBLY

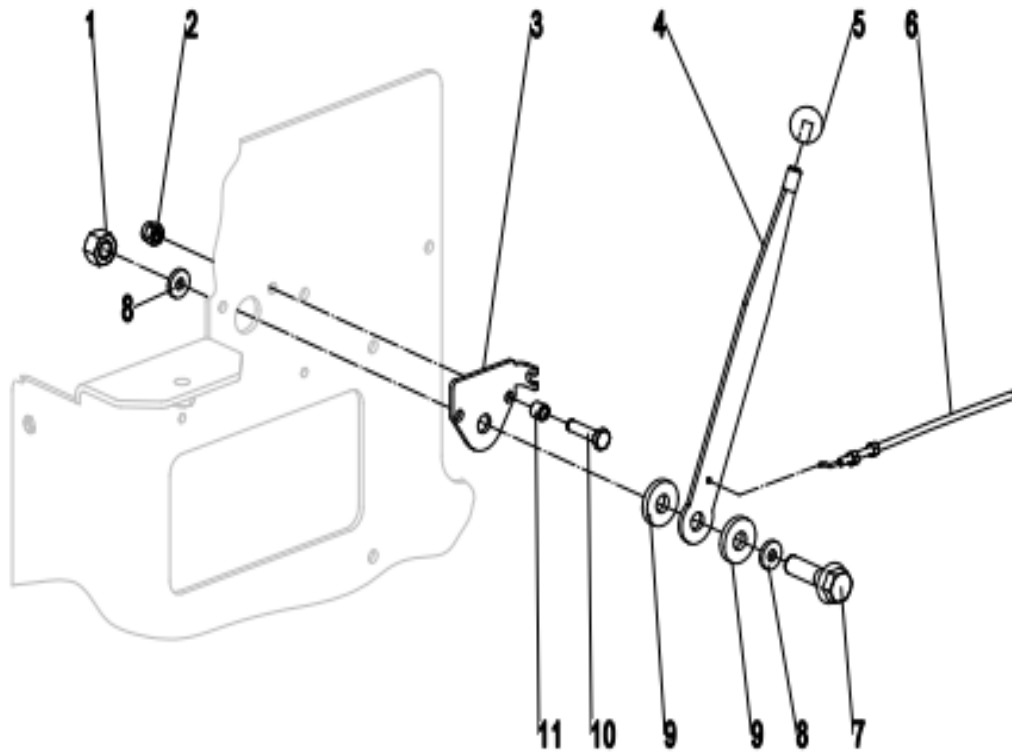


No.	Part number	Description	Specification	Qty
1	DUPZT7010894	Hex Flange Bolt	M8×16	9
2	DUPZT4065170	Fender/Rt		1
3	DUPZT6069330	Console Mount		1
4	DUPZT6069323	Console		1
5	DUPZT7260521	Cross Recess Head Screw	M5×16	4
6	DUPZT2080590	Fuel Cap		1
7	DUPZT2115940-EPA	1/4"Fuel Line		1
8	DUPZT7150170	Hose Clamp-Spring		4
9	DUPZT90.CPB007	Oil Circuit switch		1
10	DUPZT2115930-EPA	1/4"Fuel Line		1
11	DUPZT2114610	Fuel Tube		1
12	DUPZT7083440	Bushing-Fuel Tube		1
13	DUPZT7010893	Hex Bolt	M8×30	2
14	DUPZT4162400	Cup holder		1

RÉSERVOIR DE CARBURANT ET ENSEMBLE GARDE-BOUE

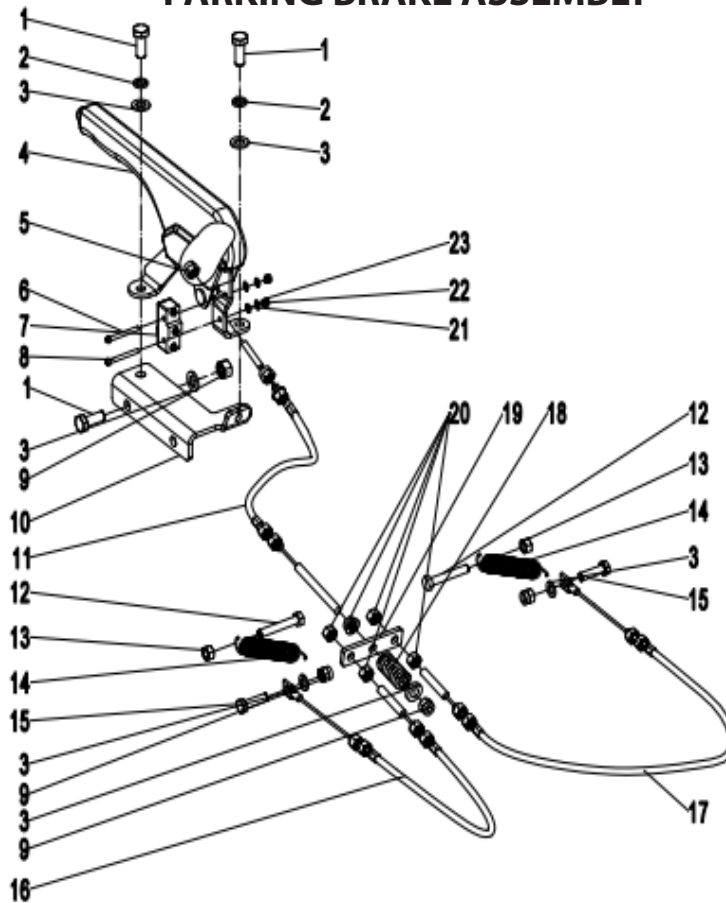
No.	Part number	Description	Specification	Qty
15	DUPZT4162390	Cup holder Shim		1
16	DUPZT7230505	Rivet	4.8×10	4
17	DUPZT4065210	Fender/Lt		1
18	DUPZT7020803A	Lock Nut	M8	2
19	DUPZT4151760	Tank Strap		1
20	DUPZT2080570-EPA	Fuel Tank		1
21	DUPZT9100700	Oil Level Sensor		1
22	DUPZT4004083	Self-tapping screw	4.8×20	5
23	DUPZT7030413	Rivet		2
24	DUPZT6060226	Plate		1

THROTTLE CONTROL ASSEMBLY



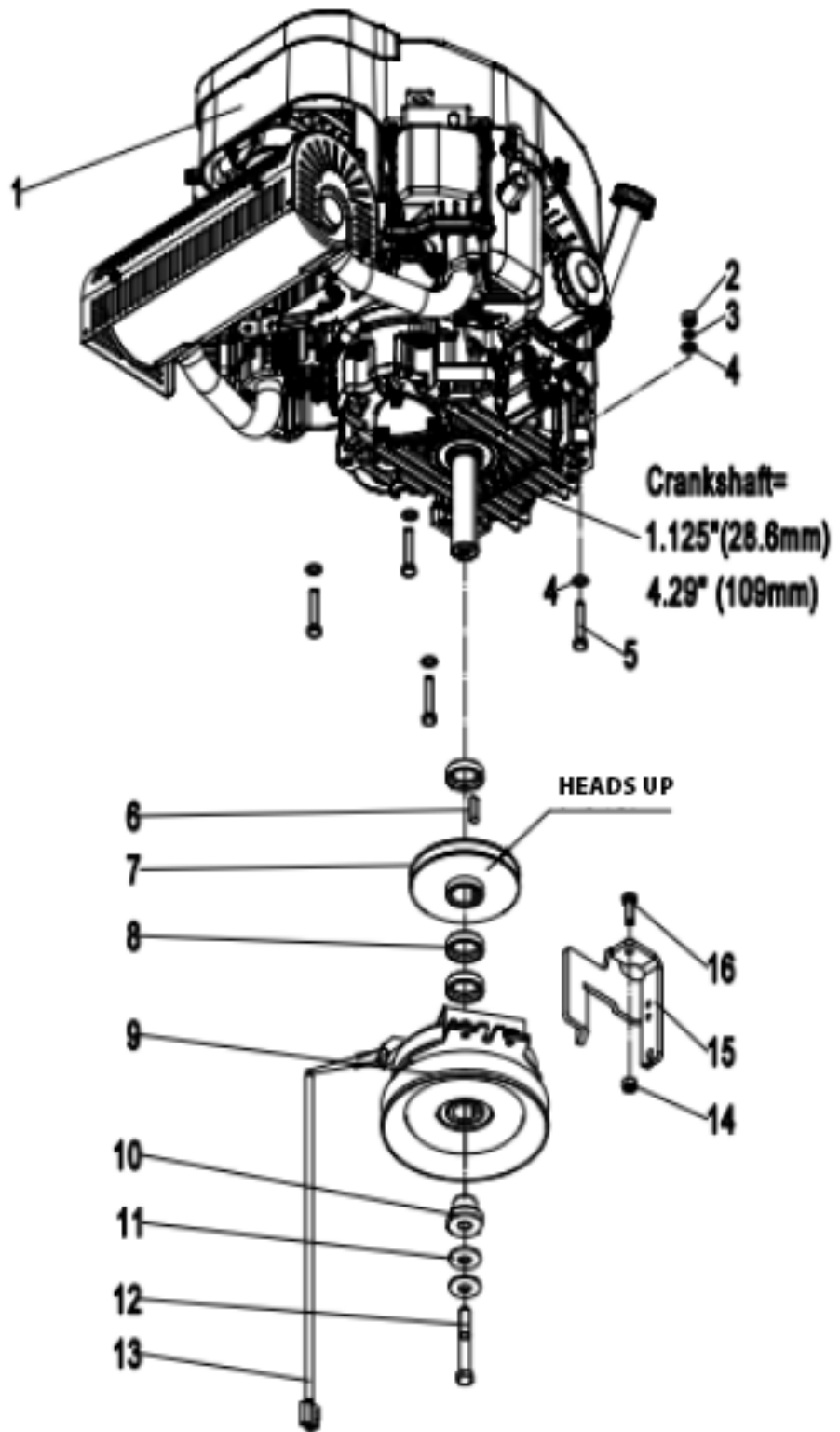
No.	Part number	Description	Specification	Qty
1	DUPZT7021004A	Lock Nut	M10	1
2	DUPZT7020602A	Lock Nut	M6	2
3	DUPZT4133440	Throttle Mount Plate		1
4	DUPZT4013400	Throttle Control Lever		1
5	DUPZT5011209	Hand Knob	M8	1
6	DUPZT5072290	Throttle Cable		1
7	DUPZT7011095	Hex Bolt	M10×30	1
8	DUPZT7031009	Washer	Φ10	2
9	DUPZT7083540	Washer		2
10	DUPZT7010665	Hex Bolt	M6×25	2
11	DUPZT7083530	Spacer		2

PARKING BRAKE ASSEMBLY



No.	Part number	Description	Specification	Qty
1	DUPZT7010821	Hex Bolt	M8×25	2
2	DUPZT7040801	Lock Washer	Φ8	2
3	DUPZT7030801	Washer	Φ8	2
4	DUPZT4041520	Parking Brake Handle		1
5	DUPZT7020602A	Lock Nut	M6	1
6	DUPZT7260424	Cross Recess Head Screw	M4×40	1
7	DUPZT9010480	Switch		1
8	DUPZT7260420	Cross Recess Head Screw	M4×30	1
9	DUPZT7020803A	Lock Nut	M8	5
10	DUPZT4133420	Mount-Parking Brake		1
11	DUPZT5072230	Center Brake Linkage		1
12	DUPZT7010136A	Inch Bolt	5/16-18×1 1/4	2
13	DUPZT7010074A	Inch Nut	5/16×18	2
14	DUPZT7051616	Brake Neutral Return Spring		2
15	DUPZT7010893	Hex Bolt	M8×30	2
16	DUPZT5072240	Left Brake Linkage		1
17	DUPZT5072250	Right Brake Linkage		1
18	DUPZT7051612	Compression Spring		1
19	DUPZT4021070	Brake Linkage Mount Board		1
20	DUPZT7020819	Hex Flange Nut	M8	5
21	DUPZT7030401	Washer	Φ4	2
22	DUPZT7040402	Lock Washer	Φ4	2
23	DUPZT7020401	Nut	M4	2

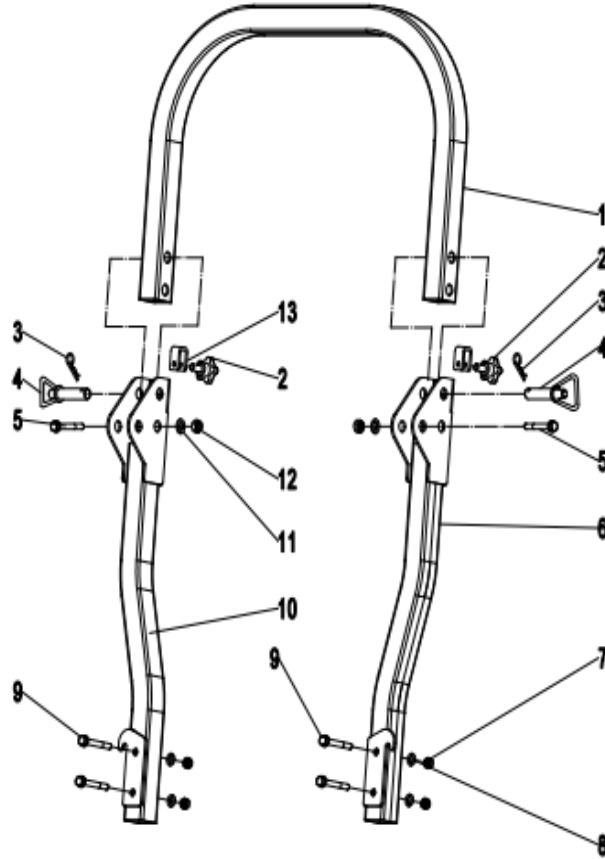
ENGINE ASSEMBLY



ENGINE ASSEMBLY

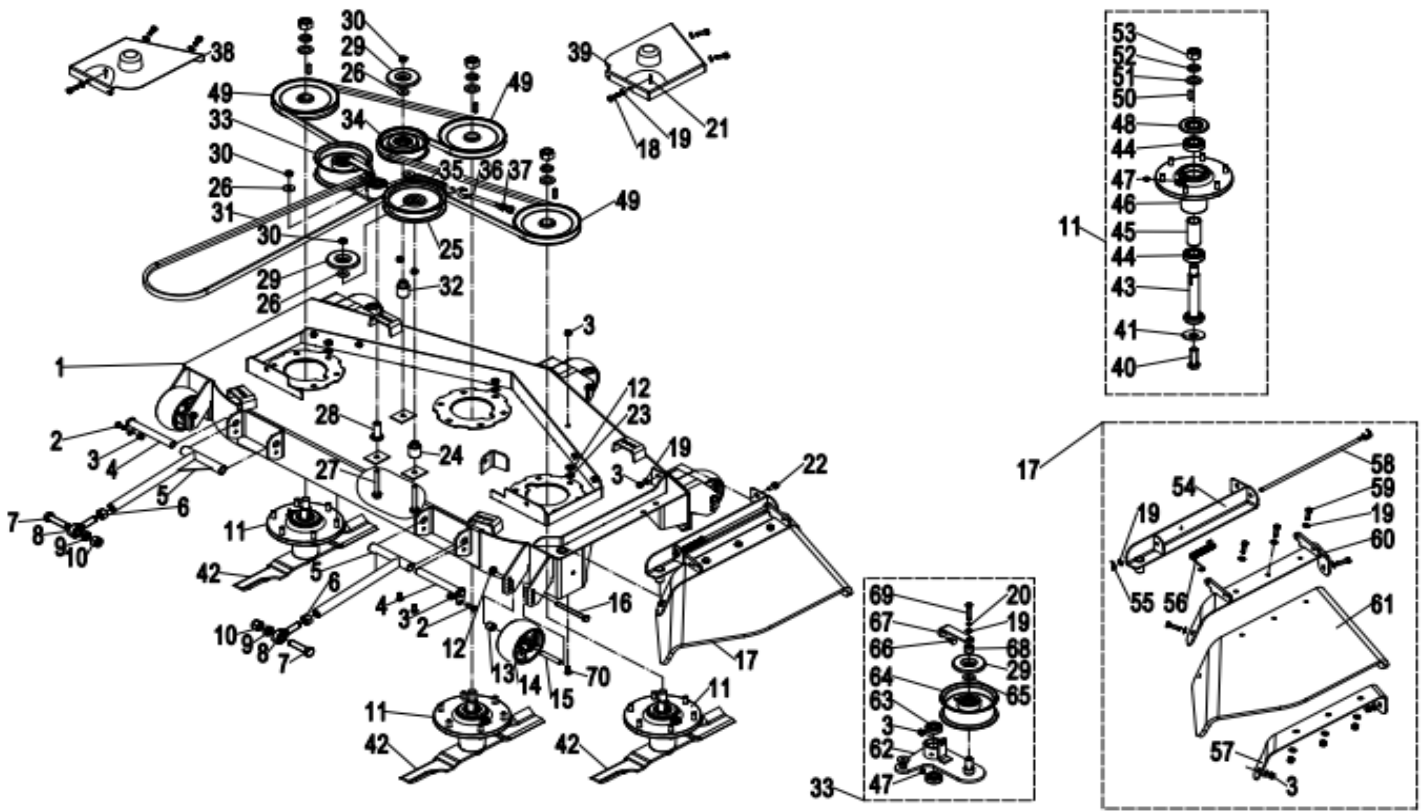
No.	Part number	Description	Specification	Qty
1	DUPZTLC2P82F-L3051	Engine		1
2	DUPZT7020804	Hex Nut	M8	4
3	DUPZT7040802	Lock Washer	Ø8	4
4	DUPZT7030819	Washer	Ø8	8
5	DUPZT7010814	Hex Bolt	M8×40	4
6	DUPZT7110608A	Key	6.35×6.35×30	1
7	DUPZT1041673	Pulley		1
8	DUPZT4124421	Spacer		3
9	DUPZT7101445	Electromagnetic PTO Clutch		1
10	DUPZT4124423	Clutch Sleeve		1
11	DUPZT4071060	Clutch Plate		2
12	DUPZT7010140A	Inch Bolt	7/16-20×2 1/2	1
13	DUPZT9054890	Transfer Harness		1
14	DUPZT7020803A	Hex Lock Nut	M8	1
15	DUPZT4221230	Clutch Plate		1
16	DUPZT7010821	Hex Bolt	M8×25	1

ROPS ASSEMBLY



No.	Part number	Description	Specification	Qty
1	DUPZT4260841	U-Shape Bar		1
2	DUPZT5013230	Knob	M12×25	2
3	DUPZT7133130	Cotter Pin		2
4	DUPZT7133220	Lock Pin		2
5	DUPZT7011301	Hex Bolt	M12×80	2
6	DUPZT4260851	Right Arm		1
7	DUPZT7021004A	Lock Nut	M10	4
8	DUPZT7011064	Hex Bolt	M10×80	4
9	DUPZT4260861	Left Arm		1
10	DUPZT7031221	Washer	Φ12	2
11	DUPZT4162520	Springle Cushion		2
12	DUPZT7021204A	Lock Nut	M12	2

52" MOWER DECK ASSEMBLY



No.	Part number	Description	Specification	Qty
1	DUPZT4243700	52" Cutting Deck		1
2	DUPZT7010888	Hex Bolt	M8×20	2
3	DUPZT7020821	Hex Lock Nut	M8	8
4	DUPZT4181260	Locking Pin - Roller		2
5	DUPZT4260810	Radius Arm Assembly		2
6	DUPZT7021607	Hex Nut	M16	2
7	DUPZT7011622	Hex Bolt	M16×60	2
8	DUPZT7121601	Seal Wheel/Rod End	M16	2
9	DUPZT7021605	Thin Hex Nut	M16	2
10	DUPZT7021640	Hex Lock Nut	M16	2
11	DUPZTB500636	Blade Shaft Assembly		3
12	DUPZT7021004A	Hex Nut	M10	23
13	DUPZT4262150-03	Spacer		5
14	DUPZT8011800	Anti-Scalp Roller		5
15	DUPZT4240585	Spacer		5
16	DUPZT7011151	Hex Bolt	M10×100	5
17	DUPZTB000424-01	Ejection Rubber Guard		1
18	DUPZT7016560	Hex Bolt	M8×25	6
19	DUPZT7030819	Washer	Ø8	21

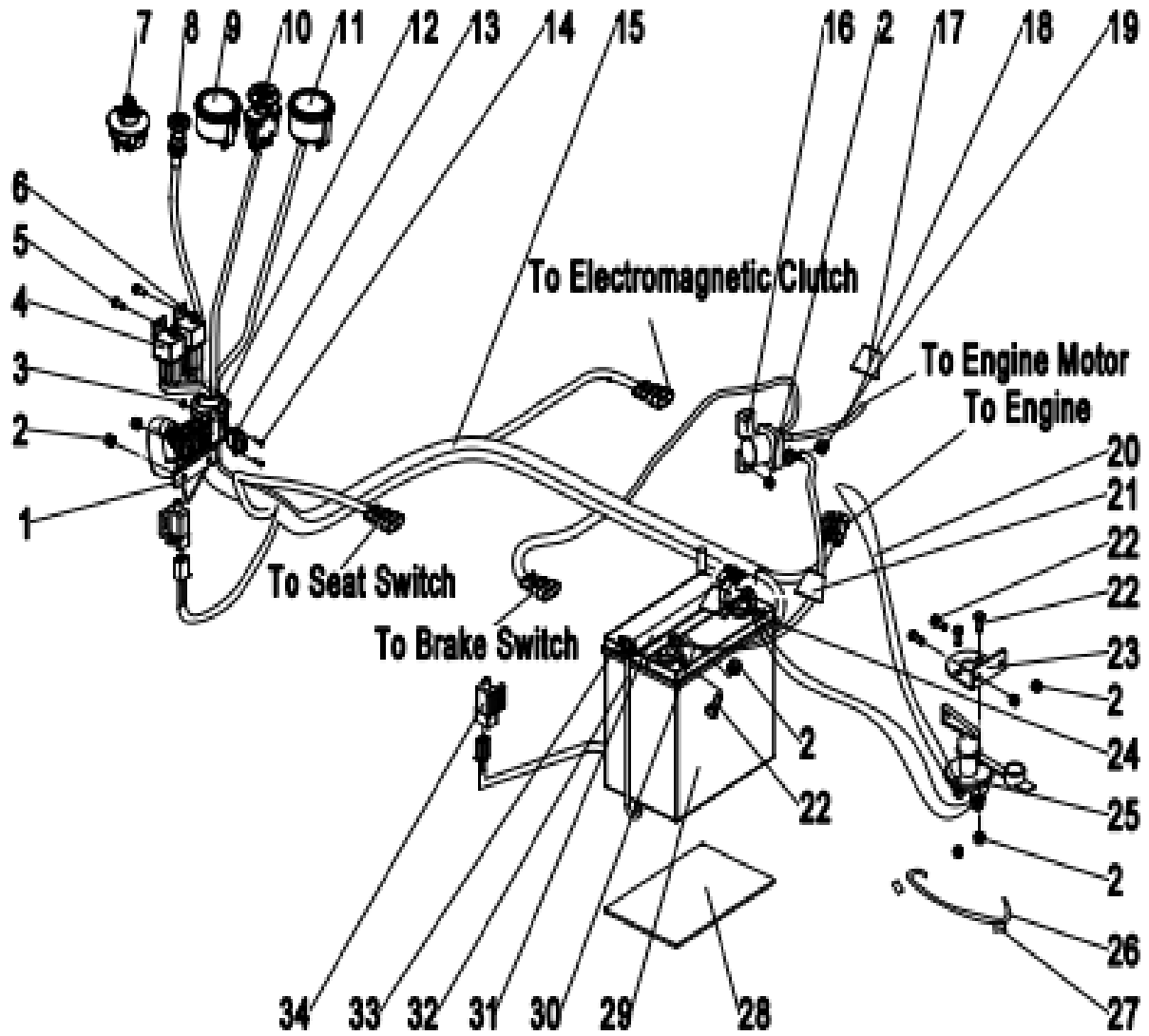
52" MOWER DECK ASSEMBLY

No.	Part number	Description	Specification	Qty
20	DUPZT7040802	Locking Washer	Φ8	1
21	DUPZT7130204	Pin		6
22	DUPZT7010820	Hex Bolt	M8×20	1
23	DUPZT7031009	Washer	Φ10	18
24	DUPZT4241676	Fixed Tension Shaft		1
25	DUPZT1041690	Deck Support		1
26	DUPZT7031004	Large Washer	Φ10	3
27	DUPZT7011123	Hex Bolt	M10×80	3
28	DUPZT4241678	Dynamic Tension Shaft		1
29	DUPZT4061205	Dust Cover		3
30	DUPZT7021004	Hex Nut	M10	3
31	DUPZT1051130	Bando B179 Belt		1
32	DUPZT4241677	Fixed Tension Shaft		1
33	DUPZT1041810	Reverse Pulley Assembly		1
34	DUPZT1041700	Reverse Pulley		1
35	DUPZT7059750	Reverse Pulley Spring		1
36	DUPZT7181005	Hook Bolt	M10×70	1
37	DUPZT7021015	Hex Flange Nuts	M10	2
38	DUPZT4561400	Left Belt Guard		1
39	DUPZT4561410	Guard Straight belt		1
40	DUPZT7011606	Hex bolt	M16×1.5×50	3
41	DUPZT4152540	Plate		3
42	DUPZT3010751	Blade		3
43	DUPZT1014040	Spindle shaft		3
44	DUPZT7061232	Deep groove ball bearing	6205-DDU	6
45	DUPZT4120860	Bearing spacer		3
46	DUPZT4070440	Spindle housing		3
47	DUPZT7320020	Grease fitting	M8×1	4
48	DUPZT4065201	Bearing guard		3
49	DUPZT1041660	Pulley	B168	3
50	DUPZT7110803	Square key	8×7×30	2
51	DUPZT7032006	Washer	Φ20	3
52	DUPZT7042003	Lock washer	Φ20	3
53	DUPZT7022004	Hex nut	M20×1.5	3
54	DUPZT4301460	Ejection mounting guard		1
55	DUPZT7131806	D-pin		2
56	DUPZT7051015	Torsion spring		1
57	DUPZT4151730	Lower mounting plate		1
58	DUPZT1014340	Connecting shaft		1
59	DUPZT7010893	Hex bolt	M8×30	5
60	DUPZTB000424-01-01	Fold weld		1
61	DUPZT4065070	Rubber guard		1
62	DUPZT4018671	Tension arm - Mule drive		1

52" MOWER DECK ASSEMBLY

No.	Part number	Description	Specification	Qty
63	DUPZT7061223	Deep groove ball bearing	6203-DDU	2
64	DUPZT1041711	Cutter deck support		1
65	DUPZT7030813	Large washer	Ø8	1
66	DUPZT7180812	Square neck bolt	M8×20	1
67	DUPZT4018673	Stripping guard plate		1
68	DUPZT4018672	Spacer		1
69	DUPZT7010826	Hex bolt	M8×45	1
70	DUPZT7010847	Hex bolt	M8×16	4

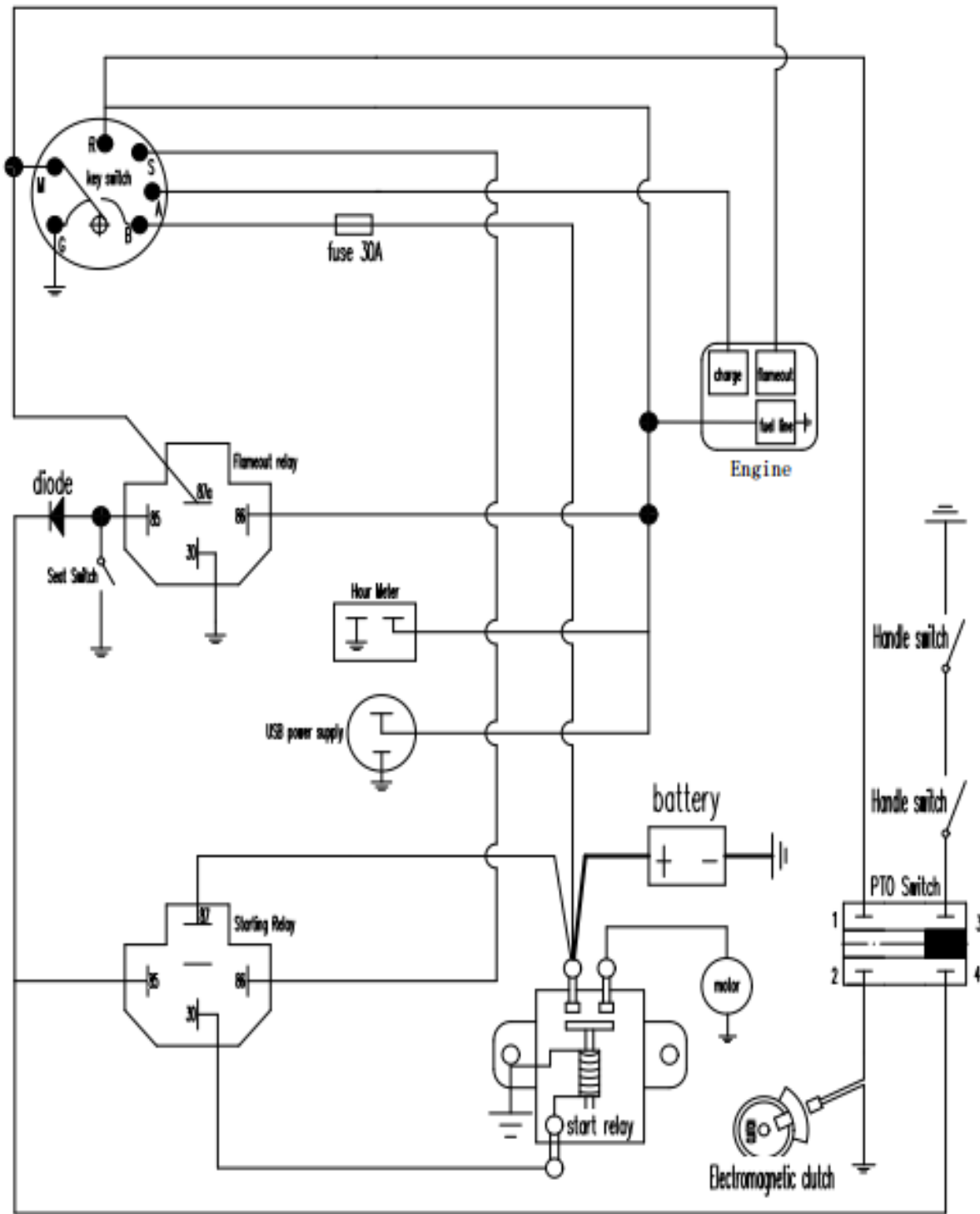
ELECTRICAL ASSEMBLY



ELECTRICAL ASSEMBLY

No.	Part number	Description	Specification	Qty
1	DUPZT4133450	Fuse Block		1
2	DUPZT7020602A	Hex Lock Nut	M6	4
3	DUPZT7020303A	Hex Lock Nut	M3	8
4	DUPZT9021001	Relay		2
5	DUPZT7010502	Hex Bolt	M5×12	2
6	DUPZT7020505A	Hex Lock Nut	M5	2
7	DUPZTAES-1311-53A	Ignition Switch		1
8	DUPZT5072330	Choke Control		1
9	DUPZT9100669	Electric Change and Hour Meter		1
10	DUPZT9010548	PTO Clutch Switch		1
11	DUPZT9100690	Oil level gauge		1
12	DUPZT9010484	Fuse	30A	2
12	DUPZT9010486	Fuse	10A	2
13	DUPZT9010483	Fuse Holder		4
14	DUPZT7260305	Cross Recess Head Screw	M3×12	8
15	DUPZT9053810	Main Harness		1
16	DUPZT9020280	Starting Relay		1
17	DUPZT6631003	Power cord protection cap		3
18	DUPZT9053192	Harness		1
19	DUPZT7020602A	Hex Nut	M6	4
20	DUPZT9053182	Harness		2
21	DUPZT6631002	Cathode Protective Cap		1
22	DUPZT7010662	Hex Bolt	M6×16	6
23	DUPZT4133455	Plate		1
24	DUPZT6631001	Negative protection cap		1
25	DUPZT9210450	Main power switch		1
26	DUPZT4170165	Wire Rope		1
27	DUPZT7084410	Aluminum sleeve	2.2×4.4×7	2
28	DUPZT5041160	Battery cushion		1
29	DUPZT9070335	Battery		1
30	DUPZT9053172	Positive electrode bundle		1
31	DUPZT4151770	Battery Hold Down Plate		1
32	DUPZT4181281	Battery Hold Down Strap Rod		2
33	DUPZT7020606	Wing Nut		2
34	DUPZT9010495	Switch		2

ELECTRICAL DIAGRAM



1. Key switch schematic diagram

off: M+G+A

RUN: R+B+A

START: S+B+R

2. PTO switch schematic diagram

press down: 3 and 4 Conduction, 1 and 2 break;

pull up: 1 and 2 Conduction, 3 and 4 break.