

# LITTLE BEAVER

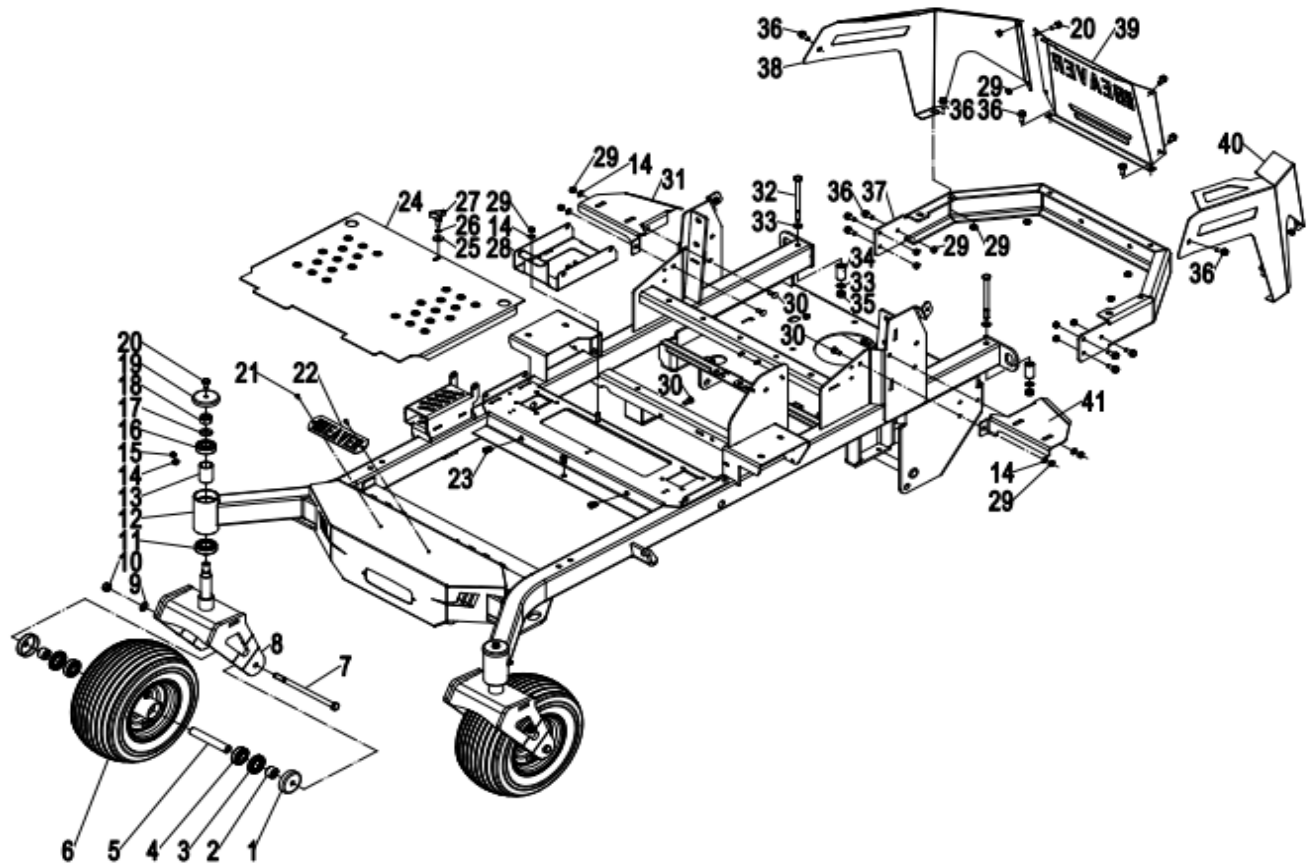
## Equipment parts manual

**Model : DUEZT2460-T3800**  
**Zero-turn mower**



Picture may not reflect the exact model

## CHASSIS ASSEMBLY

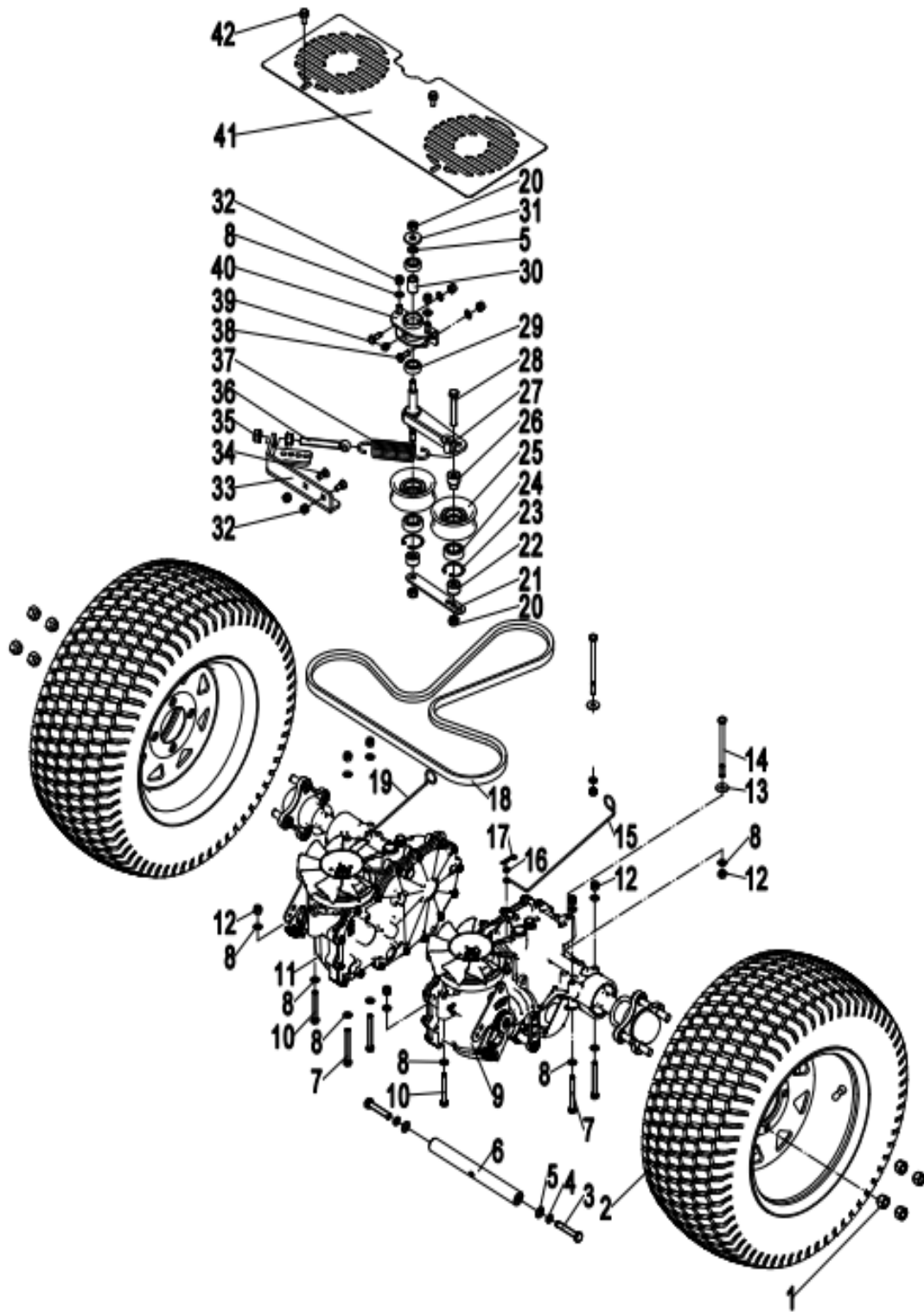


| No. | Part number   | Description              | Specification | Qty |
|-----|---------------|--------------------------|---------------|-----|
| 1   | DUPZT4065160  | Bearing Dust Cap         |               | 4   |
| 2   | DUPZT7083520  | Spacer                   |               | 4   |
| 3   | DUPZT7075009  | Skeleton Grease Seal     | 30x50x8       | 4   |
| 4   | DUPZT7061233  | Tapered Roller Bearing   | 30204         | 4   |
| 5   | DUPZT7083510  | Bearing Spacer           |               | 2   |
| 6   | DUPZT8032430  | Caster Wheel             | 13x6.5-6      | 2   |
| 7   | DUPZT7011288  | Hex Bolt                 | M12x200       | 2   |
| 8   | DUPZT4034987  | Caster Wheel Fork        |               | 2   |
| 9   | DUPZT7031201  | Washer                   | Φ12           | 2   |
| 10  | DUPZT7021204A | Lock Nut                 | M12           | 2   |
| 11  | DUPZT7061234  | Tapered Roller Bearing   | 30205         | 2   |
| 12  | DUPZT4039602  | Chassis                  |               | 1   |
| 13  | DUPZT7085360  | Spacer                   |               | 2   |
| 14  | DUPZT7030819  | Washer                   | Φ8            | 8   |
| 15  | DUPZT7320020  | Grease Zerk              | M8x1          | 2   |
| 16  | DUPZT7060401  | Deep Groove Ball Bearing | 6204          | 2   |

## CHASSIS ASSEMBLY

| No. | Part number   | Description            | Specification | Qty |
|-----|---------------|------------------------|---------------|-----|
| 17  | DUPZT7031602  | Washer                 | Φ16           | 2   |
| 18  | DUPZT7021603  | Lock Nut               | M16           | 2   |
| 19  | DUPZT2131950  | Dust Cap               |               | 2   |
| 20  | DUPZT7010894  | Hex Flange Bolt        | M8×16         | 6   |
| 21  | DUPZT7030413  | Rivet                  | 4.8×12        | 2   |
| 22  | DUPZT6060215  | Model Number           |               | 1   |
| 23  | DUPZT7020901  | Hexagon rivet nut      | M8            | 3   |
| 24  | DUPZT4012943  | Tread Footrest         |               | 1   |
| 25  | DUPZT7030813  | Large Washer           | Φ8            | 1   |
| 26  | DUPZT7040802  | Lock Washer            | Φ8            | 1   |
| 27  | DUPZT4011930  | Knob                   |               | 1   |
| 28  | DUPZT4561300  | Battery mounting plate |               | 1   |
| 29  | DUPZT7020803A | Lock Nut               | M8            | 22  |
| 30  | DUPZT7180812  | Square neck bolt       | M8×20         | 5   |
| 31  | DUPZT4561290  | Right cover            |               | 1   |
| 32  | DUPZT7011075  | Hex Bolt               | M10×130       | 2   |
| 33  | DUPZT7031009  | Washer                 | Φ10           | 4   |
| 34  | DUPZT7085520  | Spacer                 |               | 2   |
| 35  | DUPZT7021004A | Lock Nut               | M10           | 2   |
| 36  | DUPZT7010820  | Hex Flange Bolt        | M8×20         | 12  |
| 37  | DUPZT4561320  | Shield/Rear            |               | 1   |
| 38  | DUPZT4561330  | Right Rear Shield      |               | 1   |
| 39  | DUPZT4561340  | Shield/Rear            |               | 1   |
| 40  | DUPZT4561350  | Left Rear Shield       |               | 1   |
| 41  | DUPZT4561280  | Left cover             |               | 1   |

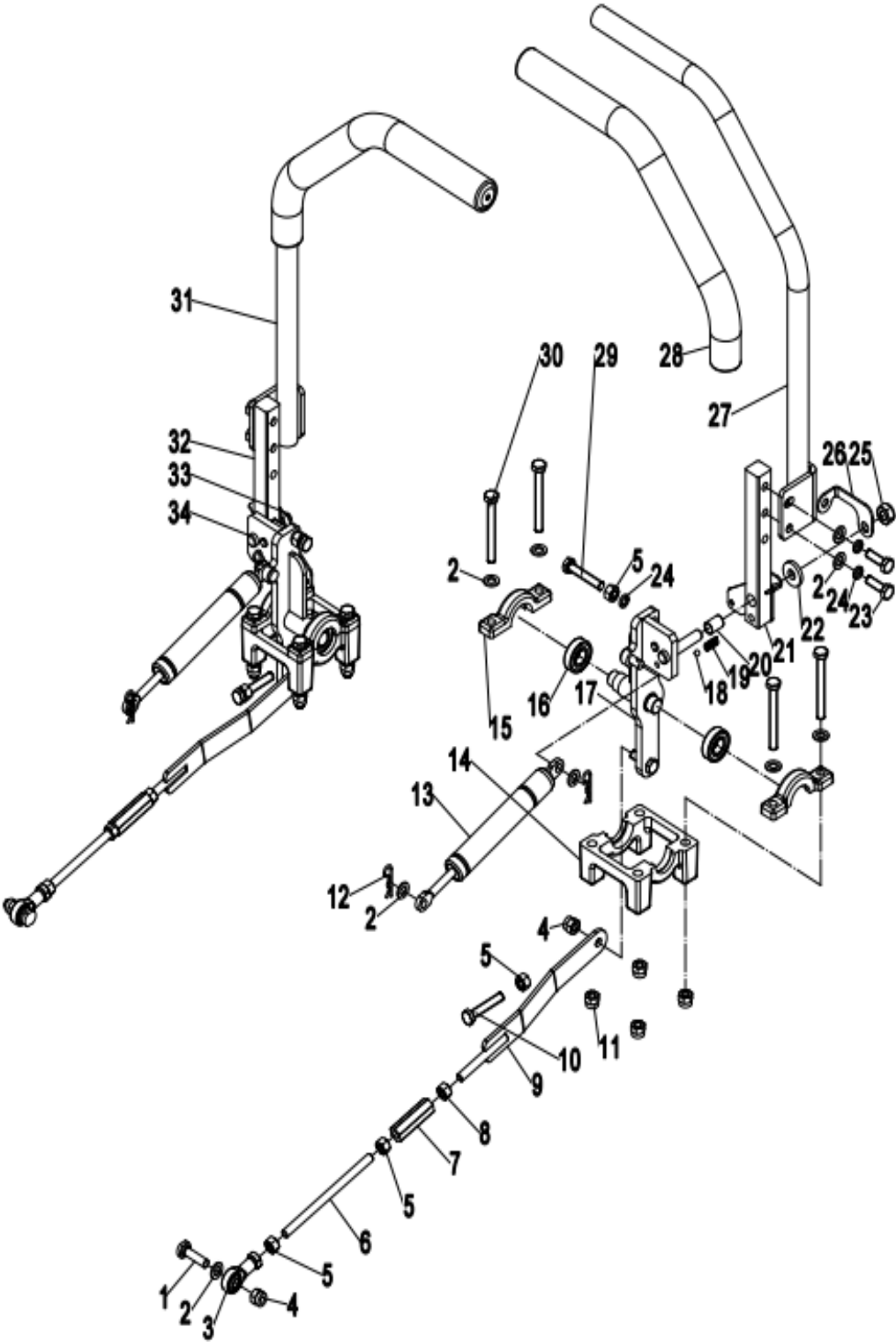
# HYDROSTATIC TRANSAXLE/WHEEL ASSEMBLY



## HYDROSTATIC TRANSAXLE/WHEEL ASSEMBLY

| No. | Part number            | Description                  | Specification | Qty |
|-----|------------------------|------------------------------|---------------|-----|
| 1   | DUPZT7010072A          | Inch Wheel Hub Nut           | 1/2-20 UNF-2B | 8   |
| 2   | DUPZT8032420           | Tire                         |               | 2   |
| 3   | DUPZT7011040           | Hex Bolt                     | M10×55        | 2   |
| 4   | DUPZT7041002           | Lock Washer                  | Φ10           | 2   |
| 5   | DUPZT7031009           | Washer                       | Φ10           | 3   |
| 6   | DUPZT4039495           | Transaxle Spacer             | 12-13UNC      | 1   |
| 7   | DUPZT7010899           | Hex Bolt                     | M8×75         | 4   |
| 8   | DUPZT7030819           | Washer                       | Φ8            | 18  |
| 9   | DUPZTZZ-KHEE-SKLC-31TX | Hydrostatic Transaxle , Lt   | ZT-3800       | 1   |
| 10  | DUPZT7010807           | Hex Bolt                     | M8×60         | 2   |
| 11  | DUPZTZZ-GHEE-SKLB-21TX | Hydrostatic Transaxle , Rt   | ZT-3800       | 1   |
| 12  | DUPZT7020803           | Lock Nut                     | M8            | 8   |
| 13  | DUPZT7030813           | Large Washer                 | Φ8            | 2   |
| 14  | DUPZT7010932           | Hex Bolt                     | M8×120        | 2   |
| 15  | DUPZT4045990           | Left tendril                 |               | 1   |
| 16  | DUPZT7030602           | Washer                       | Φ6            | 2   |
| 17  | DUPZT7131806           | D Pin                        |               | 2   |
| 18  | DUPZT1051841           | B81 Belt                     |               | 1   |
| 19  | DUPZT4045980           | Right tendril                |               | 1   |
| 20  | DUPZT7021004A          | Lock Nut                     | M10           | 3   |
| 21  | DUPZT4124435           | Drive Belt stripper          |               | 1   |
| 22  | DUPZT7085391           | Spacer                       |               | 2   |
| 23  | DUPZT7144002           | Washer                       |               | 2   |
| 24  | DUPZT7061223           | Deep groove ball bearing     | 6203          | 2   |
| 25  | DUPZT1047125           | Idler Pulley                 |               | 2   |
| 26  | DUPZT7085411           | Spacer                       |               | 1   |
| 27  | DUPZT4010015           | Welding of tension swing Rod |               | 1   |
| 28  | DUPZT7011065           | Hex Bolt                     | M10×65        | 1   |
| 29  | DUPZT7060014           | Deep groove ball bearing     | 6002          | 2   |
| 30  | DUPZT7085400           | Spacer                       | φ16-25        | 1   |
| 31  | DUPZT7031027           | Big Washer                   | Φ10           | 1   |
| 32  | DUPZT7020803A          | Lock Nut                     | M8            | 6   |
| 33  | DUPZT4270015           | Fixing plate                 | M6×20         | 1   |
| 34  | DUPZT7180812           | Square neck bolt             | M8×20         | 2   |
| 35  | DUPZT7021222           | Hex Flange Nut               | M12           | 2   |
| 36  | DUPZT7291208           | Joint Bolt                   | M12×90        | 1   |
| 37  | DUPZT7059600           | Idler Pulley Spring          | Φ10           | 1   |
| 38  | DUPZT7010888           | Hex Bolt                     | M8×20         | 2   |
| 39  | DUPZT7320020           | Grease Zerk                  | M8×1          | 1   |
| 40  | DUPZT4018805           | Bearing seat welding         |               | 1   |
| 41  | DUPZT4061606           | Transaxle/Shield Panel       |               | 1   |
| 42  | DUPZT7010894           | Hex Flange Bolt              | M8×16         | 2   |

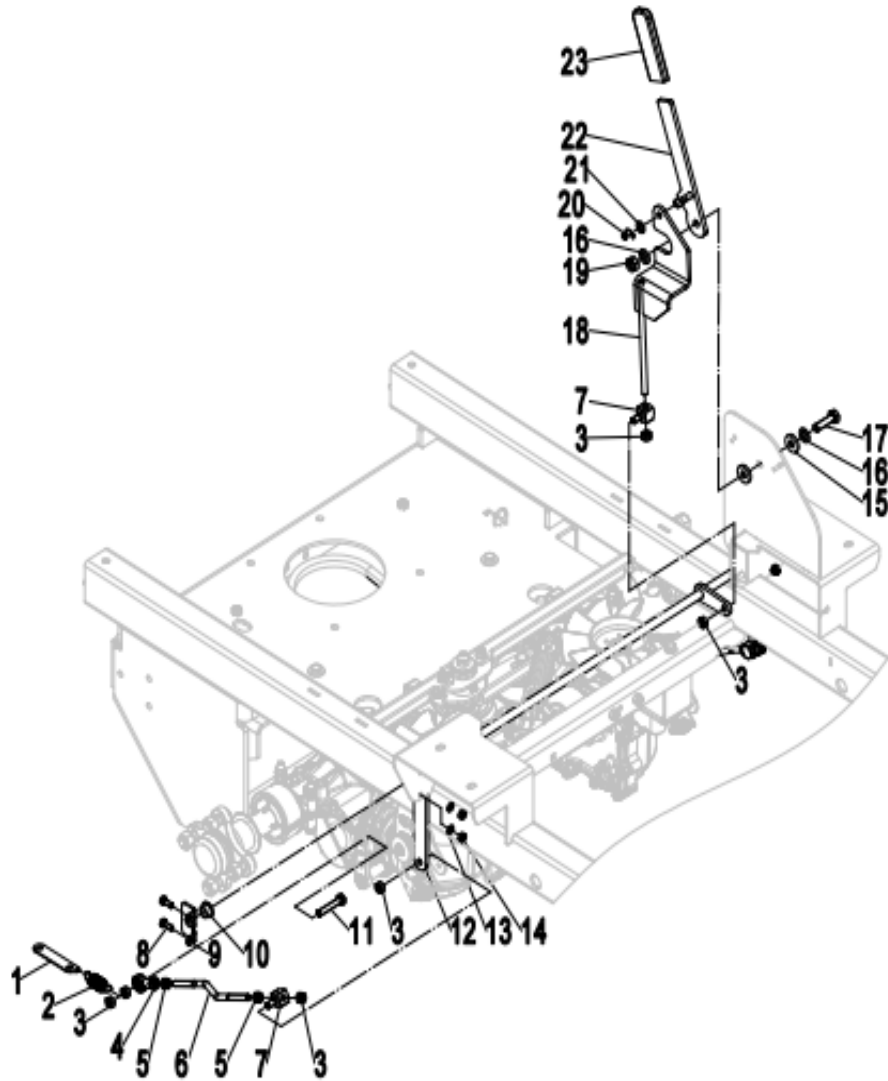
# STEERING ASSEMBLY



## STEERING ASSEMBLY

| No. | Part number   | Description                | Specification | Qty |
|-----|---------------|----------------------------|---------------|-----|
| 1   | DUPZT7181630  | Bolt joint                 |               | 2   |
| 2   | DUPZT7030819  | Washer                     | Ø8            | 18  |
| 3   | DUPZT7121004  | Joint Bearing RH/Rod End   |               | 2   |
| 4   | DUPZT7020803A | Hex Lock Nut               | M8            | 4   |
| 5   | DUPZT7020804  | Hex Nut                    | M8            | 8   |
| 6   | DUPZT7292017  | Straight draw bar          |               | 2   |
| 7   | DUPZT7292009  | Rotary casing              |               | 2   |
| 8   | DUPZT7020860  | Hex Nut                    | M8-L          | 2   |
| 9   | DUPZT4022000  | Welding of bending tie Rod |               | 2   |
| 10  | DUPZT7010826  | Hex Bolt                   | M8×45         | 2   |
| 11  | DUPZT7020803  | Hex Lock Nut               | M8            | 8   |
| 12  | DUPZT7131806  | D Pin                      |               | 4   |
| 13  | DUPZT2020450  | Damper                     |               | 2   |
| 14  | DUPZT4133431  | Bearing Pedestal           |               | 2   |
| 15  | DUPZT4163010  | Bearing Cap                |               | 4   |
| 16  | DUPZT7060014  | Bearing                    | 6002-2RS      | 4   |
| 17  | DUPZT4269820  | Motion Pivot/RH            |               | 1   |
| 18  | DUPZT5060601  | Steel Ball                 | 6             | 2   |
| 19  | DUPZT7057560  | Operating Stop Spring      |               | 2   |
| 20  | DUPZT7083810  | Bearing w/Flange           |               | 2   |
| 21  | DUPZT4301240  | Control Arm /RH            |               | 1   |
| 22  | DUPZT7083540  | Plastic Washer             |               | 2   |
| 23  | DUPZT7010821  | Hex Bolt                   | M8×25         | 4   |
| 24  | DUPZT7040802  | Lock Washer                | Ø8            | 6   |
| 25  | DUPZT7021004A | Hex Lock Nut               | M10           | 2   |
| 26  | DUPZT4165750  | Lock Washer /RH            |               | 1   |
| 27  | DUPZT4018850  | Steering Handle RH         |               | 1   |
| 28  | DUPZT5010025  | Handle Grip- Foam          |               | 2   |
| 29  | DUPZT7010844  | Hex Bolt                   | M8×50         | 2   |
| 30  | DUPZT7010880  | Hex Bolt                   | M8×70         | 8   |
| 31  | DUPZT4018840  | Steering Handle LH         |               | 1   |
| 32  | DUPZT4301230  | Control Arm /LH            |               | 1   |
| 33  | DUPZT4165740  | Lock Washer /LH            |               | 1   |
| 34  | DUPZT4269810  | Motion Pivot/LH            |               | 1   |

## PARKING BRAKE ASSEMBLY

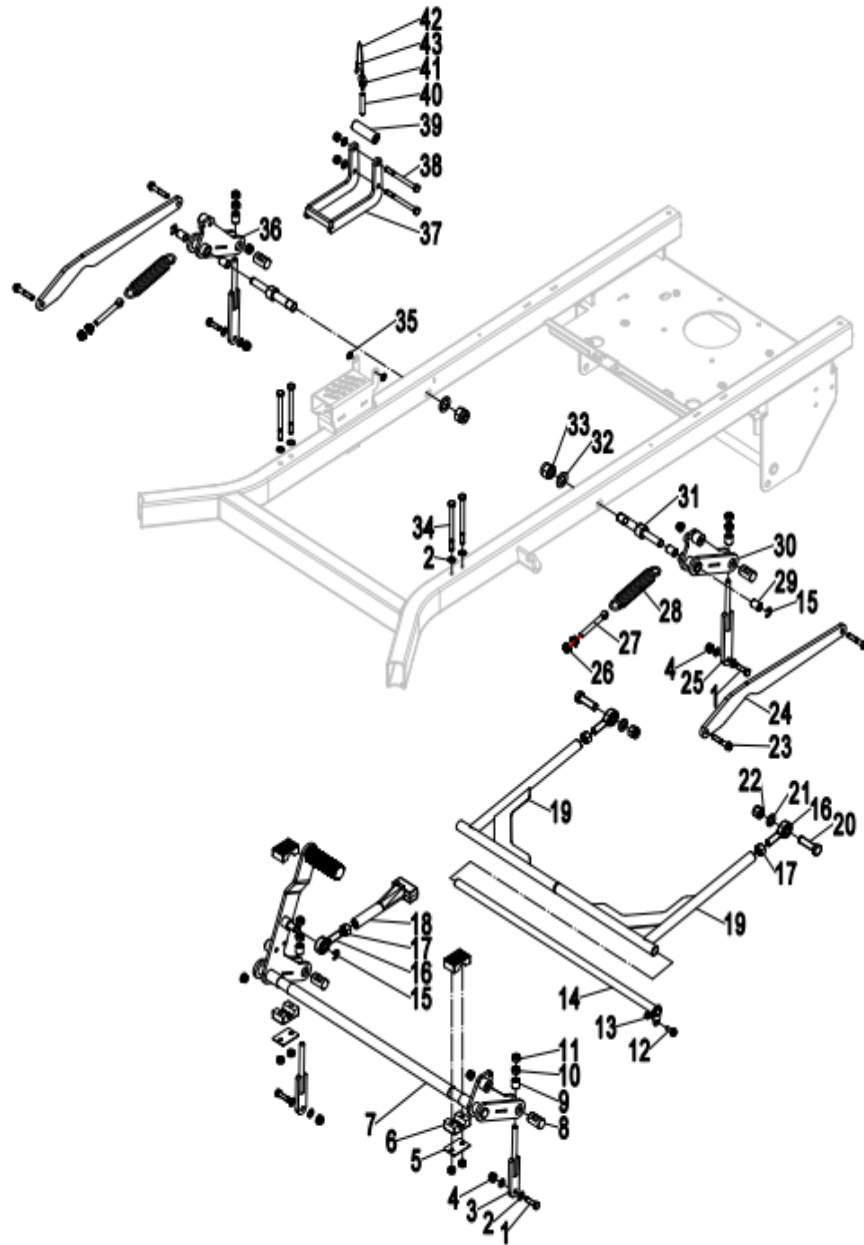


| No. | Part number   | Description              | Specification | Qty |
|-----|---------------|--------------------------|---------------|-----|
| 1   | DUPZT4022010  | Washer                   |               | 2   |
| 2   | DUPZT7051511  | Spring                   |               | 2   |
| 3   | DUPZT7020803A | Hex Lock Nut             | M8            | 8   |
| 4   | DUPZT7121004  | Joint Bearing RH/Rod End | M8            | 2   |
| 5   | DUPZT7020804  | Hex Nut                  | M8            | 4   |
| 6   | DUPZT4020037  | Straight draw bar        |               | 2   |
| 7   | DUPZT4022030  | Joint, Swivel            |               | 3   |
| 8   | DUPZT7010662  | Hex Bolt                 | M6×16         | 4   |
| 9   | DUPZT4020016  | Bracket                  |               | 2   |
| 10  | DUPZT7120200  | Bearing                  |               | 2   |
| 11  | DUPZT7010826  | Hex Bolt                 | M8×45         | 2   |
| 12  | DUPZT4020038  | Brake Linkage Weldment   |               | 1   |
| 13  | DUPZT7030601  | Washer                   | Φ6            | 4   |
| 14  | DUPZT7020602A | Hex Lock Nut             | M6            | 4   |
| 15  | DUPZT7083540  | Plastic Washer           |               | 2   |
| 16  | DUPZT7031009  | Washer                   | Φ10           | 2   |

## PARKING BRAKE ASSEMBLY

| No. | Part number   | Description        | Specification | Qty |
|-----|---------------|--------------------|---------------|-----|
| 17  | DUPZT7011019  | Hex Bolt           | M10×35        | 1   |
| 18  | DUPZT4022001  | Handbrake          |               | 1   |
| 19  | DUPZT7021004A | Hex Lock Nut       | M10           | 1   |
| 20  | DUPZT7131806  | D Pin              |               | 1   |
| 21  | DUPZT7030819  | Washer             | Φ8            | 1   |
| 22  | DUPZT4020032  | Park handle        |               | 1   |
| 23  | DUPZT4042595  | Grip, Brake Handle |               | 1   |

# DECK CARRIER ASSEMBLY

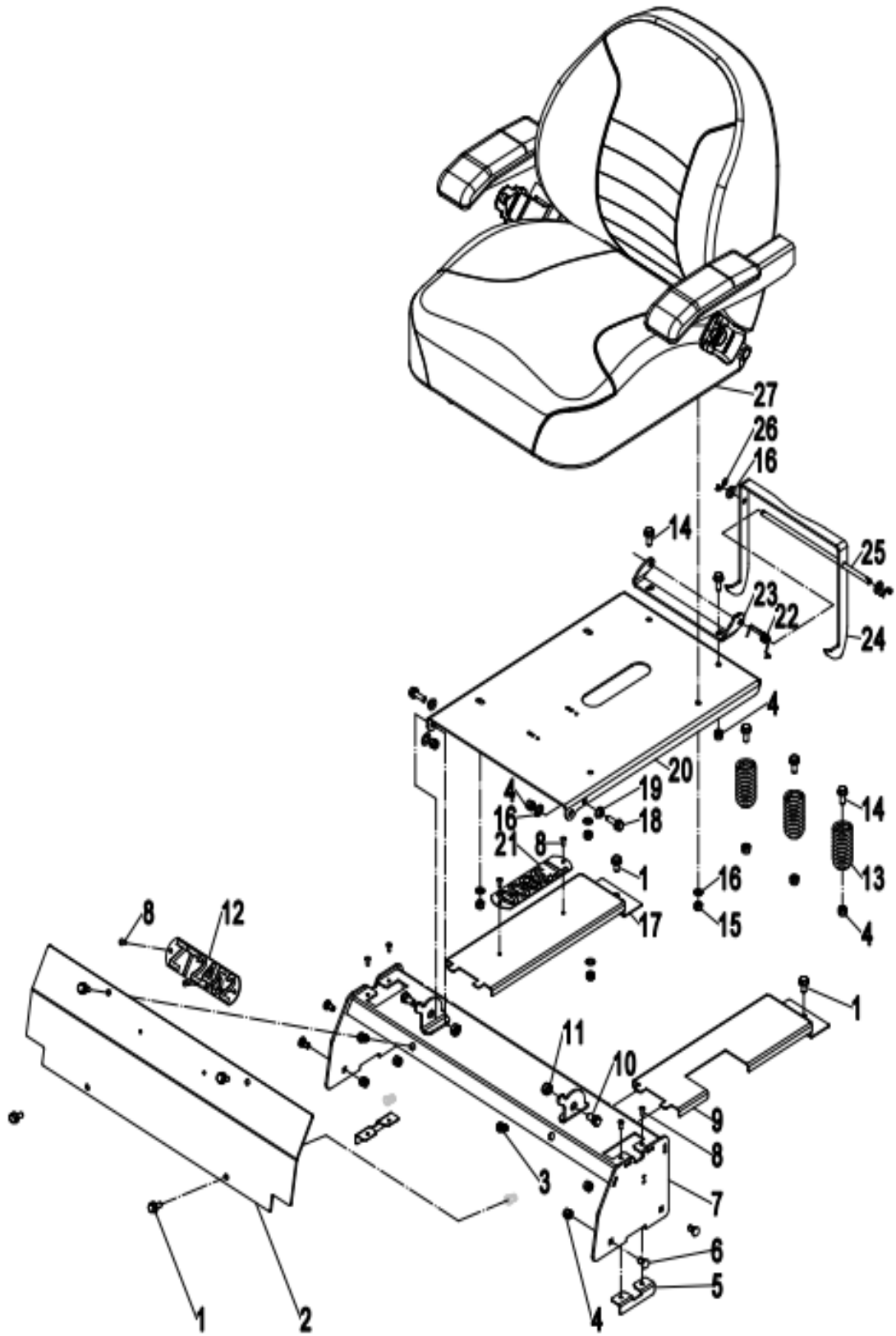


| No. | Part number   | Description              | Specification | Qty |
|-----|---------------|--------------------------|---------------|-----|
| 1   | DUPZT7011063  | Hex Bolt                 | M10x45        | 4   |
| 2   | DUPZT7031009  | Washer                   | Φ10           | 14  |
| 3   | DUPZT4046071  | Rod, Deck Lift           |               | 2   |
| 4   | DUPZT7021004A | Hex Lock Nut             | M10           | 12  |
| 5   | DUPZT4151750  | Lift Bearing Lower Plate |               | 2   |
| 6   | DUPZT4310015  | Lift Bearing Block       |               | 4   |
| 7   | DUPZT4058241  | Lift Lever               |               | 1   |
| 8   | DUPZT4046050  | Trunnion                 |               | 4   |
| 9   | DUPZT4046040  | Spacer                   |               | 4   |

## DECK CARRIER ASSEMBLY

| No. | Part number   | Description                | Specification | Qty |
|-----|---------------|----------------------------|---------------|-----|
| 10  | DUPZT7021201  | Hex Nut                    | M12           | 4   |
| 11  | DUPZT7021204A | Hex Lock Nut               | M12           | 4   |
| 12  | DUPZT7010820  | Hex Flange Bolt            | M8×20         | 1   |
| 13  | DUPZT7020803A | Hex Lock Nut               | M8            | 1   |
| 14  | DUPZT4181251  | Lock Pin -Roller           |               | 1   |
| 15  | DUPZT7141203  | Snap Ring                  | Φ12           | 3   |
| 16  | DUPZT7121601  | Joint Bearing/Rod End      | M16           | 3   |
| 17  | DUPZT7021607  | Hex Nut                    | M16           | 3   |
| 18  | DUPZT4040019  | Slide, Height Adjustment   |               | 1   |
| 19  | DUPZT4160811  | Radius Arm Assembly        |               | 2   |
| 20  | DUPZT7011621  | Hex Bolt                   | M16×55        | 2   |
| 21  | DUPZT7031602  | Washer                     | Φ16           | 2   |
| 22  | DUPZT7021603  | Hex Lock Nut               | M16           | 2   |
| 23  | DUPZT7241054  | Hex Flange Bolt            | M10×55        | 4   |
| 24  | DUPZT4058271  | Pendulum link              |               | 2   |
| 25  | DUPZT4046061  | Rod, Deck Lift             |               | 2   |
| 26  | DUPZT7021242  | Hex Flange Nut             |               | 4   |
| 27  | DUPZT7291208  | Joint Bolt                 | M12×90        | 2   |
| 28  | DUPZT7059750  | Idler Pulley Spring        |               | 2   |
| 29  | DUPZT7121800  | Self-lubricating bearing   |               | 4   |
| 30  | DUPZT4058243  | Deck Rocker LH             |               | 1   |
| 31  | DUPZT1010086  | Raise the connecting shaft |               | 2   |
| 32  | DUPZT7032006  | Washer                     | Φ20           | 2   |
| 33  | DUPZT7022007  | Hex Lock Nut               | M20           | 2   |
| 34  | DUPZT7011075  | Hex Bolt                   | M10×130       | 4   |
| 35  | DUPZT7122006  | Flange bearings            |               | 2   |
| 36  | DUPZT4058242  | Deck Rocker RH             |               | 1   |
| 37  | DUPZT4046082  | Grip, Deck Latch           |               | 1   |
| 38  | DUPZT7011080  | Hex Bolt                   | M10×110       | 2   |
| 39  | DUPZT4046141  | Spacer                     |               | 1   |
| 40  | DUPZT4046100  | Pin                        |               | 1   |
| 41  | DUPZT1035104  | Ring Bolt                  |               | 1   |
| 42  | DUPZT4170165  | Wire Rope                  | 1.5-270       | 1   |
| 43  | DUPZT7084410  | Aluminum Sleeve            |               | 2   |

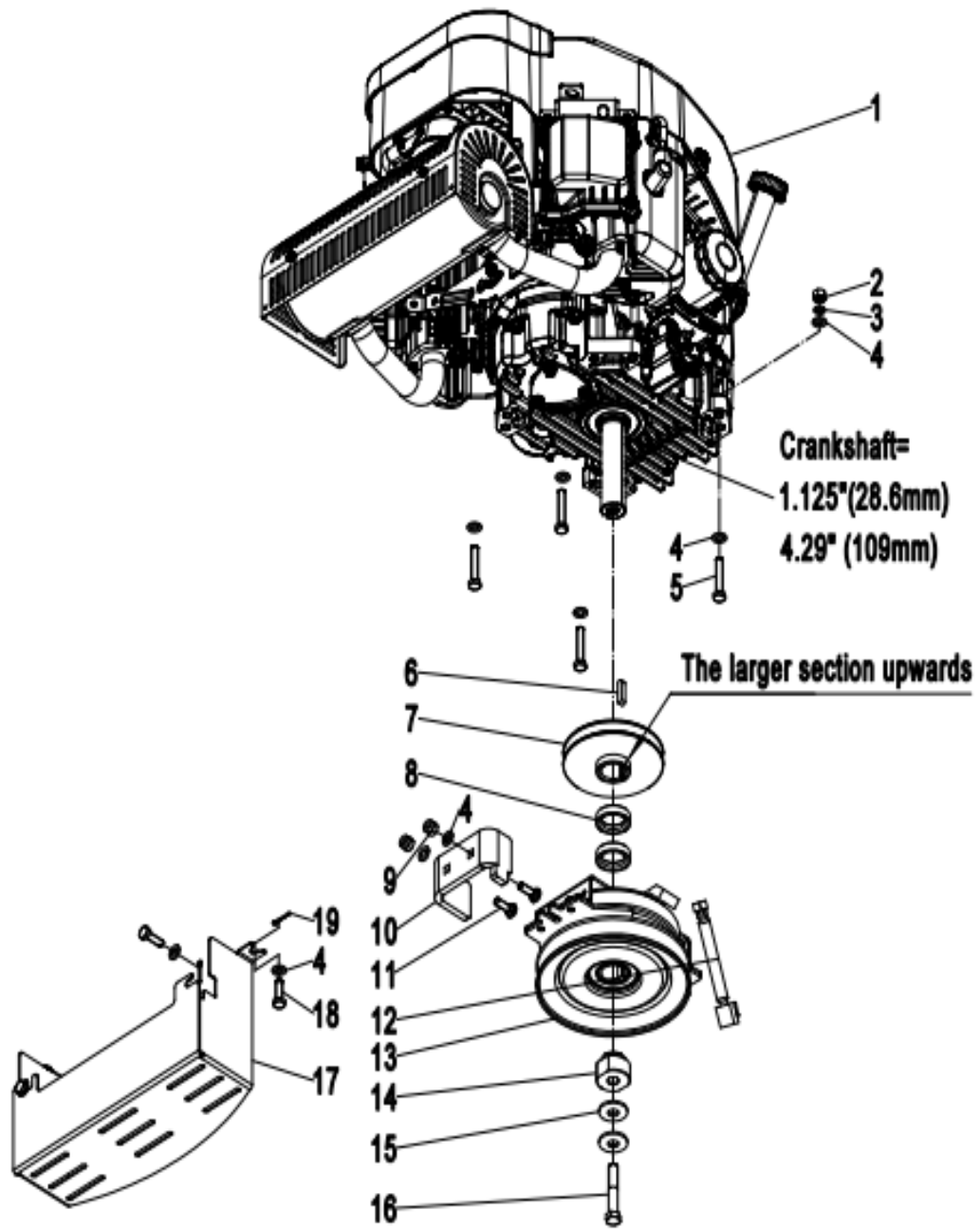
# SEAT ASSEMBLY



## SEAT ASSEMBLY

| No. | Part number     | Description              | Specification | Qty |
|-----|-----------------|--------------------------|---------------|-----|
| 1   | DUPZT7010894    | Hex Flange Bolt          | M8×16         | 6   |
| 2   | DUPZT4033117    | Front Plate              |               | 1   |
| 3   | DUPZT7020901    | Rivet Nut                | M8            | 2   |
| 4   | DUPZT7020803A   | Hex Lock Nut             | M8            | 11  |
| 5   | DUPZT4060418    | Limit plate              |               | 2   |
| 6   | DUPZT7180817    | Square neck bolt         | M8×16         | 4   |
| 7   | DUPZT4138881    | Seat Bottom Front Fender |               | 1   |
| 8   | DUPZT7030413    | Rivet                    | 4.8×12        | 6   |
| 9   | DUPZT4561380    | Left Side Baffle         |               | 1   |
| 10  | DUPZT7181620    | Pivot Bolt               |               | 2   |
| 11  | DUPZT7021004A   | Hex Lock Nut             | M10           | 2   |
| 12  | DUPZT6060221    | Model Number             |               | 1   |
| 13  | DUPZT7059381    | Seat Spring              |               | 3   |
| 14  | DUPZT7010820    | Hex Flange Bolt          | M8×20         | 5   |
| 15  | DUPZT7020015A   | Hex Lock Nut             | 5/16-18       | 4   |
| 16  | DUPZT7030819    | Washer                   | Ø8            | 8   |
| 17  | DUPZT4130018    | Side Baffle              |               | 1   |
| 18  | DUPZT7010838    | Hex Flange Bolt          | M8×25         | 2   |
| 19  | DUPZT7120190    | Nylon sleeve             |               | 2   |
| 20  | DUPZT4138890    | Seat Plate               |               | 1   |
| 21  | DUPZT6060225    | Model Number             |               | 1   |
| 22  | DUPZT7051521    | Spring                   |               | 1   |
| 23  | DUPZT3060760-02 | Fixed Plate              |               | 1   |
| 24  | DUPZT3060760-01 | Limiting Plate           |               | 1   |
| 25  | DUPZT3060760-03 | Rotary Shaft             |               | 1   |
| 26  | DUPZT7131806    | D Pin                    |               | 2   |
| 27  | DUPZT5080070    | Seat                     |               | 1   |

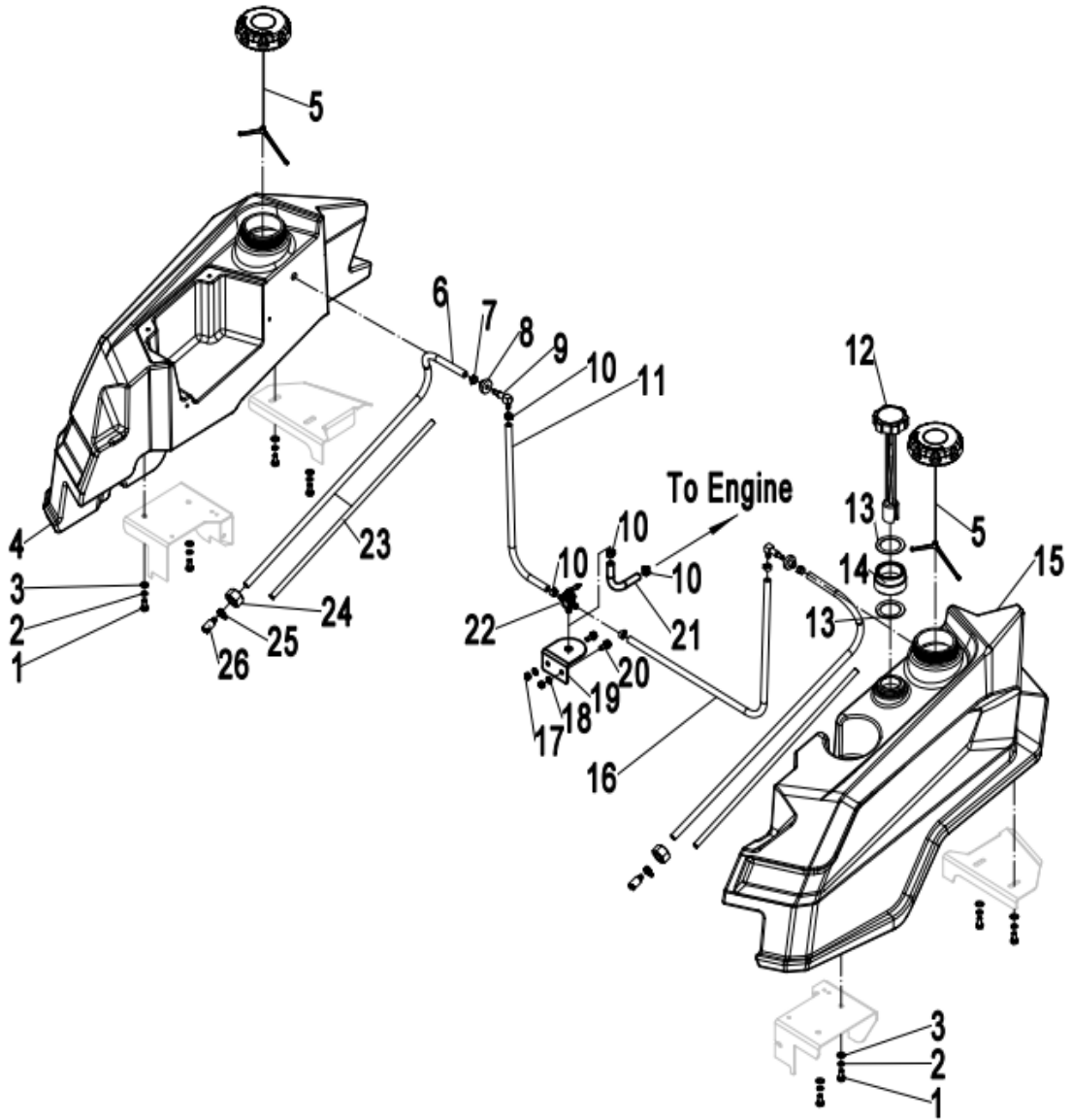
# ENGINE ASSEMBLY



## ENGINE ASSEMBLY

| No. | Part number        | Description                | Specification | Qty |
|-----|--------------------|----------------------------|---------------|-----|
| 1   | DUPZTLC2P82F-L3051 | LC Engine                  |               | 1   |
| 2   | DUPZT7020804       | Hex Nut                    | M8            | 4   |
| 3   | DUPZT7040802       | Lock Washer                | Ø8            | 4   |
| 4   | DUPZT7030819       | Washer                     | Ø8            | 14  |
| 5   | DUPZT7010814       | Hex Bolt                   | M8×40         | 4   |
| 6   | DUPZT7110608A      | Key                        | 6.35×6.35×30  | 1   |
| 7   | DUPZT1047115       | B138-28.6 Pulley           |               | 1   |
| 8   | DUPZT4124421       | Spacer                     |               | 2   |
| 9   | DUPZT7020803A      | Hex Lock Nut               | M8            | 2   |
| 10  | DUPZT4221320       | Clutch stop                |               | 1   |
| 11  | DUPZT7180818       | Hex Bolt                   | M8×25         | 2   |
| 12  | DUPZT9054890       | Transfer Harness           |               | 1   |
| 13  | DUPZT7101445       | Electromagnetic PTO Clutch |               | 1   |
| 14  | DUPZT4124460       | Clutch Sleeve              |               | 1   |
| 15  | DUPZT4071060       | Clutch Plate               |               | 2   |
| 16  | DUPZT7010140A      | Inch Bolt                  | 7/16-20×2 1/2 | 1   |
| 17  | DUPZT4060169       | Belt pulley guard          |               | 1   |
| 18  | DUPZT7016560       | Hex Bolt                   | M8×25         | 4   |
| 19  | DUPZT7130204       | pin                        |               | 4   |

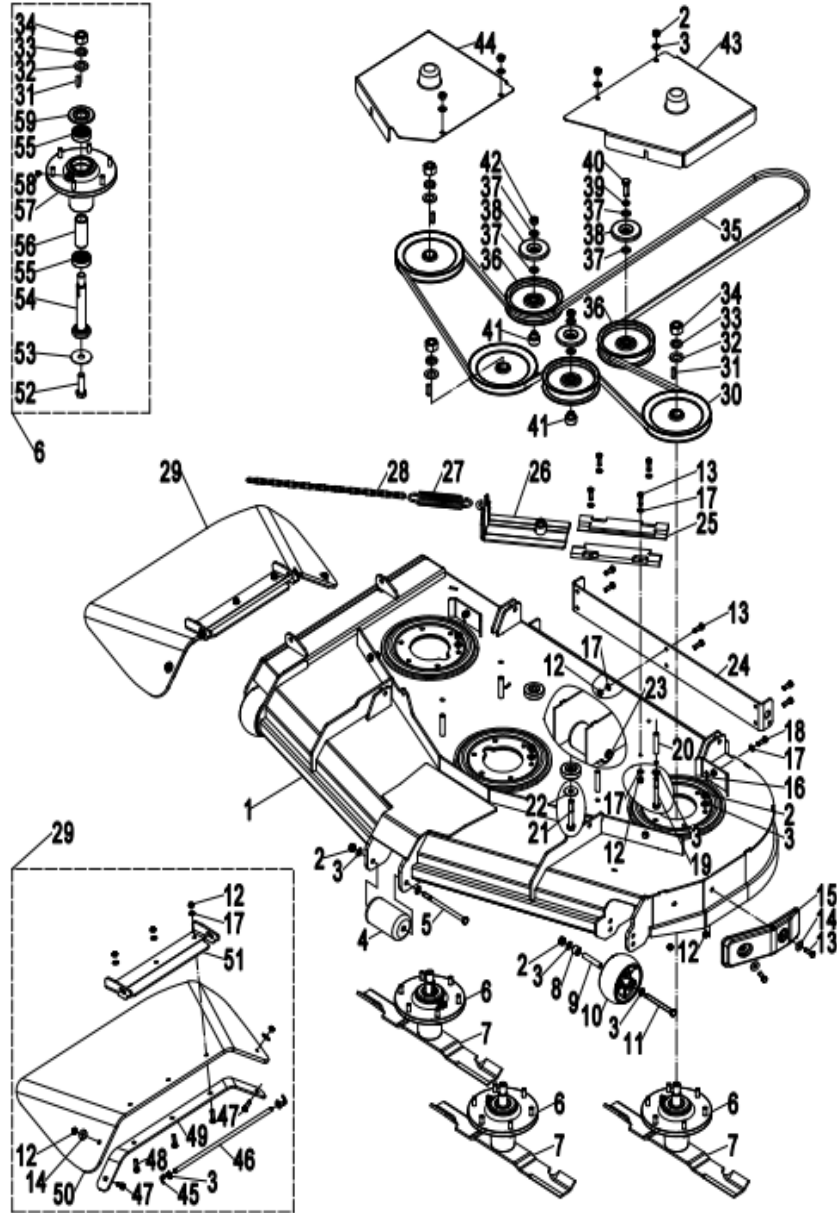
# FUEL ASSEMBLY



## FUEL ASSEMBLY

| No. | Part number    | Description                | Specification | Qty |
|-----|----------------|----------------------------|---------------|-----|
| 1   | DUP7010847     | Hex Bolt                   | M8×16         | 8   |
| 2   | DUP7040802     | Lock Washer                | Ø8            | 8   |
| 3   | DUP7030819     | Washer                     | Ø8            | 8   |
| 4   | DUP2082240-EPA | Fuel Tank, RH              |               | 1   |
| 5   | DUP2080590     | Fuel Cap                   |               | 2   |
| 6   | DUP2118241     | Fuel Line                  |               | 2   |
| 7   | DUP7150173     | Hose Clamp-Spring          |               | 2   |
| 8   | DUP7083440     | Bushing-Fuel Tube          |               | 2   |
| 9   | DUP2128020     | Suction Elbow              |               | 2   |
| 10  | DUP7150170     | Hose Clamp-Spring          |               | 6   |
| 11  | DUP2119340-EPA | Fuel Line                  |               | 1   |
| 12  | DUPJYT01375    | Fuel Gauge                 |               | 1   |
| 13  | DUP4040002     | Rubber Pad                 |               | 2   |
| 14  | DUP4040001     | Transition Coupling        |               | 1   |
| 15  | DUP2082250-EPA | Fuel Tank, LH              |               | 1   |
| 16  | DUP2119900-EPA | Fuel Line                  |               | 1   |
| 17  | DUP7020602A    | Hex Lock Nut               | M6            | 2   |
| 18  | DUP7030601     | Washer                     | Ø6            | 2   |
| 19  | DUP4070331     | Oil Circuit Switch Bracket |               | 1   |
| 20  | DUP7010674     | Hex Flange Bolt            | M6×16         | 2   |
| 21  | DUP2115940-EPA | Fuel Line                  |               | 1   |
| 22  | DUPH0907       | Valve, Fuel Shut-Off       |               | 1   |
| 23  | DUP2119701     | Oil Tube Lining            |               | 2   |
| 24  | DUP7022004     | Hex Nut                    | M20×1.5       | 2   |
| 25  | DUP7150024     | Pipe Clamp                 |               | 2   |
| 26  | DUP2060195     | Filter Adapter             |               | 2   |

## 60" MOWER DECK ASSEMBLY



| No. | Part number     | Description            | Specification | Qty |
|-----|-----------------|------------------------|---------------|-----|
| 1   | DUPZT4242021    | 60" Mower Deck         |               | 1   |
| 2   | DUPZT7021004A   | Hex Lock Nut           | M10           | 26  |
| 3   | DUPZT7031009    | Washer                 | Φ10           | 34  |
| 4   | DUPZT8010015    | Anti-scalp Roller      |               | 2   |
| 5   | DUPZT7011456    | Hex Bolt               | M10×160       | 1   |
| 6   | DUPZTB500636    | Blade Spindle Assembly |               | 3   |
| 7   | DUPZT3010800    | 520 Blade              |               | 3   |
| 8   | DUPZT4262150-03 | Spacer                 |               | 2   |
| 9   | DUPZT4240585    | Spacer                 |               | 2   |
| 10  | DUPZT8011800    | Anti-scalp Roller      |               | 2   |

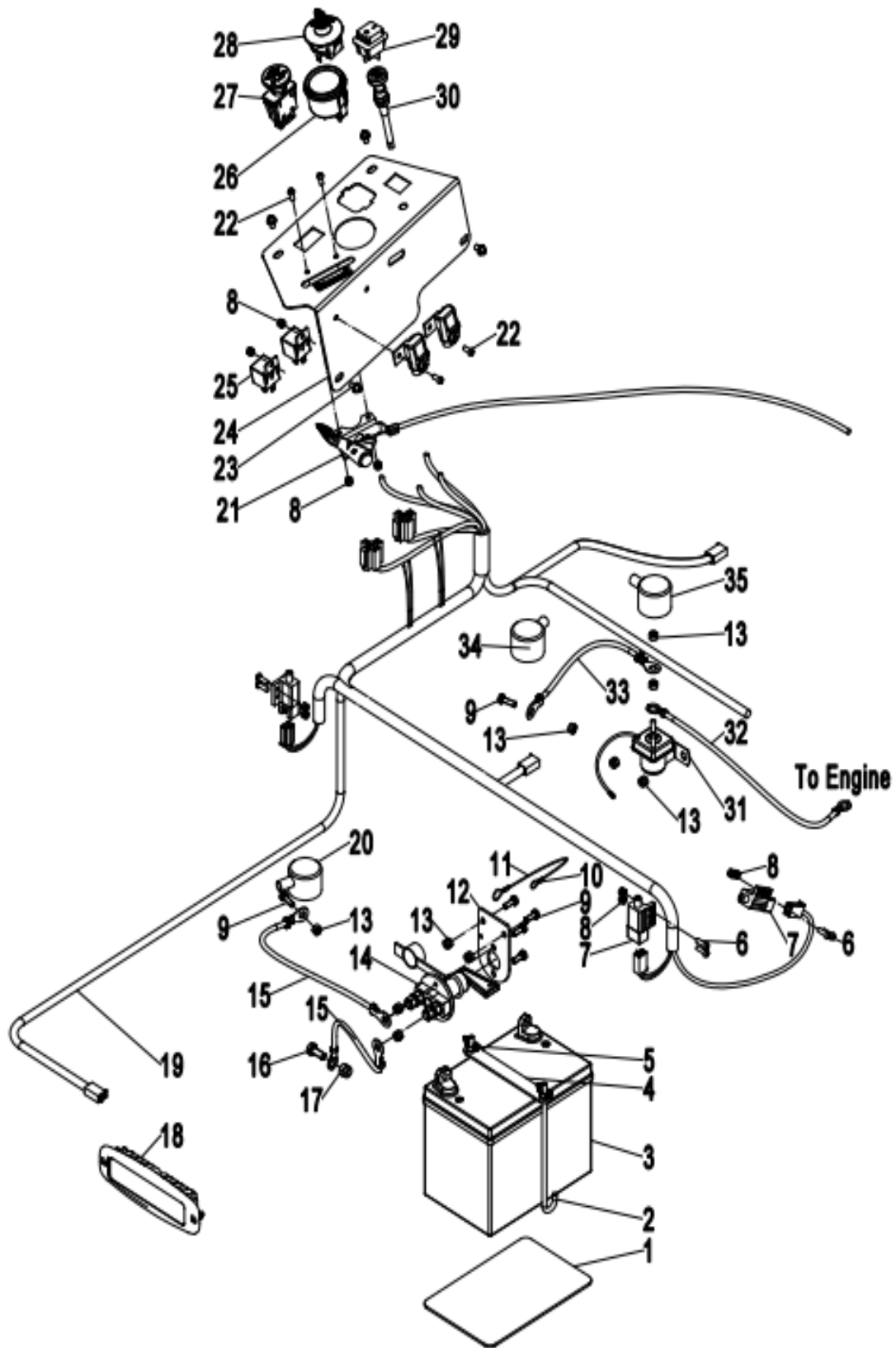
## 60" MOWER DECK ASSEMBLY

| No. | Part number   | Description                     | Specification | Qty |
|-----|---------------|---------------------------------|---------------|-----|
| 11  | DUPZT7011080  | Hex Bolt                        | M10×110       | 2   |
| 12  | DUPZT7020803A | Hex Lock Nut                    | M8            | 17  |
| 13  | DUPZT7010821  | Hex Bolt                        | M8×25         | 12  |
| 14  | DUPZT7030813  | Big Washer                      | Φ8            | 4   |
| 15  | DUPZT4060113  | Impact block                    |               | 1   |
| 16  | DUPZT7130204  | Pin                             |               | 6   |
| 17  | DUPZT7030819  | Washer                          | Φ8            | 23  |
| 18  | DUPZT7016560  | Hex Bolt                        | M8×25         | 6   |
| 19  | DUPZT7011052  | Hex Bolt                        | M10×80        | 4   |
| 20  | DUPZT7085530  | Spacer                          |               | 4   |
| 21  | DUPZT7011307  | Hex Bolt                        | M12×75        | 2   |
| 22  | DUPZT7031208  | Big Washer                      | Φ12           | 2   |
| 23  | DUPZT7011155  | Hex Bolt                        | M10×150       | 1   |
| 24  | DUPZT4138882  | Rear support of cutter disk     |               | 1   |
| 25  | DUPZT4540010  | Slider                          |               | 2   |
| 26  | DUPZT4040036  | Idler Arm                       |               | 1   |
| 27  | DUPZT7059750  | Idler Pulley Spring             |               | 1   |
| 28  | DUPZT5092240  | Chain                           |               | 1   |
| 29  | DUPZTB021260  | Discharge Rubber Guard Assembly |               | 1   |
| 30  | DUPZT1042000  | Pulley                          | B190          | 3   |
| 31  | DUPZT7110803  | Key                             | 8×7×30        | 3   |
| 32  | DUPZT7032006  | Washer                          | Φ20           | 3   |
| 33  | DUPZT7042003  | Lock Washer                     | Φ20           | 3   |
| 34  | DUPZT7022004  | Hex Nut                         | M20×1.5       | 3   |
| 35  | DUPZT1050178  | Belt                            | SB178         | 1   |
| 36  | DUPZT1041690  | Deck Mount                      |               | 3   |
| 37  | DUPZT7031221  | Washer                          | Φ12           | 6   |
| 38  | DUPZT4241745  | Dust cover                      |               | 3   |
| 39  | DUPZT7041202  | Lock Washer                     | Φ12           | 1   |
| 40  | DUPZT7011255  | Hex Bolt                        | M12×35        | 1   |
| 41  | DUPZT1012026  | Wheel shaft                     |               | 2   |
| 42  | DUPZT7021204A | Hex Lock Nut                    | M12           | 2   |
| 43  | DUPZT4561360  | Belt Guard LH                   |               | 1   |
| 44  | DUPZT4561370  | Belt Guard RH                   |               | 1   |
| 45  | DUPZT7131806  | D Pin                           |               | 2   |
| 46  | DUPZT1010027  | Connecting shaft                |               | 1   |
| 47  | DUPZT7180839  | Hex Bolt                        | M8×30         | 2   |
| 48  | DUPZT7180818  | Hex Bolt                        | M8×25         | 3   |
| 49  | DUPZT4157656  | Mount Plate/Lower               |               | 1   |
| 50  | DUPZT4065071  | Rubber Guard                    |               | 1   |
| 51  | DUPZT4157657  | Mount Plate/Lower               |               | 1   |
| 52  | DUPZT7011606  | Hex Bolt                        | M16×1.5×50    | 3   |
| 53  | DUPZT4152540  | Plate                           |               | 3   |

## 60" MOWER DECK ASSEMBLY

| No. | Part number  | Description              | Specification | Qty |
|-----|--------------|--------------------------|---------------|-----|
| 54  | DUPZT1014040 | Spindle Shaft            |               | 3   |
| 55  | DUPZT7061232 | Deep groove ball bearing | 6205-DDU      | 6   |
| 56  | DUPZT4120860 | Bearing Spacer           |               | 3   |
| 57  | DUPZT4070440 | Spindle Housing          |               | 3   |
| 58  | DUPZT7320020 | Grease Zerk              | M8x1          | 3   |
| 59  | DUPZT4065201 | Bearing Shield           |               | 3   |

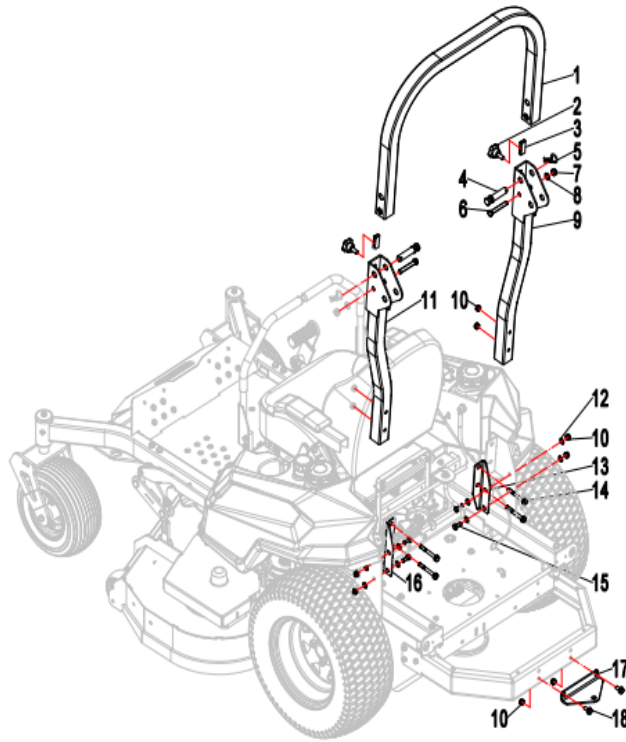
# ELECTRICAL ASSEMBLY



## ELECTRICAL ASSEMBLY

| No. | Part number       | Description                    | Specification | Qty |
|-----|-------------------|--------------------------------|---------------|-----|
| 1   | DUPZT5041160      | Battery cushion                |               | 1   |
| 2   | DUPZT4181281      | Battery Hold Down Strap Rod    |               | 2   |
| 3   | DUPZT9070335      | Battery                        |               | 1   |
| 4   | DUPZT4152270      | Battery Hold Down Plate        |               | 1   |
| 5   | DUPZT7020606      | Wing Nut                       |               | 2   |
| 6   | DUPZT7260531      | Cross Recess Head Screw        | M5×16         | 6   |
| 7   | DUPZT9010495      | Interlock Switch               |               | 3   |
| 8   | DUPZT7020505A     | Hex Lock Nut                   | M5            | 10  |
| 9   | DUPZT7010662      | Hex Bolt                       | M6×16         | 6   |
| 10  | DUPZT7084410      | Oval Aluminum Sleeve           |               | 2   |
| 11  | DUPZT4170165      | Wire Rope                      |               | 1   |
| 12  | DUPZT9160191      | Switch Bracket                 |               | 1   |
| 13  | DUPZT7020602A     | Hex Lock Nut                   | M6            | 10  |
| 14  | DUPZT9210450      | Wire Rope                      |               | 1   |
| 15  | DUPZT9053181      | Battery negative wire harness  |               | 2   |
| 16  | DUPZT7010894      | Hex Flange Bolt                | M8×16         | 1   |
| 17  | DUPZT7020803A     | Hex Lock Nut                   | M8            | 1   |
| 18  | DUPZT4110644      | LED Light                      |               | 1   |
| 19  | DUPZT9055150      | Main Harness                   |               | 1   |
| 20  | DUPZT6631001      | Cathode Protective Cap         |               | 1   |
| 21  | DUPZT5073170      | Throttle Box                   |               | 1   |
| 22  | DUPZT7260507      | Cross Recess Head Screw        | M5×12         | 4   |
| 23  | DUPZT7260602      | Hex Bolt                       | M6×12         | 4   |
| 24  | DUPZT9160190      | Console                        |               | 1   |
| 25  | DUPZT9021001      | Relay                          |               | 2   |
| 26  | DUPZT9100669      | Electric Change and Hour Meter |               | 1   |
| 27  | DUPZT9010548      | PTO Clutch Switch              |               | 1   |
| 28  | DUPZTAES-1311-53A | Ignition Switch                |               | 1   |
| 29  | DUPZT2117431      | Switch                         |               | 1   |
| 30  | DUPZT5072470      | Choke Control                  |               | 1   |
| 31  | DUPZT9020280      | Starting Relay                 |               | 1   |
| 32  | DUPZT9053191      | Starting harness               |               | 1   |
| 33  | DUPZT9053171      | Battery positive wire harness  |               | 1   |
| 34  | DUPZT6631002      | Positive Protective Cap        |               | 1   |
| 35  | DUPZT6631003      | Power Cord Protective Cap      |               | 3   |

## ROPS ASSEMBLY



| No. | Part number   | Description                | Specification | Qty |
|-----|---------------|----------------------------|---------------|-----|
| 1   | DUPZT4260841  | U-Shape Bar                |               | 1   |
| 2   | DUPZT5013230  | Knob                       | M12×25        | 2   |
| 3   | DUPZT4162520  | Springle Cushion           |               | 2   |
| 4   | DUPZT7133220  | Lock Pin                   |               | 2   |
| 5   | DUPZT7133130  | R Pin                      |               | 2   |
| 6   | DUPZT7011301  | Hex Bolt                   | M12×80        | 2   |
| 7   | DUPZT7021204A | Hex Lock Nut               | M12           | 2   |
| 8   | DUPZT7031221  | Washer                     | Φ12           | 2   |
| 9   | DUPZT4039620  | Right Arm                  |               | 1   |
| 10  | DUPZT7021004A | Hex Lock Nut               | M10           | 10  |
| 11  | DUPZT4039610  | Left Arm                   |               | 1   |
| 12  | DUPZT7031009  | Washer                     | Φ10           | 8   |
| 13  | DUPZT4020024  | Right connecting plate     |               | 1   |
| 14  | DUPZT7011064  | Hex Bolt                   | M10×80        | 4   |
| 15  | DUPZT7011016  | Hex Bolt                   | M10×25        | 4   |
| 16  | DUPZT4020023  | Left connecting plate      |               | 1   |
| 17  | DUPZT5090910  | Drag Hook connecting plate |               | 1   |
| 18  | DUPZT7011092  | Hex Bolt                   | M10×20        | 2   |

