

# LITTLE BEAVER

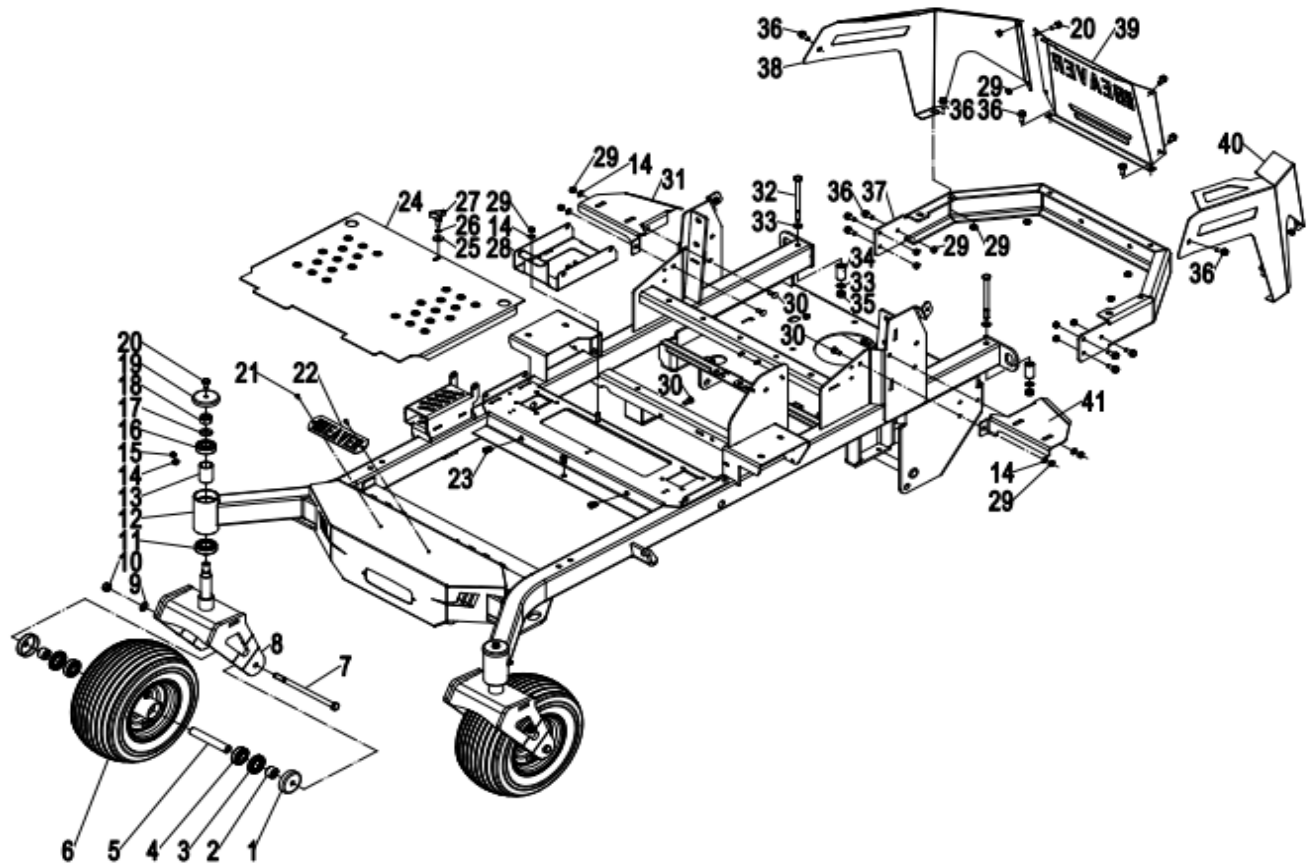
## Equipment parts manual

**Model : DUEZT2452-T3800**  
**Zero-turn mower**



Picture may not reflect the exact model

## CHASSIS ASSEMBLY

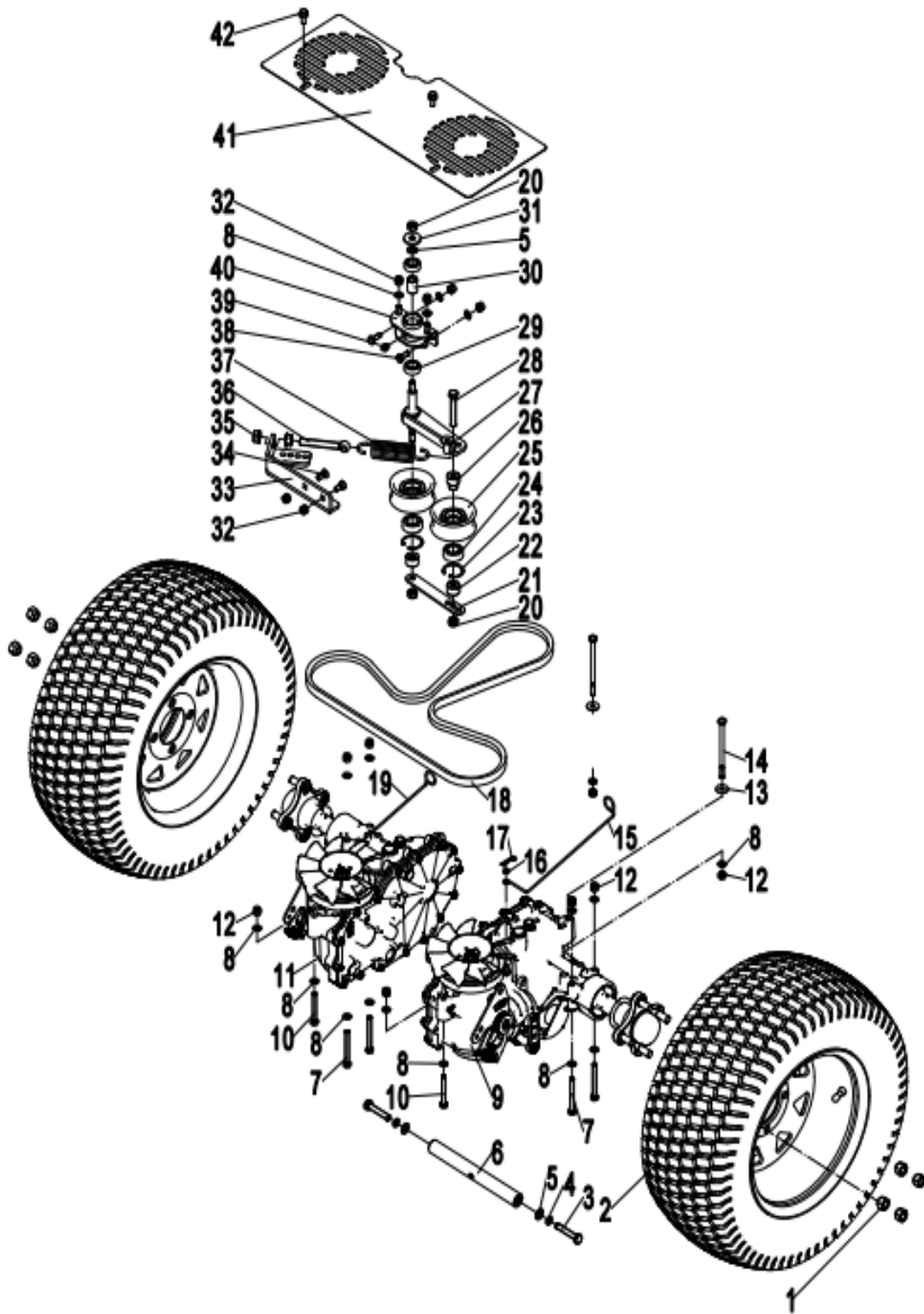


No.	Part number	Description	Specification	Qty
1	DUPZT4065160	Bearing Dust Cap		4
2	DUPZT7083520	Spacer		4
3	DUPZT7075009	Skeleton Grease Seal	30x50x8	4
4	DUPZT7061233	Tapered Roller Bearing	30204	4
5	DUPZT7083510	Bearing Spacer		2
6	DUPZT8032430	Caster Wheel	13x6.5-6	2
7	DUPZT7011288	Hex Bolt	M12x200	2
8	DUPZT4034987	Caster Wheel Fork		2
9	DUPZT7031201	Washer	Φ12	2
10	DUPZT7021204A	Lock Nut	M12	2
11	DUPZT7061234	Tapered Roller Bearing	30205	2
12	DUPZT4039602	Chassis		1
13	DUPZT7085360	Spacer		2
14	DUPZT7030819	Washer	Φ8	8
15	DUPZT7320020	Grease Zerk	M8x1	2
16	DUPZT7060401	Deep Groove Ball Bearing	6204	2

## CHASSIS ASSEMBLY

No.	Part number	Description	Specification	Qty
17	DUPZT7031602	Washer	Φ16	2
18	DUPZT7021603	Lock Nut	M16	2
19	DUPZT2131950	Dust Cap		2
20	DUPZT7010894	Hex Flange Bolt	M8×16	6
21	DUPZT7030413	Rivet	4.8×12	2
22	DUPZT6060215	Model Number		1
23	DUPZT7020901	Hexagon rivet nut	M8	3
24	DUPZT4012943	Tread Footrest		1
25	DUPZT7030813	Large Washer	Φ8	1
26	DUPZT7040802	Lock Washer	Φ8	1
27	DUPZT4011930	Knob		1
28	DUPZT4561300	Battery mounting plate		1
29	DUPZT7020803A	Lock Nut	M8	22
30	DUPZT7180812	Square neck bolt	M8×20	5
31	DUPZT4561290	Right cover		1
32	DUPZT7011075	Hex Bolt	M10×130	2
33	DUPZT7031009	Washer	Φ10	4
34	DUPZT7085520	Spacer		2
35	DUPZT7021004A	Lock Nut	M10	2
36	DUPZT7010820	Hex Flange Bolt	M8×20	12
37	DUPZT4561320	Shield/Rear		1
38	DUPZT4561330	Right Rear Shield		1
39	DUPZT4561340	Shield/Rear		1
40	DUPZT4561350	Left Rear Shield		1
41	DUPZT4561280	Left cover		1

# HYDROSTATIC TRANSAXLE/WHEEL ASSEMBLY



## HYDROSTATIC TRANSAXLE/WHEEL ASSEMBLY

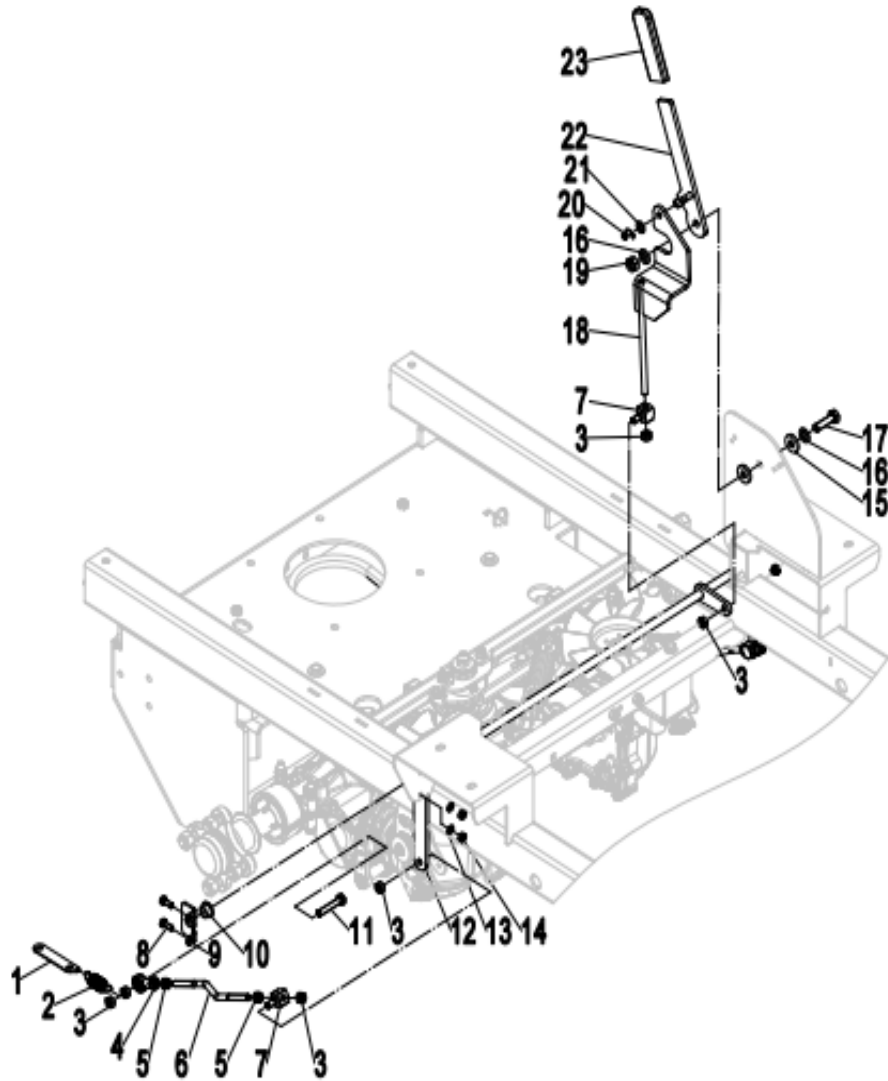
No.	Part number	Description	Specification	Qty
1	DUPZT7010072A	Inch Wheel Hub Nut	1/2-20 UNF-2B	8
2	DUPZT8032420	Tire		2
3	DUPZT7011040	Hex Bolt	M10×55	2
4	DUPZT7041002	Lock Washer	Φ10	2
5	DUPZT7031009	Washer	Φ10	3
6	DUPZT4039495	Transaxle Spacer	12-13UNC	1
7	DUPZT7010899	Hex Bolt	M8×75	4
8	DUPZT7030819	Washer	Φ8	18
9	DUPZTZZ-KHEE-SKLC-31TX	Hydrostatic Transaxle , Lt	ZT-3800	1
10	DUPZT7010807	Hex Bolt	M8×60	2
11	DUPZTZZ-GHEE-SKLB-21TX	Hydrostatic Transaxle , Rt	ZT-3800	1
12	DUPZT7020803	Lock Nut	M8	8
13	DUPZT7030813	Large Washer	Φ8	2
14	DUPZT7010932	Hex Bolt	M8×120	2
15	DUPZT4045990	Left tendril		1
16	DUPZT7030602	Washer	Φ6	2
17	DUPZT7131806	D Pin		2
18	DUPZT1051841	B81 Belt		1
19	DUPZT4045980	Right tendril		1
20	DUPZT7021004A	Lock Nut	M10	3
21	DUPZT4124435	Drive Belt stripper		1
22	DUPZT7085391	Spacer		2
23	DUPZT7144002	Washer		2
24	DUPZT7061223	Deep groove ball bearing	6203	2
25	DUPZT1047125	Idler Pulley		2
26	DUPZT7085411	Spacer		1
27	DUPZT4010015	Welding of tension swing Rod		1
28	DUPZT7011065	Hex Bolt	M10×65	1
29	DUPZT7060014	Deep groove ball bearing	6002	2
30	DUPZT7085400	Spacer	φ16-25	1
31	DUPZT7031027	Big Washer	Φ10	1
32	DUPZT7020803A	Lock Nut	M8	6
33	DUPZT4270015	Fixing plate	M6×20	1
34	DUPZT7180812	Square neck bolt	M8×20	2
35	DUPZT7021222	Hex Flange Nut	M12	2
36	DUPZT7291208	Joint Bolt	M12×90	1
37	DUPZT7059600	Idler Pulley Spring	Φ10	1
38	DUPZT7010888	Hex Bolt	M8×20	2
39	DUPZT7320020	Grease Zerk	M8×1	1
40	DUPZT4018805	Bearing seat welding		1
41	DUPZT4061606	Transaxle/Shield Panel		1
42	DUPZT7010894	Hex Flange Bolt	M8×16	2



## STEERING ASSEMBLY

No.	Part number	Description	Specification	Qty
1	DUPZT7181630	Bolt joint		2
2	DUPZT7030819	Washer	Ø8	18
3	DUPZT7121004	Joint Bearing RH/Rod End		2
4	DUPZT7020803A	Hex Lock Nut	M8	4
5	DUPZT7020804	Hex Nut	M8	8
6	DUPZT7292017	Straight draw bar		2
7	DUPZT7292009	Rotary casing		2
8	DUPZT7020860	Hex Nut	M8-L	2
9	DUPZT4022000	Welding of bending tie Rod		2
10	DUPZT7010826	Hex Bolt	M8×45	2
11	DUPZT7020803	Hex Lock Nut	M8	8
12	DUPZT7131806	D Pin		4
13	DUPZT2020450	Damper		2
14	DUPZT4133431	Bearing Pedestal		2
15	DUPZT4163010	Bearing Cap		4
16	DUPZT7060014	Bearing	6002-2RS	4
17	DUPZT4269820	Motion Pivot/RH		1
18	DUPZT5060601	Steel Ball	6	2
19	DUPZT7057560	Operating Stop Spring		2
20	DUPZT7083810	Bearing w/Flange		2
21	DUPZT4301240	Control Arm /RH		1
22	DUPZT7083540	Plastic Washer		2
23	DUPZT7010821	Hex Bolt	M8×25	4
24	DUPZT7040802	Lock Washer	Ø8	6
25	DUPZT7021004A	Hex Lock Nut	M10	2
26	DUPZT4165750	Lock Washer /RH		1
27	DUPZT4018850	Steering Handle RH		1
28	DUPZT5010025	Handle Grip- Foam		2
29	DUPZT7010844	Hex Bolt	M8×50	2
30	DUPZT7010880	Hex Bolt	M8×70	8
31	DUPZT4018840	Steering Handle LH		1
32	DUPZT4301230	Control Arm /LH		1
33	DUPZT4165740	Lock Washer /LH		1
34	DUPZT4269810	Motion Pivot/LH		1

## PARKING BRAKE ASSEMBLY

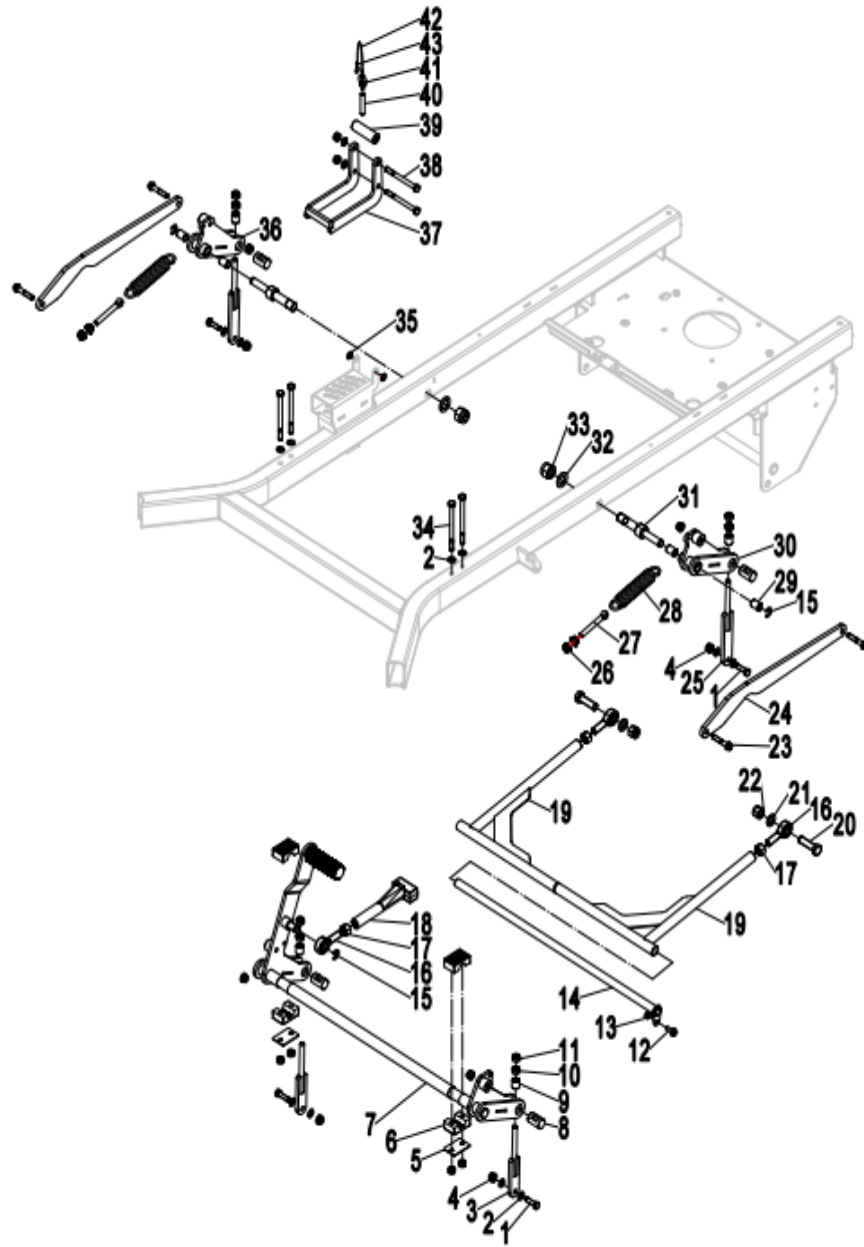


No.	Part number	Description	Specification	Qty
1	DUPZT4022010	Washer		2
2	DUPZT7051511	Spring		2
3	DUPZT7020803A	Hex Lock Nut	M8	8
4	DUPZT7121004	Joint Bearing RH/Rod End	M8	2
5	DUPZT7020804	Hex Nut	M8	4
6	DUPZT4020037	Straight draw bar		2
7	DUPZT4022030	Joint, Swivel		3
8	DUPZT7010662	Hex Bolt	M6×16	4
9	DUPZT4020016	Bracket		2
10	DUPZT7120200	Bearing		2
11	DUPZT7010826	Hex Bolt	M8×45	2
12	DUPZT4020038	Brake Linkage Weldment		1
13	DUPZT7030601	Washer	Φ6	4
14	DUPZT7020602A	Hex Lock Nut	M6	4
15	DUPZT7083540	Plastic Washer		2
16	DUPZT7031009	Washer	Φ10	2

## PARKING BRAKE ASSEMBLY

No.	Part number	Description	Specification	Qty
17	DUPZT7011019	Hex Bolt	M10×35	1
18	DUPZT4022001	Handbrake		1
19	DUPZT7021004A	Hex Lock Nut	M10	1
20	DUPZT7131806	D Pin		1
21	DUPZT7030819	Washer	Φ8	1
22	DUPZT4020032	Park handle		1
23	DUPZT4042595	Grip, Brake Handle		1

# DECK CARRIER ASSEMBLY

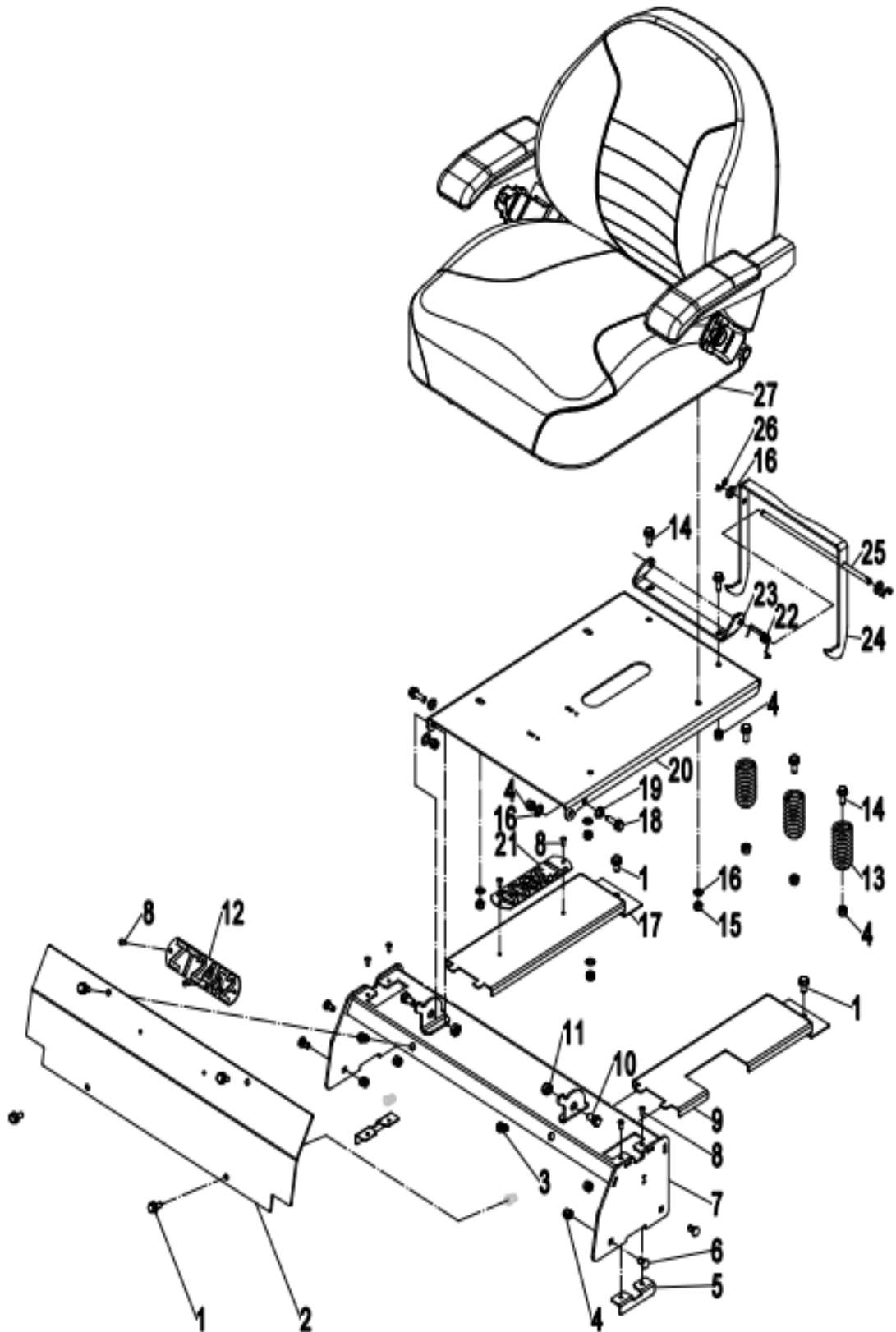


No.	Part number	Description	Specification	Qty
1	DUPZT7011063	Hex Bolt	M10x45	4
2	DUPZT7031009	Washer	Φ10	14
3	DUPZT4046071	Rod, Deck Lift		2
4	DUPZT7021004A	Hex Lock Nut	M10	12
5	DUPZT4151750	Lift Bearing Lower Plate		2
6	DUPZT4310015	Lift Bearing Block		4
7	DUPZT4058241	Lift Lever		1
8	DUPZT4046050	Trunnion		4
9	DUPZT4046040	Spacer		4

## DECK CARRIER ASSEMBLY

No.	Part number	Description	Specification	Qty
10	DUPZT7021201	Hex Nut	M12	4
11	DUPZT7021204A	Hex Lock Nut	M12	4
12	DUPZT7010820	Hex Flange Bolt	M8×20	1
13	DUPZT7020803A	Hex Lock Nut	M8	1
14	DUPZT4181251	Lock Pin -Roller		1
15	DUPZT7141203	Snap Ring	Φ12	3
16	DUPZT7121601	Joint Bearing/Rod End	M16	3
17	DUPZT7021607	Hex Nut	M16	3
18	DUPZT4040019	Slide, Height Adjustment		1
19	DUPZT4160811	Radius Arm Assembly		2
20	DUPZT7011621	Hex Bolt	M16×55	2
21	DUPZT7031602	Washer	Φ16	2
22	DUPZT7021603	Hex Lock Nut	M16	2
23	DUPZT7241054	Hex Flange Bolt	M10×55	4
24	DUPZT4058271	Pendulum link		2
25	DUPZT4046061	Rod, Deck Lift		2
26	DUPZT7021242	Hex Flange Nut		4
27	DUPZT7291208	Joint Bolt	M12×90	2
28	DUPZT7059750	Idler Pulley Spring		2
29	DUPZT7121800	Self-lubricating bearing		4
30	DUPZT4058243	Deck Rocker LH		1
31	DUPZT1010086	Raise the connecting shaft		2
32	DUPZT7032006	Washer	Φ20	2
33	DUPZT7022007	Hex Lock Nut	M20	2
34	DUPZT7011075	Hex Bolt	M10×130	4
35	DUPZT7122006	Flange bearings		2
36	DUPZT4058242	Deck Rocker RH		1
37	DUPZT4046082	Grip, Deck Latch		1
38	DUPZT7011080	Hex Bolt	M10×110	2
39	DUPZT4046141	Spacer		1
40	DUPZT4046100	Pin		1
41	DUPZT1035104	Ring Bolt		1
42	DUPZT4170165	Wire Rope	1.5-270	1
43	DUPZT7084410	Aluminum Sleeve		2

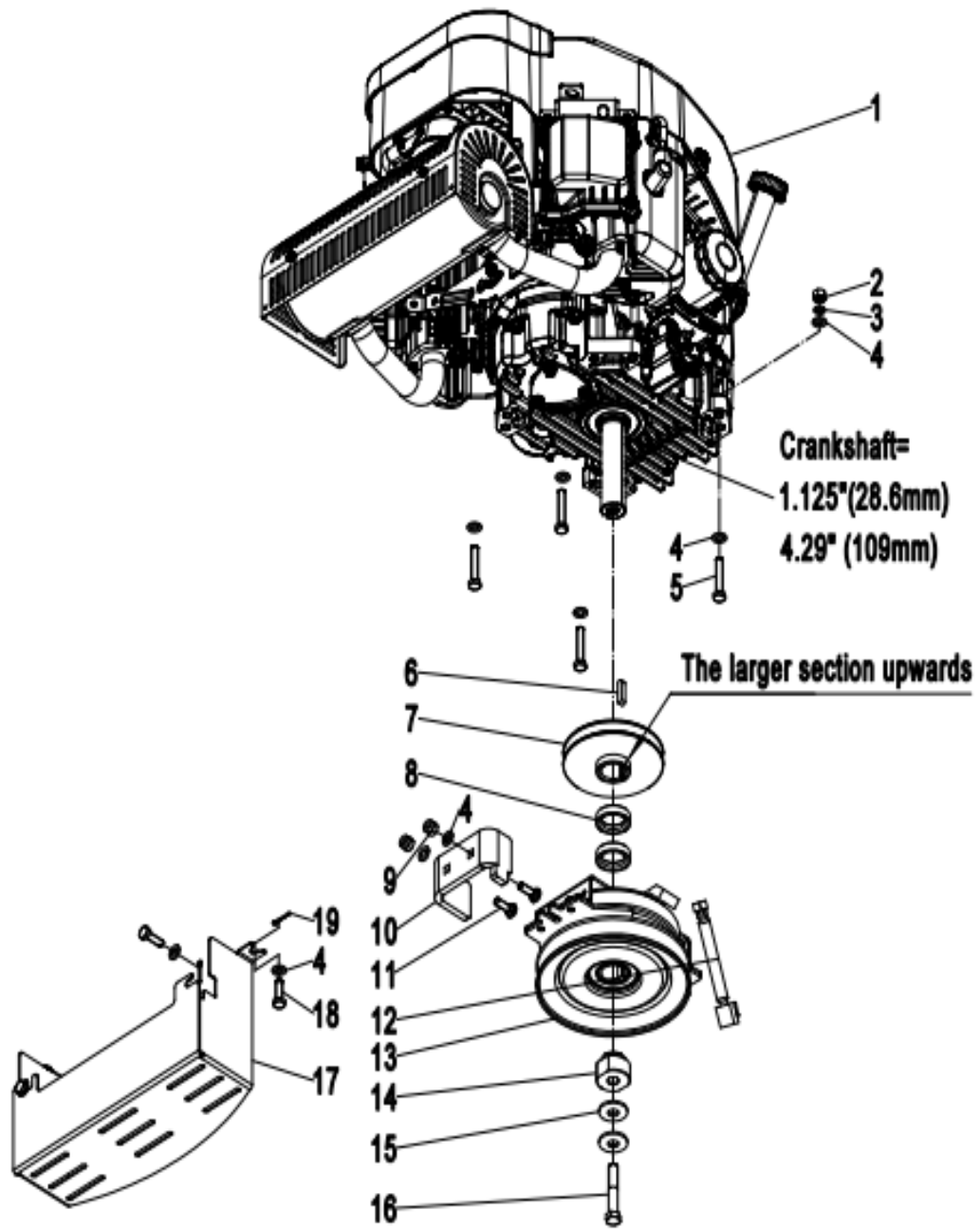
# SEAT ASSEMBLY



## SEAT ASSEMBLY

No.	Part number	Description	Specification	Qty
1	DUPZT7010894	Hex Flange Bolt	M8×16	6
2	DUPZT4033117	Front Plate		1
3	DUPZT7020901	Rivet Nut	M8	2
4	DUPZT7020803A	Hex Lock Nut	M8	11
5	DUPZT4060418	Limit plate		2
6	DUPZT7180817	Square neck bolt	M8×16	4
7	DUPZT4138881	Seat Bottom Front Fender		1
8	DUPZT7030413	Rivet	4.8×12	6
9	DUPZT4561380	Left Side Baffle		1
10	DUPZT7181620	Pivot Bolt		2
11	DUPZT7021004A	Hex Lock Nut	M10	2
12	DUPZT6060221	Model Number		1
13	DUPZT7059381	Seat Spring		3
14	DUPZT7010820	Hex Flange Bolt	M8×20	5
15	DUPZT7020015A	Hex Lock Nut	5/16-18	4
16	DUPZT7030819	Washer	Ø8	8
17	DUPZT4130018	Side Baffle		1
18	DUPZT7010838	Hex Flange Bolt	M8×25	2
19	DUPZT7120190	Nylon sleeve		2
20	DUPZT4138890	Seat Plate		1
21	DUPZT6060225	Model Number		1
22	DUPZT7051521	Spring		1
23	DUPZT3060760-02	Fixed Plate		1
24	DUPZT3060760-01	Limiting Plate		1
25	DUPZT3060760-03	Rotary Shaft		1
26	DUPZT7131806	D Pin		2
27	DUPZT5080070	Seat		1

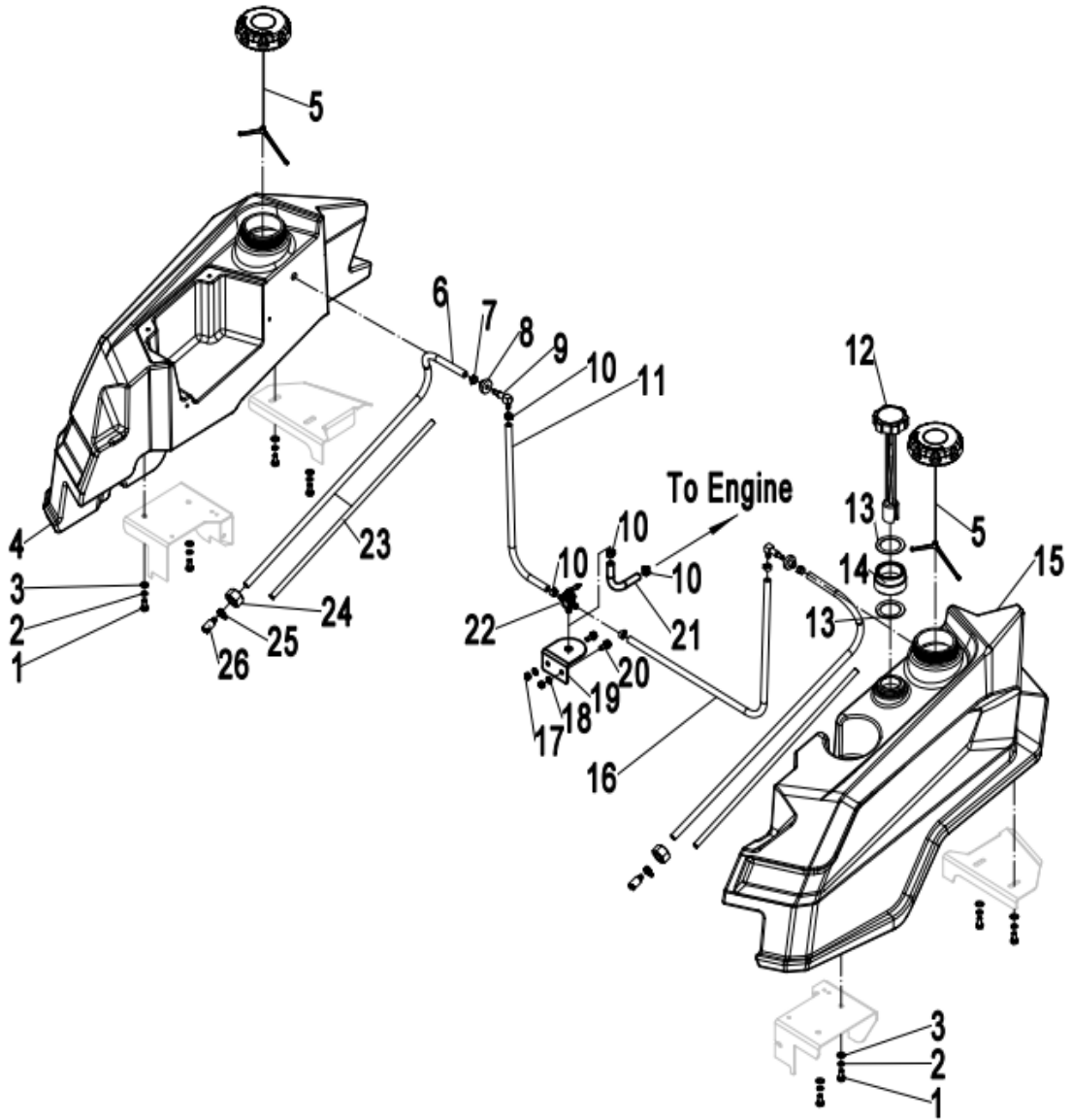
# ENGINE ASSEMBLY



## ENGINE ASSEMBLY

No.	Part number	Description	Specification	Qty
1	DUPZTLC2P82F-L3051	LC Engine		1
2	DUPZT7020804	Hex Nut	M8	4
3	DUPZT7040802	Lock Washer	Ø8	4
4	DUPZT7030819	Washer	Ø8	14
5	DUPZT7010814	Hex Bolt	M8×40	4
6	DUPZT7110608A	Key	6.35×6.35×30	1
7	DUPZT1047115	B138-28.6 Pulley		1
8	DUPZT4124421	Spacer		2
9	DUPZT7020803A	Hex Lock Nut	M8	2
10	DUPZT4221320	Clutch stop		1
11	DUPZT7180818	Hex Bolt	M8×25	2
12	DUPZT9054890	Transfer Harness		1
13	DUPZT7101445	Electromagnetic PTO Clutch		1
14	DUPZT4124460	Clutch Sleeve		1
15	DUPZT4071060	Clutch Plate		2
16	DUPZT7010140A	Inch Bolt	7/16-20×2 1/2	1
17	DUPZT4060169	Belt pulley guard		1
18	DUPZT7016560	Hex Bolt	M8×25	4
19	DUPZT7130204	pin		4

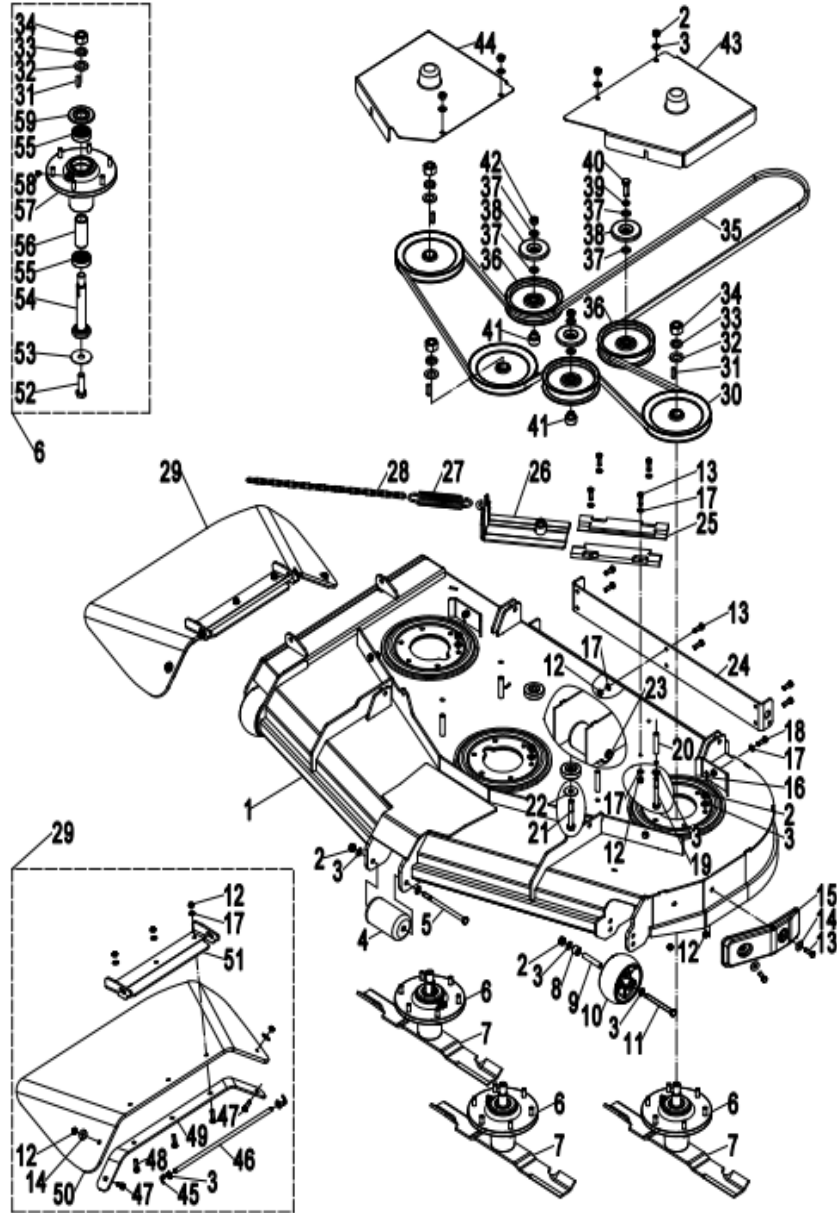
# FUEL ASSEMBLY



## FUEL ASSEMBLY

No.	Part number	Description	Specification	Qty
1	DUP7010847	Hex Bolt	M8×16	8
2	DUP7040802	Lock Washer	Φ8	8
3	DUP7030819	Washer	Φ8	8
4	DUP2082240-EPA	Fuel Tank, RH		1
5	DUP2080590	Fuel Cap		2
6	DUP2118241	Fuel Line		2
7	DUP7150173	Hose Clamp-Spring		2
8	DUP7083440	Bushing-Fuel Tube		2
9	DUP2128020	Suction Elbow		2
10	DUP7150170	Hose Clamp-Spring		6
11	DUP2119340-EPA	Fuel Line		1
12	DUPJYT01375	Fuel Gauge		1
13	DUP4040002	Rubber Pad		2
14	DUP4040001	Transition Coupling		1
15	DUP2082250-EPA	Fuel Tank, LH		1
16	DUP2119900-EPA	Fuel Line		1
17	DUP7020602A	Hex Lock Nut	M6	2
18	DUP7030601	Washer	Φ6	2
19	DUP4070331	Oil Circuit Switch Bracket		1
20	DUP7010674	Hex Flange Bolt	M6×16	2
21	DUP2115940-EPA	Fuel Line		1
22	DUPH0907	Valve, Fuel Shut-Off		1
23	DUP2119701	Oil Tube Lining		2
24	DUP7022004	Hex Nut	M20×1.5	2
25	DUP7150024	Pipe Clamp		2
26	DUP2060195	Filter Adapter		2

## 52" MOWER DECK ASSEMBLY



No.	Part number	Description	Specification	Qty
1	DUPZT4242022	52" Mower Deck		1
2	DUPZT7021004A	Hex Lock Nut	M10	26
3	DUPZT7031009	Washer	Φ10	34
4	DUPZT8010015	Anti-scalp Roller		2
5	DUPZT7011456	Hex Bolt	M10×160	1
6	DUPZTB500636	Blade Spindle Assembly		3
7	DUPZT3010751	458 Blade		3
8	DUPZT4262150-03	Spacer		2
9	DUPZT4240585	Spacer		2
10	DUPZT8011800	Anti-scalp Roller		2

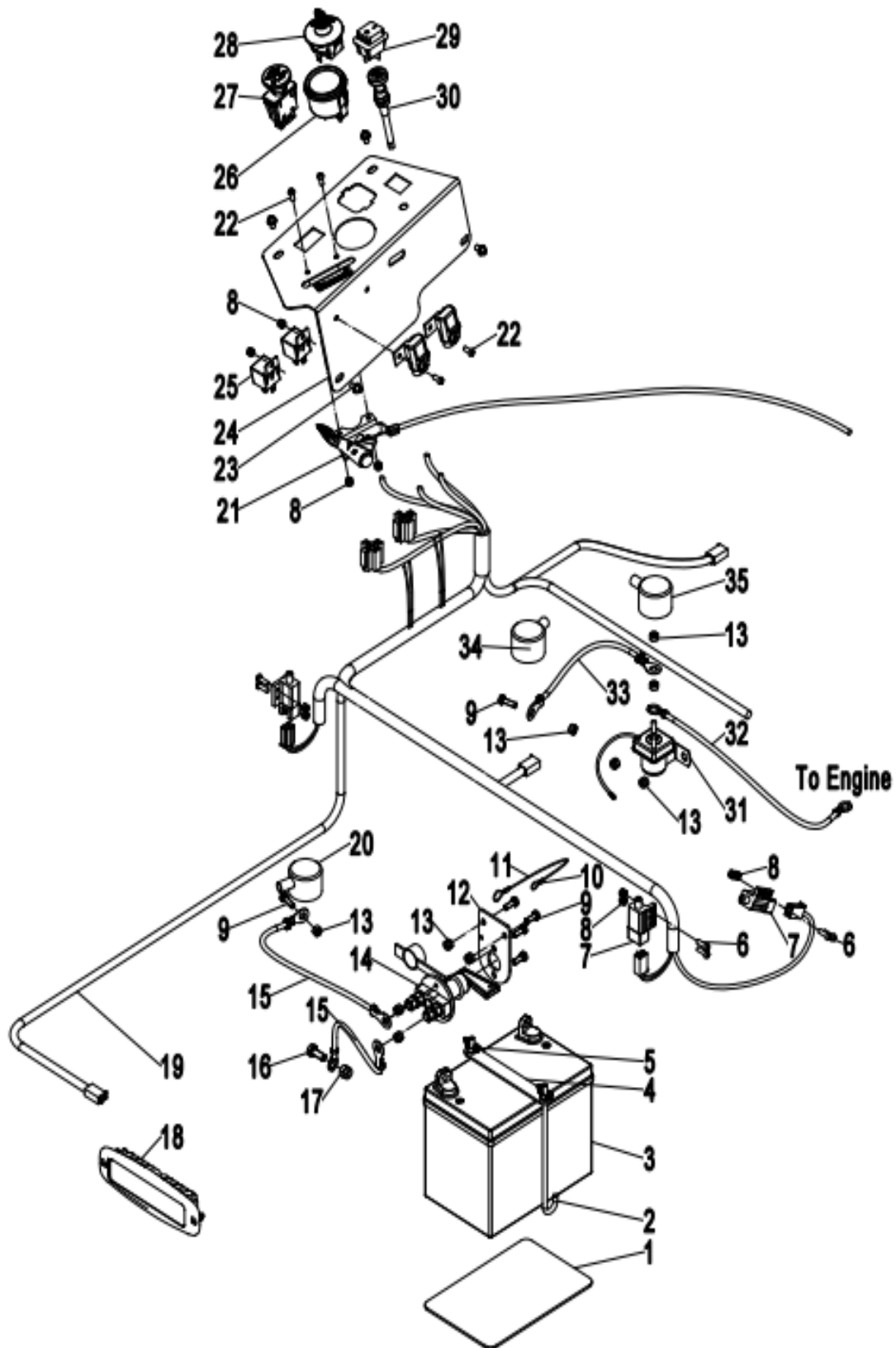
## 52" MOWER DECK ASSEMBLY

No.	Part number	Description	Specification	Qty
11	DUPZT7011080	Hex Bolt	M10×110	2
12	DUPZT7020803A	Hex Lock Nut	M8	11
13	DUPZT7010821	Hex Bolt	M8×25	6
14	DUPZT7030813	Big Washer	Φ8	4
15	DUPZT4060113	Impact block		1
16	DUPZT7130204	Pin		6
17	DUPZT7030819	Washer	Φ8	17
18	DUPZT7016560	Hex Bolt	M8×25	6
19	DUPZT7011052	Hex Bolt	M10×80	4
20	DUPZT7085530	Spacer		4
21	DUPZT7011307	Hex Bolt	M12×75	2
22	DUPZT7031208	Big Washer	Φ12	2
23	DUPZT7011155	Hex Bolt	M10×150	1
24	DUPZT4138882	Rear support of cutter disk		1
25	DUPZT4540010	Slider		2
26	DUPZT4040036	Idler Arm		1
27	DUPZT7059750	Idler Pulley Spring		1
28	DUPZT5092240	Chain		1
29	DUPZTB021260	Discharge Rubber Guard Assembly		1
30	DUPZT1042100	Pulley	B157	3
31	DUPZT7110803	Key	8×7×30	3
32	DUPZT7032006	Washer	Φ20	3
33	DUPZT7042003	Lock Washer	Φ20	3
34	DUPZT7022004	Hex Nut	M20×1.5	3
35	DUPZT1050163	Belt	SB163	1
36	DUPZT1041690	Deck Mount		3
37	DUPZT7031221	Washer	Φ12	6
38	DUPZT4241745	Dust cover		3
39	DUPZT7041202	Lock Washer	Φ12	1
40	DUPZT7011255	Hex Bolt	M12×35	1
41	DUPZT1012026	Wheel shaft		2
42	DUPZT7021204A	Hex Lock Nut	M12	2
43	DUPZT4241831	Belt Guard LH		1
44	DUPZT4241832	Belt Guard RH		1
45	DUPZT7131806	D Pin		2
46	DUPZT1010027	Connecting shaft		1
47	DUPZT7180839	Hex Bolt	M8×30	2
48	DUPZT7180818	Hex Bolt	M8×25	3
49	DUPZT4157656	Mount Plate/Lower		1
50	DUPZT4065071	Rubber Guard		1
51	DUPZT4157657	Mount Plate/Lower		1
52	DUPZT7011606	Hex Bolt	M16×1.5×50	3
53	DUPZT4152540	Plate		3

## 52" MOWER DECK ASSEMBLY

No.	Part number	Description	Specification	Qty
54	DUPZT1014040	Spindle Shaft		3
55	DUPZT7061232	Deep groove ball bearing	6205-DDU	6
56	DUPZT4120860	Bearing Spacer		3
57	DUPZT4070440	Spindle Housing		3
58	DUPZT7320020	Grease Zerk	M8x1	3
59	DUPZT4065201	Bearing Shield		3

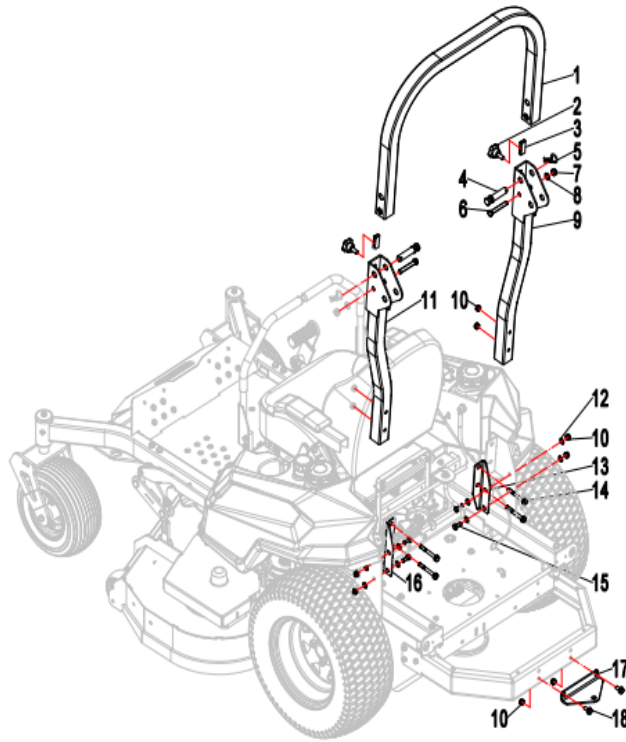
# ELECTRICAL ASSEMBLY



## ELECTRICAL ASSEMBLY

No.	Part number	Description	Specification	Qty
1	DUPZT5041160	Battery cushion		1
2	DUPZT4181281	Battery Hold Down Strap Rod		2
3	DUPZT9070335	Battery		1
4	DUPZT4152270	Battery Hold Down Plate		1
5	DUPZT7020606	Wing Nut		2
6	DUPZT7260531	Cross Recess Head Screw	M5×16	6
7	DUPZT9010495	Interlock Switch		3
8	DUPZT7020505A	Hex Lock Nut	M5	10
9	DUPZT7010662	Hex Bolt	M6×16	6
10	DUPZT7084410	Oval Aluminum Sleeve		2
11	DUPZT4170165	Wire Rope		1
12	DUPZT9160191	Switch Bracket		1
13	DUPZT7020602A	Hex Lock Nut	M6	10
14	DUPZT9210450	Wire Rope		1
15	DUPZT9053181	Battery negative wire harness		2
16	DUPZT7010894	Hex Flange Bolt	M8×16	1
17	DUPZT7020803A	Hex Lock Nut	M8	1
18	DUPZT4110644	LED Light		1
19	DUPZT9055150	Main Harness		1
20	DUPZT6631001	Cathode Protective Cap		1
21	DUPZT5073170	Throttle Box		1
22	DUPZT7260507	Cross Recess Head Screw	M5×12	4
23	DUPZT7260602	Hex Bolt	M6×12	4
24	DUPZT9160190	Console		1
25	DUPZT9021001	Relay		2
26	DUPZT9100669	Electric Change and Hour Meter		1
27	DUPZT9010548	PTO Clutch Switch		1
28	DUPZTAES-1311-53A	Ignition Switch		1
29	DUPZT2117431	Switch		1
30	DUPZT5072470	Choke Control		1
31	DUPZT9020280	Starting Relay		1
32	DUPZT9053191	Starting harness		1
33	DUPZT9053171	Battery positive wire harness		1
34	DUPZT6631002	Positive Protective Cap		1
35	DUPZT6631003	Power Cord Protective Cap		3

## ROPS ASSEMBLY



No.	Part number	Description	Specification	Qty
1	DUPZT4260841	U-Shape Bar		1
2	DUPZT5013230	Knob	M12×25	2
3	DUPZT4162520	Springle Cushion		2
4	DUPZT7133220	Lock Pin		2
5	DUPZT7133130	R Pin		2
6	DUPZT7011301	Hex Bolt	M12×80	2
7	DUPZT7021204A	Hex Lock Nut	M12	2
8	DUPZT7031221	Washer	Φ12	2
9	DUPZT4039620	Right Arm		1
10	DUPZT7021004A	Hex Lock Nut	M10	10
11	DUPZT4039610	Left Arm		1
12	DUPZT7031009	Washer	Φ10	8
13	DUPZT4020024	Right connecting plate		1
14	DUPZT7011064	Hex Bolt	M10×80	4
15	DUPZT7011016	Hex Bolt	M10×25	4
16	DUPZT4020023	Left connecting plate		1
17	DUPZT5090910	Drag Hook connecting plate		1
18	DUPZT7011092	Hex Bolt	M10×20	2

# ELECTRICAL DIAGRAM

