

LITTLE BEAVER

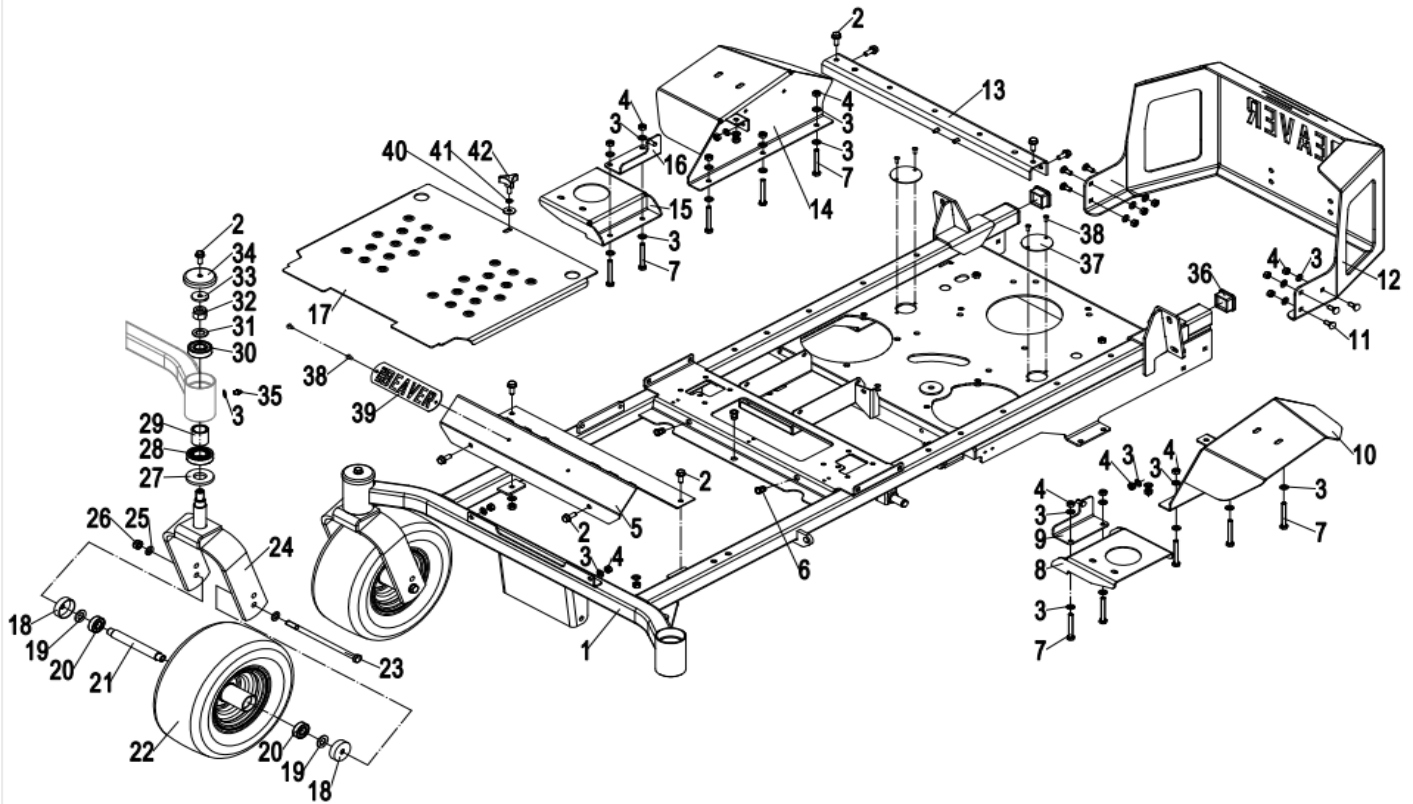
Equipment parts manual

Model : DUEZT2342-T2200
Zero-turn mower



Picture may not reflect the exact model

CHASSIS ASSEMBLY

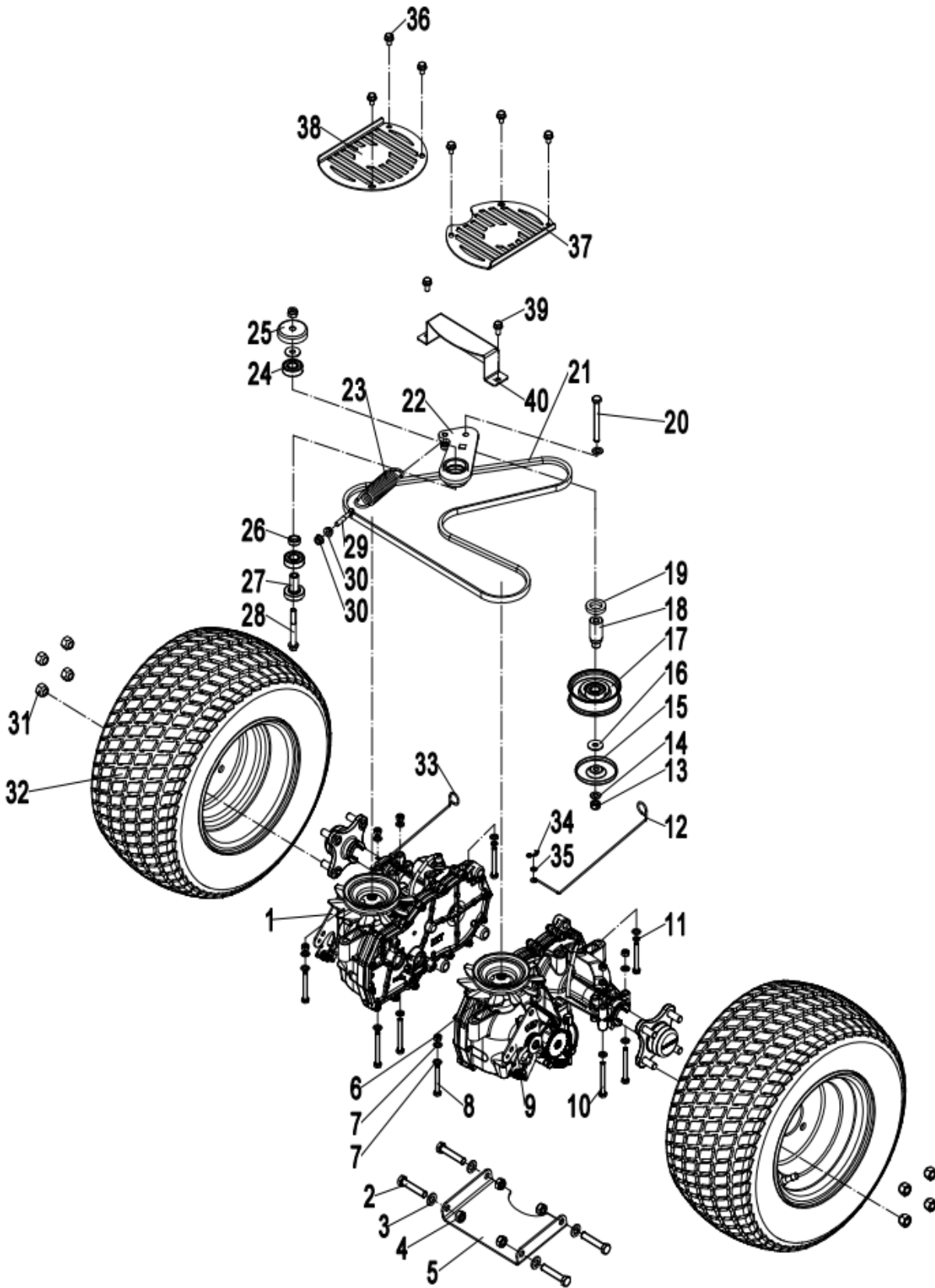


No.	Part number	Description	Specification	Qty
1	DUPZTB000421-01	Chassis		1
2	DUPZT7010820	Hex Flange Bolt	M8×20	10
3	DUPZT7030819	Washer	Φ8	36
4	DUPZT7020803A	Hex Lock Nut	M8	24
5	DUPZT4030019	Front Tread Footrest		1
6	DUPZT7020901	Rivet Nut	M8×18	3
7	DUPZT7010807	Hex Bolt	M8×60	10
8	DUPZT4034968	Mounting bracket		1
9	DUPZT4034969	Damper bracket,LH		1
10	DUPZT4034967	Shield Tire,LH		1
11	DUPZT7180812	Square neck bolt	M8×20	6
12	DUPZT4561180	Shield Rear		1
13	DUPZT4034965	Spring Mounting bracket		1
14	DUPZT4034966	Shield Tire,RH		1
15	DUPZT4034964	Mounting bracket		1
16	DUPZT4034963	Damper bracket,RH		1

CHASSIS ASSEMBLY

No.	Part number	Description	Specification	Qty
17	DUPZT4034951	Tread Footrest		1
18	DUPZT4060044	Dust cover		4
19	DUPZT7031401	Washer	Φ14	4
20	DUPZT7060201	Ball Bearing	6202	4
21	DUPZT7085470	SPACER		2
22	DUPZT8031165	Guide wheels		2
23	DUPZT7011171	Hex Bolt	M10×190	2
24	DUPZT4030038	Caster Wheel Fork		2
25	DUPZT7031009	Washer	Φ10	4
26	DUPZT7021004A	Hex Lock Nut	M10	2
27	DUPZT4012953	spacer		2
28	DUPZT7061234	Roller Bearing		2
29	DUPZT7085350	spacer		2
30	DUPZT7060401	Deep Groove Ball Bearing		2
31	DUPZT7031602	Washer	Φ16	2
32	DUPZT7021603	Hex Lock Nut	M16	2
33	DUPZT7080470	Pressure pad		2
34	DUPZT2131951	Dust cover		2
35	DUPZT7320020	Grease Zerk	M8×1	2
36	DUPZT2133780	Square tube plug		2
37	DUPZT4561120	Plate		2
38	DUPZT7030413	Rivet		6
39	DUPZT6060215	Model Number		1
40	DUPZT7030813	Large Washer	Φ8	1
41	DUPZT7040802	Lock Washer	Φ8	1
42	DUPZT4011930	Knob		1

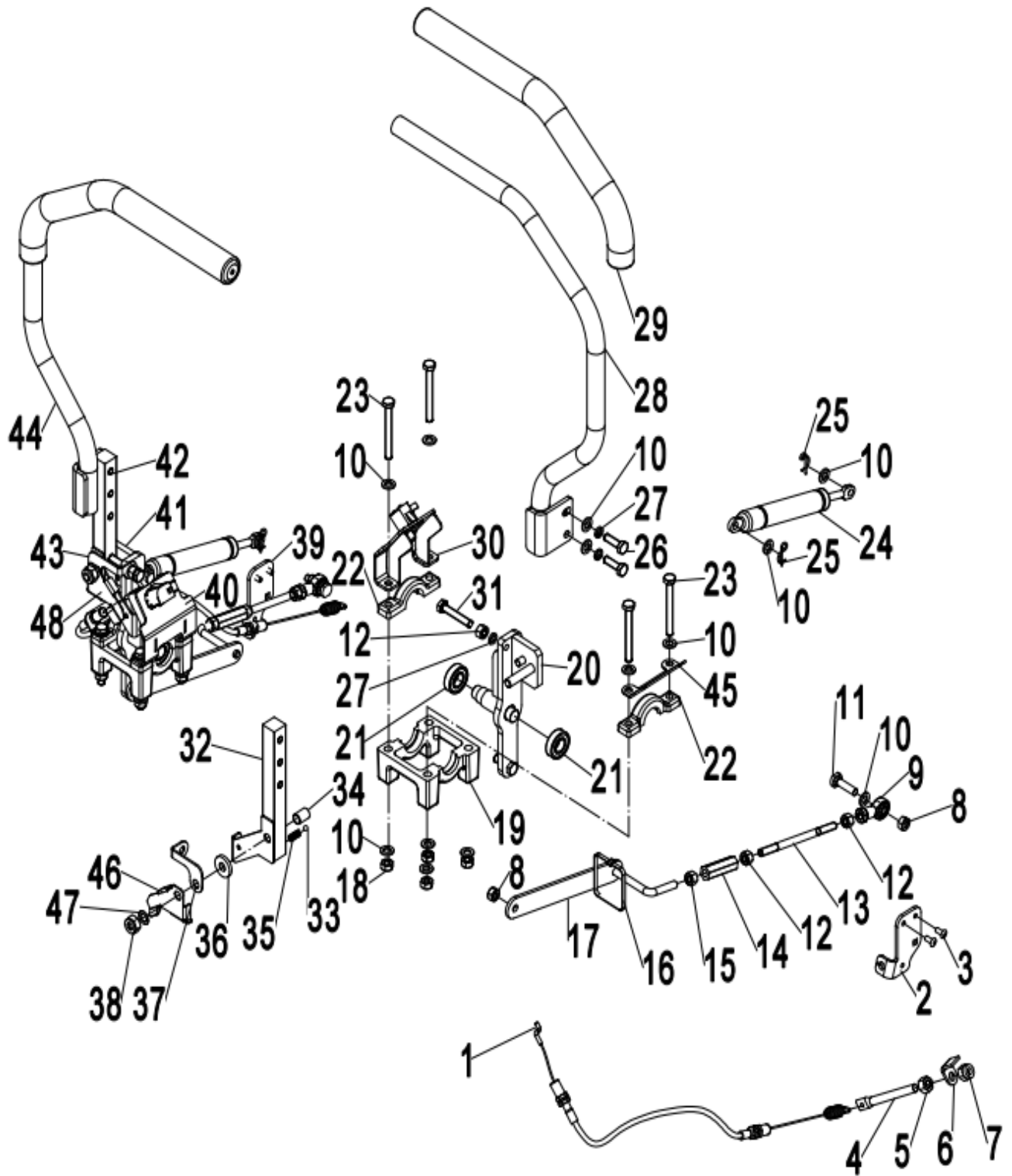
HYDROSTATIC TRANSAXLE/WHEEL ASSEMBLY



HYDROSTATIC TRANSAXLE/WHEEL ASSEMBLY

No.	Part number	Description	Specification	Qty
1	DUPZTZC-AUBB-4MEB-2PPX	Hydrostatic Transaxle , Rt	EZT	1
2	DUPZT7011240	Hex Bolt	M12×60	4
3	DUPZT7031221	Washer	Φ12	4
4	DUPZT7021204A	Hex Lock Nut	M12	4
5	DUPZT4052230	Transaxle Plate		1
6	DUPZT7020803	Hex Lock Nut	M8	6
7	DUPZT7030819	Washer	Φ8	14
8	DUPZT7010807	Hex Bolt	M8×60	2
9	DUPZTZC-DUBB-4MEC-3PPX	Hydrostatic Transaxle ,Lt	EZT	1
10	DUPZT7010899	Hex Bolt	M8×75	4
11	DUPZT7040802	Lock Washer	Φ8	2
12	DUPZT4045990	Left tendril		1
13	DUPZT7021004	Hex Lock Nut	M10	2
14	DUPZT7031009	Washer	Φ10	2
15	DUPZT4061205	Dust cover		1
16	DUPZT7031004	Large washers	Φ10	2
17	DUPZT1041300	Idler Pulley		1
18	DUPZT1010003	Pulley Shaft		1
19	DUPZT7220321	Felt Loop		1
20	DUPZT7011094	Hex Bolt	M10×90	1
21	DUPZT1050165	Belt Bando A65		1
22	DUPZT4060421	Idler Pulley Arm		1
23	DUPZT7059600	Extension Spring		1
24	DUPZT7061224	Ball Bearing	6203	2
25	DUPZT4065160	Dust cover		1
26	DUPZT7085380	Spacer		1
27	DUPZT1014450	Shaft I		1
28	DUPZT7011123	Hex Flange Bolt	M10×80-10.9	1
29	DUPZT7290802	Loose joint bolt	M8×50	1
30	DUPZT7020819	Hexagonal lock nut	M8	2
31	DUPZT7010072A	Inch Wheel Hub Nut	1/2-20 UNF-2B	8
32	DUPZT8030018	Tire		2
33	DUPZT4045980	Right tendril		1
34	DUPZT7131806	D-Pin		2
35	DUPZT7030601	Washer	Φ6	2
36	DUPZT7010870	Hexagonal toothed bolts	M8×12	6
37	DUPZT4030088	Left drive fender		1
38	DUPZT4030089	Right drive fender		1
39	DUPZT7010894	Hex Flange Bolt	M8×16	2
40	DUPZTB000422-01	Tension pulley guard		1

STEERING & PARKING BRAKE ASSEMBLY

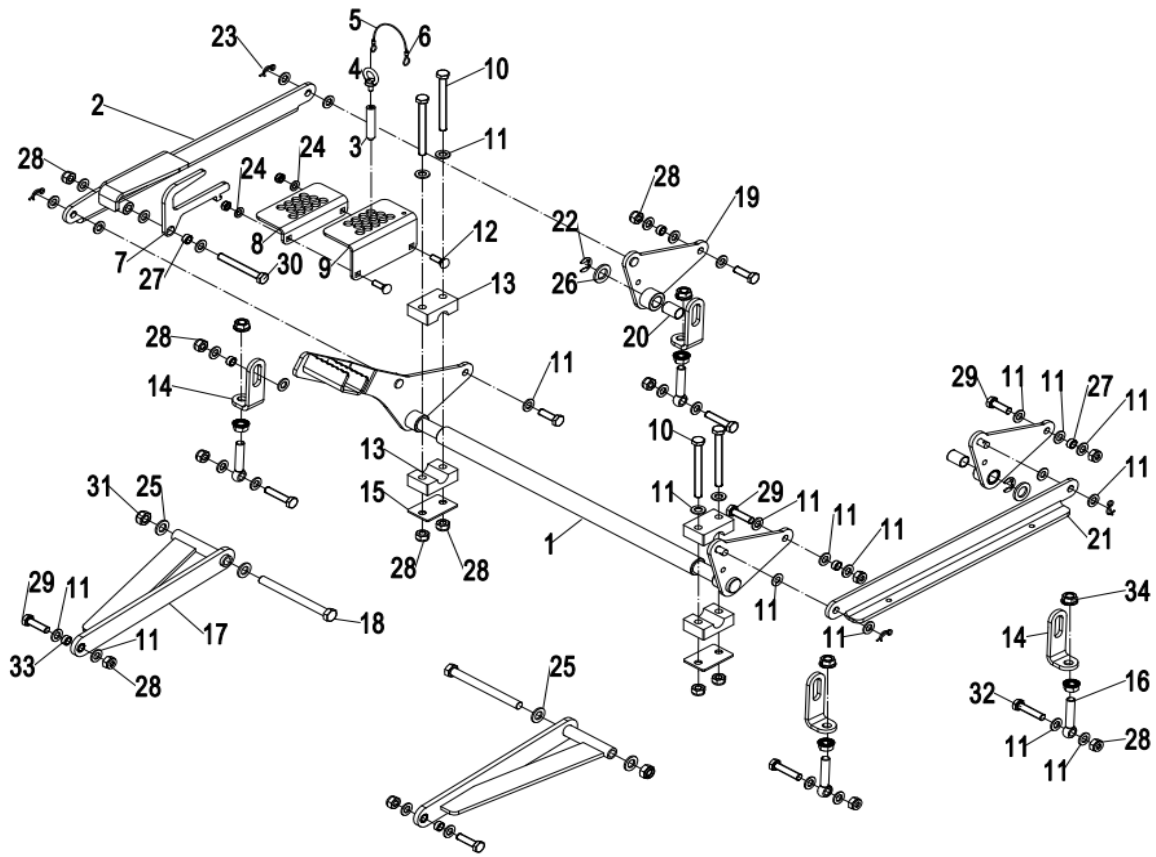


STEERING & PARKING BRAKE ASSEMBLY

No.	Part number	Description	Specification	Qty
1	DUPZT5072850	Brake Cable		2
2	DUPZT4260014	Cable Mount Bracket/LH		1
3	DUPZT7030413	Rivet		4
4	DUPZT7282006	Screw M6		2
5	DUPZT7020604	Hex Nut	M6	2
6	DUPZT4163470	L-Spacer		2
7	DUPZT7020602A	Hex Lock Nut	M6	2
8	DUPZT7020803A	Hex Lock Nut	M8	4
9	DUPZT7121004	Joint Bearing Rod End		2
10	DUPZT7030819	Washer	Ø8	26
11	DUPZT7181630	Axle Pin		2
12	DUPZT7020804	Hex Nut	M8	10
13	DUPZT7292008	Screw M8		2
14	DUPZT7292009	Neutral Buckle M8		2
15	DUPZT7020860	Hex Nut	M8-L	2
16	DUPZT9120785	Zip ties		2
17	DUPZT4021590	Control Link		2
18	DUPZT7020803	Hex Lock Nut	M8	8
19	DUPZT4133431	Bearing Pedestal		2
20	DUPZT4269810	Motion Pivot/LH		1
21	DUPZT7060014	Ball Bearing	6002	4
22	DUPZT4163010	Bearing Cap		4
23	DUPZT7010880	Hex Bolt	M8×70	8
24	DUPZT2020450	Damper		2
25	DUPZT7131806	D-Pin		4
26	DUPZT7010821	Hex Bolt	M8×25	4
27	DUPZT7040802	Lock Washer	Ø8	6
28	DUPZT4034971	Steering Handle LH		1
29	DUPZT5010025	Handle Grip-Foam		2
30	DUPZT4130008	Left mounting plate		1
31	DUPZT7010826	Hex Bolt	M8×45	6
32	DUPZT4300001	Control Arm/LH		1
33	DUPZT5060601	Ball	Ø6	2
34	DUPZT7083810	Bearing w/Flange		2
35	DUPZT7057560	Operating Stop Spring		2
36	DUPZT7083540	Plastic Washer		2
37	DUPZT4165740	Lock Washer /LH		1
38	DUPZT7021004A	Hex Lock Nut	M10	2
39	DUPZT4260016	Cable Mount Bracket/RH		1
40	DUPZT4130009	Right mounting plate		1
41	DUPZT4269820	Motion Pivot/RH		1
42	DUPZT4300002	Control Arm/RH		1
43	DUPZT4165750	Lock Washer /RH		1
44	DUPZT4034972	Steering Handle RH		1

No.	Part number	Description	Specification	Qty
45	DUPZT4260008	Brake line fixing plate		2
46	DUPZT4260011	Brake line limit plate/LH		1
47	DUPZT7031037	Nylon gaskets		2
48	DUPZT4260012	Brake line limit plate/RH		1

DECK CARRIER ASSEMBLY

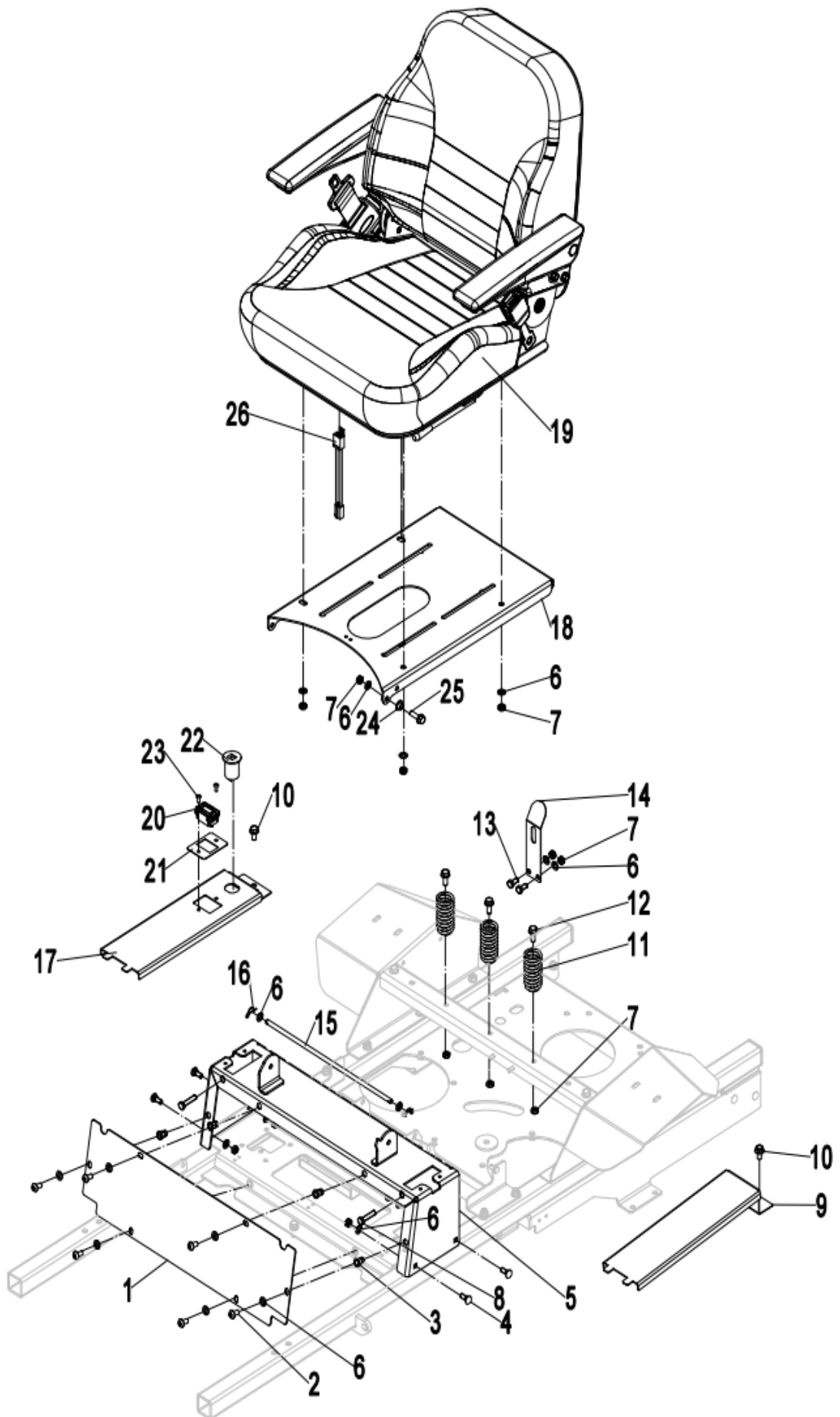


No.	Part number	Description	Spécification	Qty
1	DUPZT4030026	Lift Lever		1
2	DUPZT4058192	Link, Deck Lift-RH		1
3	DUPZT4046100	Pin Shaft		1
4	DUPZT1035104	Ring Bolt		1
5	DUPZT4170165	Wire Rope		1
6	DUPZT7084410	Aluminum sleeve	2.2x4.4x7	2
7	DUPZT4058193	Adjust the limit plate		1
8	DUPZT4058194	Cut Height Plate,Down		1
9	DUPZT4058195	Cut Height Plate,Up		1
10	DUPZT7011151	Hex Bolt	M10x100	4
11	DUPZT7031009	Washer	Φ10	31
12	DUPZT7180818	Square neck bolt	M8x25	2
13	DUPZT4310210	Lift Bearing Block		4
14	DUPZT4030028	CUTTERHEAD Lug		4
15	DUPZT4151750	Lift Bearing Lower Plate		2
16	DUPZT7291260	Joint Bolt	M12x60	4

DECK CARRIER ASSEMBLY

No.	Part number	Description	Spécification	Qty
17	DUPZT4030037	Knife disk support rod		2
18	DUPZT7011215	Hex Bolt	M12×130	2
19	DUPZT4030027	Deck Rocker RH		1
20	DUPZT7121800	Self-lubricating bearing		2
21	DUPZT4058199	Pendulum link		1
22	DUPZT7141203	Snap Ring	Φ12	2
23	DUPZT7131806	D-Pin		4
24	DUPZT7030819	Washer	Φ8	2
25	DUPZT7031221	Washer	Φ12	4
26	DUPZT7031602	Washer	Φ16	2
27	DUPZT4030036	Spacer		5
28	DUPZT7021004A	Hex Lock Nut	M10	15
29	DUPZT7011019	Hex Bolt	M10×35	6
30	DUPZT7011052	Hex Bolt	M10×80	1
31	DUPZT7021204A	Hex Lock Nut	M12	2
32	DUPZT7011063	Hex Bolt	M10×45	4
33	DUPZT4010395	Spacer		2
34	DUPZT7021242	Hexagonal lock nut	M12	8

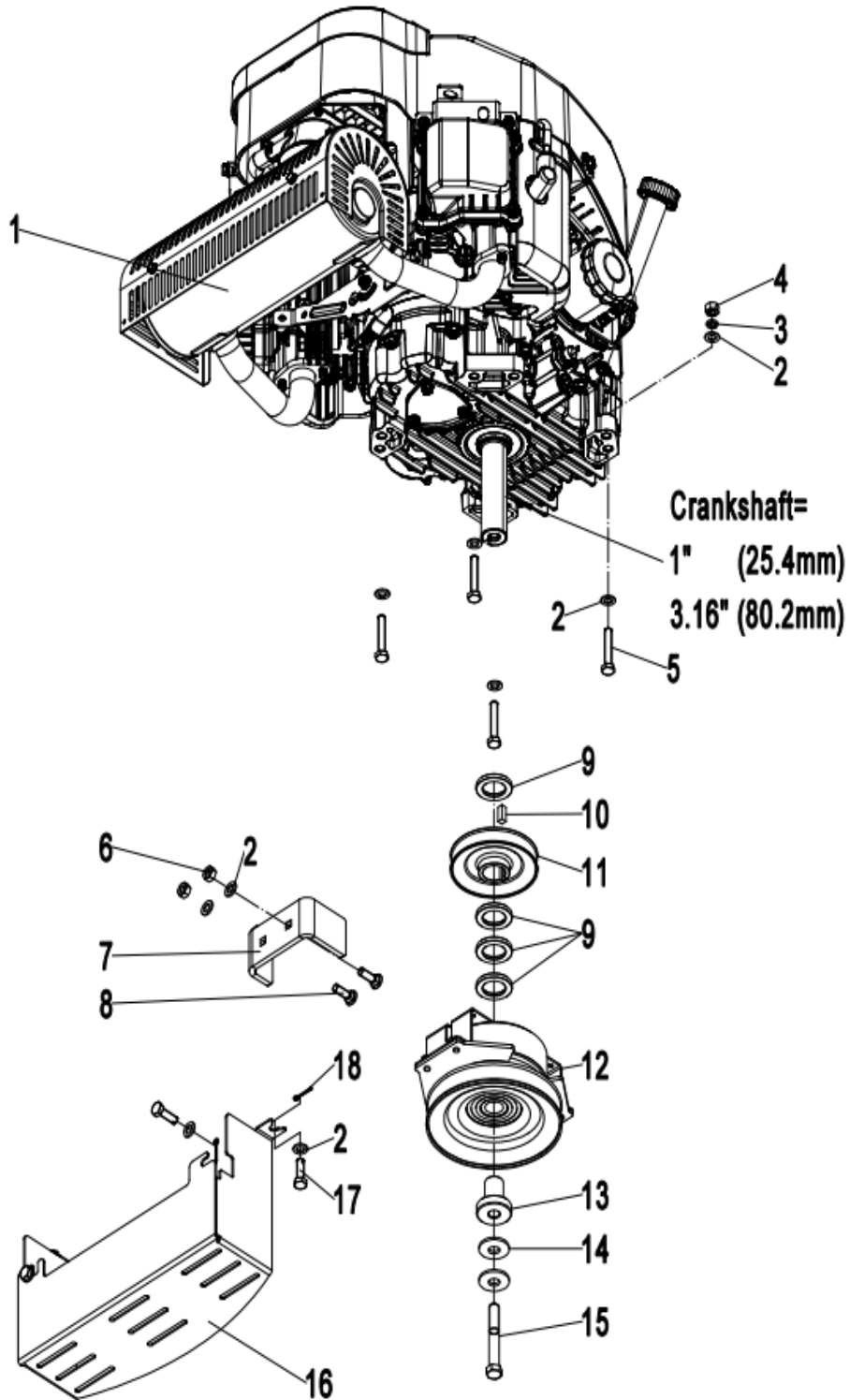
SEAT ASSEMBLY



SEAT ASSEMBLY

No.	Part number	Description	Spécification	Qty
1	DUPZT4030025	Front Plate		1
2	DUPZT7240999	Hexagon flat head screws	M8×16	6
3	DUPZT7020901	Rivet Nut	M8×18	4
4	DUPZT7180812	Square Neck Bolt	M8×20	4
5	DUPZT4030024	Seat Fender		1
6	DUPZT7030819	Washer	Ø8	22
7	DUPZT7020803A	Hex Lock Nut	M8	14
8	DUPZT7010837	Hex Bolt	M8×35	2
9	DUPZT4561150	connecting plate		1
10	DUPZT7010894	Hex Flange Bolt	M8×16	2
11	DUPZT7059381	Seat Spring		3
12	DUPZT7010820	Hex Flange Bolt	M8×20	3
13	DUPZT7010847	Hex Bolt	M8×16	2
14	DUPZT4034724	Seat Latch		1
15	DUPZT1014340	Connecting shaft		1
16	DUPZT7131806	D-Pin		2
17	DUPZT4060419	connecting plate		1
18	DUPZT4030078	Seat Plate		1
19	DUPZTTY15-3099	Seat		1
20	DUPZT6631006	Hour Meter		1
21	DUPZT4060417	Hour Meter Plate		1
22	DUPZT6631007	USB connector switch		1
23	DUPZT7030413	Rivet		2
24	DUPZT7120190	Spacer sleeve		1
25	DUPZT7010838	Hex Flange Bolt	M8×25	1
26	DUPZT9055625	Seat Line		1

ENGINE ASSEMBLY

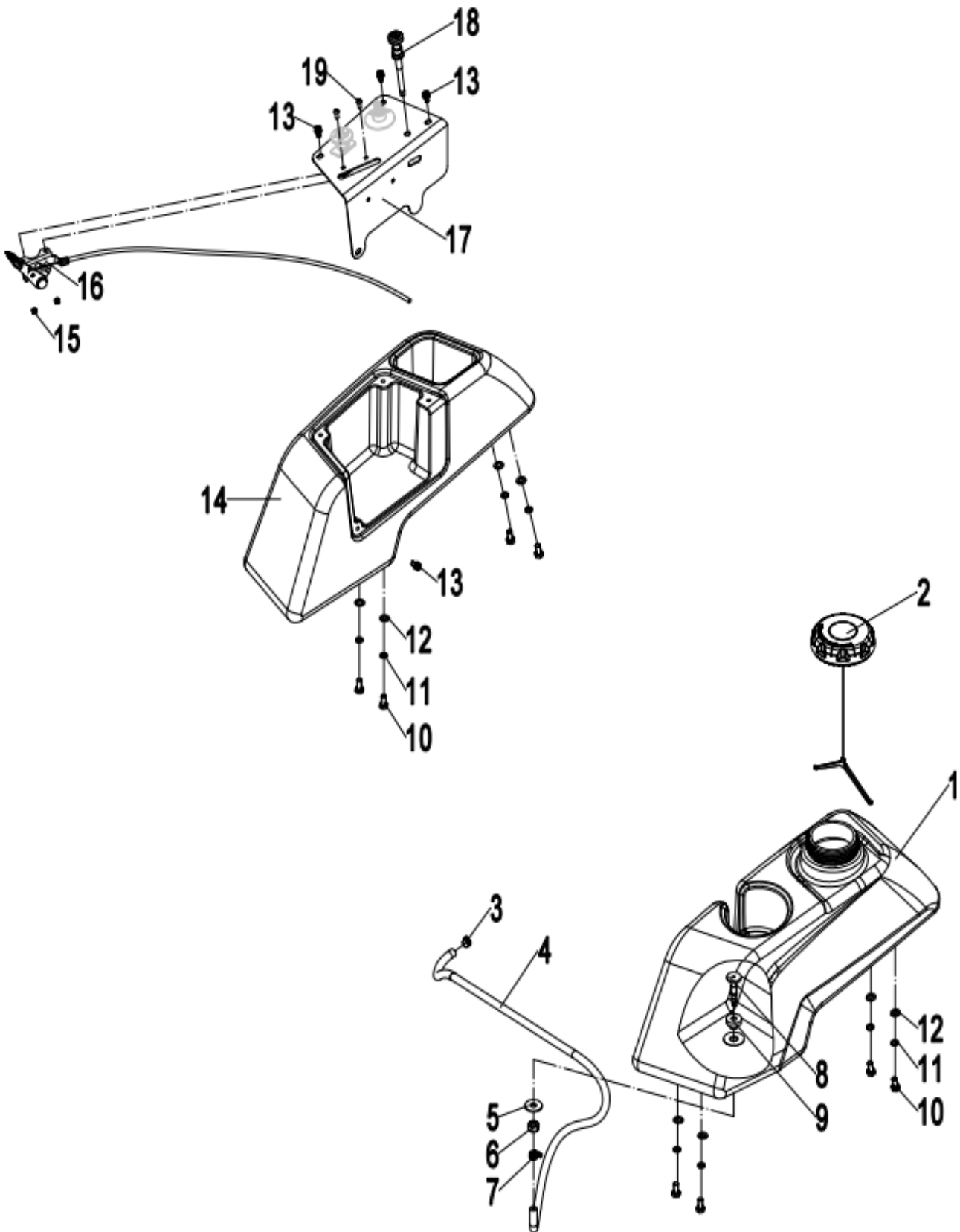


42" Mower

ENGINE ASSEMBLY

No.	Part number	Description	Spécification	Qty
1	DUPZTLC2P80F-L4013	Engine		1
2	DUPZT7030819	Washer	Ø8	14
3	DUPZT7040802	Lock Washer	Ø8	4
4	DUPZT7020804	Hex Nut	M8	4
5	DUPZT7010814	Hex Bolt	M8×40	4
6	DUPZT7020803A	Hex Lock Nut	M8	2
7	DUPZT4221320	Clutch stop		1
8	DUPZT7180818	Square Neck Bolt	M8×25	2
9	DUPZT4124390	Spacer		4
10	DUPZT7110610A	Key	6.35×6.35×25	1
11	DUPZT1041880	A97 Pulley		1
12	DUPZT7101430	Electromagnetic PTO Clutch		1
13	DUPZT4124400	Clutch Sleeve		1
14	DUPZT4071060	Clutch Plate		2
15	DUPZT7010075A	Inch Bolt	7/16-20×3	1
16	DUPZTB000423-01	Belt pulley guard		1
17	DUPZT7016560	Hex Bolt	M8×25	4
18	DUPZT7130204	Pin		4

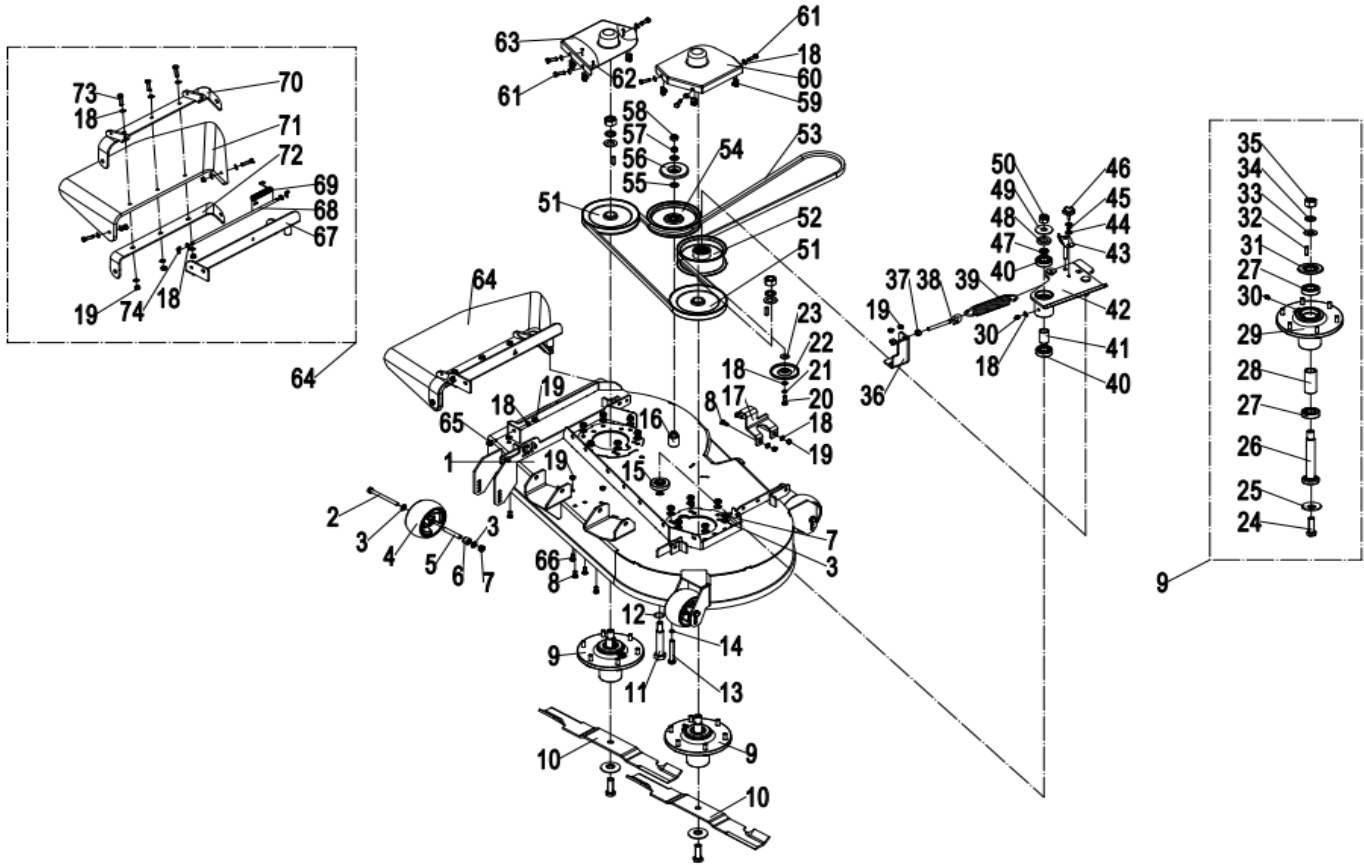
FUEL ASSEMBLY



FUEL ASSEMBLY

No.	Part number	Description	Spécification	Qty
1	DUPZT2080870-EPA	3.5gal Fuel tank		1
2	DUPZT2080590	Fuel Cap		1
3	DUPZT7150170	Hose Clamp-Spring		1
4	DUPZT2114630-EPA	1/4"Fuel Line		1
5	DUPZT7031004	Large Washer	Φ10	1
6	DUPZT7021004A	Hex Lock Nut	M10	1
7	DUPZT7150040	Hose Clamp-Spring		1
8	DUPZT2084180	Tube coupling		1
9	DUPZT7083445	Bushing-Fuel Tube		1
10	DUPZT7010847	Hex Bolt	M8×16	8
11	DUPZT7040802	Lock Washer	Φ8	8
12	DUPZT7030819	Washer	Φ8	8
13	DUPZT7260602	Hex Bolt	M6×12	4
14	DUPZT2080880	Rotational Shield		1
15	DUPZT7020505A	Lock Nut	M5	2
16	DUPZT5072860	Throttle box		1
17	DUPZT4030039	Console		1
18	DUPZT5072870	Choke Control		1
19	DUPZT7260507	Cross Recess Head Screw	M5×12	2

42" MOWER DECK ASSEMBLY



No.	Part number	Description	Spécification	Qty
1	DUPZT4241510-01	42" Mower Deck		1
2	DUPZT7011080	Hex Bolt	M10×110	3
3	DUPZT7031009	Washer	Φ10	18
4	DUPZT8011800	Anti-scalp Roller		3
5	DUPZT4240585	Spacer		3
6	DUPZT4262150-03	Spacer		3
7	DUPZT7021004A	Hex Lock Nut	M10	15
8	DUPZT7180812	Square Neck Bolt	M8×20	4
9	DUPZTB500636	Blade Spindle Assembly		2
10	DUPZT3011030	Blade		2
11	DUPZT4240021	Bolt		1
12	DUPZT7072010	O-ring		1
13	DUPZT7011203	Hex Bolt	M12×85	1
14	DUPZT7070005	O-ring		1
15	DUPZT4240018	Spacer		1
16	DUPZT4240017	Fixed tension axle		1
17	DUPZT4030048	Limit plate-L		1
18	DUPZT7030819	Washer	Φ8	22
19	DUPZT7020803A	Hex Lock Nut	M8	15

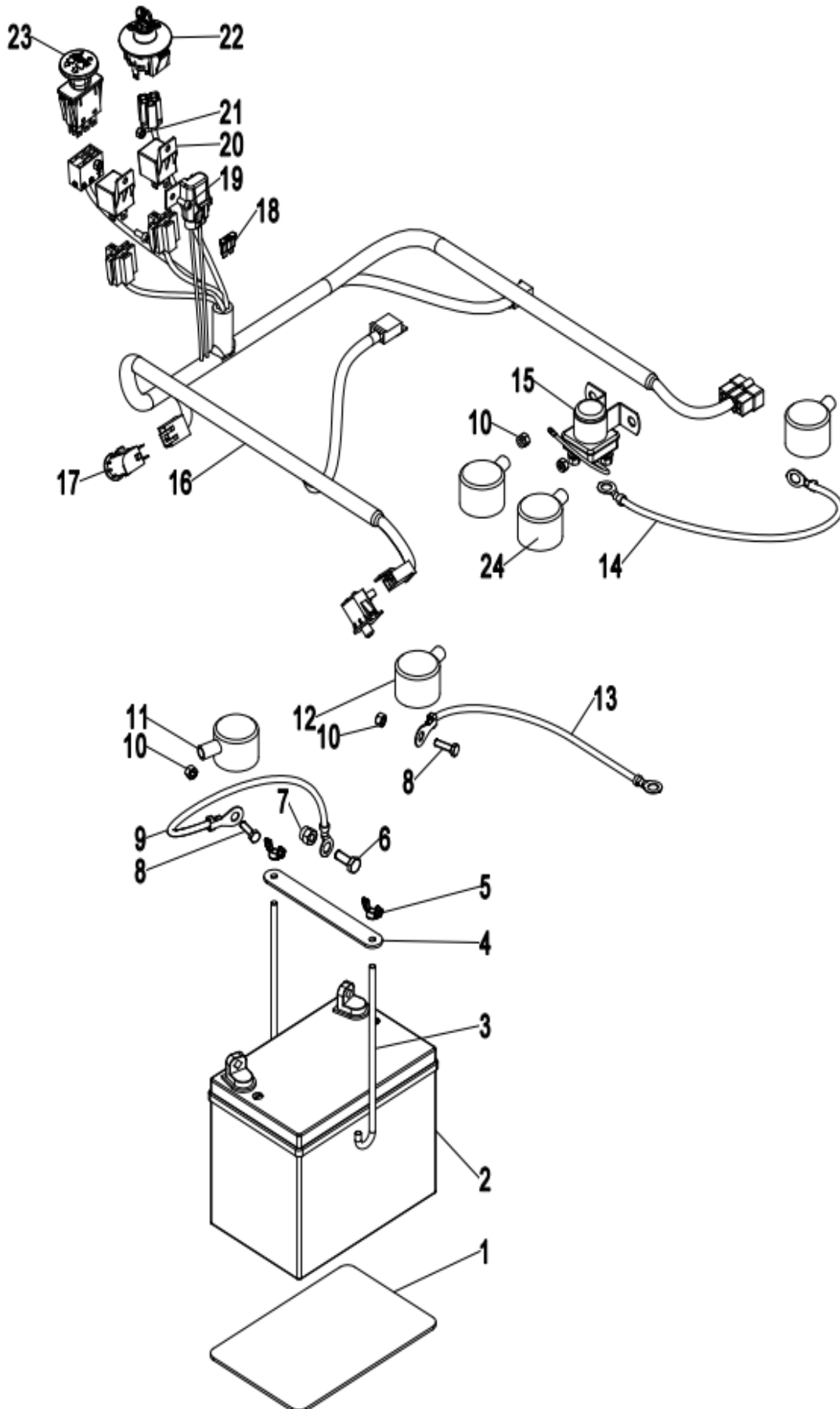
42" MOWER DECK ASSEMBLY

No.	Part number	Description	Spécification	Qty
20	DUPZT7010821	Hex Bolt	M8×25	1
21	DUPZT7040802	Lock Washer	Ø8	1
22	DUPZT4061205	Dust cover		1
23	DUPZT7030813	Big Washer	Ø8	1
24	DUPZT7011606	Hex Bolt	M16×1.5×50	2
25	DUPZT4152540	Plate		2
26	DUPZT1014040	Spindle Shaft		2
27	DUPZT7061232	Deep groove ball bearing	6205-DDU	4
28	DUPZT4120860	Bearing Spacer		2
29	DUPZT4070440	Spindle Housing		2
30	DUPZT7320020	Grease Zerk	M8×1	3
31	DUPZT4065201	Bearing Shield		2
32	DUPZT7110803	Square Key	8×7×30	2
33	DUPZT7032006	Washer	Ø20	2
34	DUPZT7042003	Lock Washer	Ø20	2
35	DUPZT7022004	Hex Nut	M20×1.5	2
36	DUPZT4241744	Spring fixed seat		1
37	DUPZT7021015	Hexagon flange nuts	M10	2
38	DUPZT7181005	Hook bolt	M10×70	1
39	DUPZT7059750	Idler Pulley Spring		1
40	DUPZT7060401	Deep groove ball bearing	6204	2
41	DUPZT4240022	Spacer		1
42	DUPZT4241741	Idler Arm-Mule Drive		1
43	DUPZT4220007	Anti detachment rod		1
44	DUPZT7030604	Big Washer	Ø6	2
45	DUPZT7040602	Lock Washer	Ø6	1
46	DUPZT5010608	Knob		1
47	DUPZT4241510-06	Spacer		1
48	DUPZT7220321	Felt Loop		1
49	DUPZT7031613	Big Washer	Ø16	1
50	DUPZT7021603	Hex Lock Nut	M16	1
51	DUPZT1041660	Pulley	B168	2
52	DUPZT1041711	Deck Mount		1
53	DUPZT1050125	Belt Bando B121		1
54	DUPZT1041690	Deck Mount		1
55	DUPZT7031221	Washer	Ø12	1
56	DUPZT4241745	Dust cover		1
57	DUPZT7021201	Hex Nut	M12	1
58	DUPZT7021204A	Hex Lock Nut	M12	1
59	DUPZT7020820	Type B leaf spring nut	M8	6
60	DUPZT4241510-08	Belt Guard LH		1
61	DUPZT7016560	Hex Bolt	M8×25	6
62	DUPZT7130204	pin		6

42" MOWER DECK ASSEMBLY

No.	Part number	Description	Spécification	Qty
63	DUPZT4241510-07	Belt Guard RH		1
64	DUPZTB000424-01	Discharge Rubber Guard Assembly		1
65	DUPZT7010820	Hex Flange Bolt	M8x20	1
66	DUPZT7010847	Hex Bolt	M8x16	5
67	DUPZT4301460	Mount Discharge Shield		1
68	DUPZT1014340	Connecting shaft		1
69	DUPZT7051015	Spring-Torsion		1
70	DUPZTB000424-01-01	Bending welding		1
71	DUPZT4065070	Rubber Guard		1
72	DUPZT4151730	Mount Plate/Lower		1
73	DUPZT7010893	Hex Bolt	M8x30	5
74	DUPZT7131806	D-pin		2

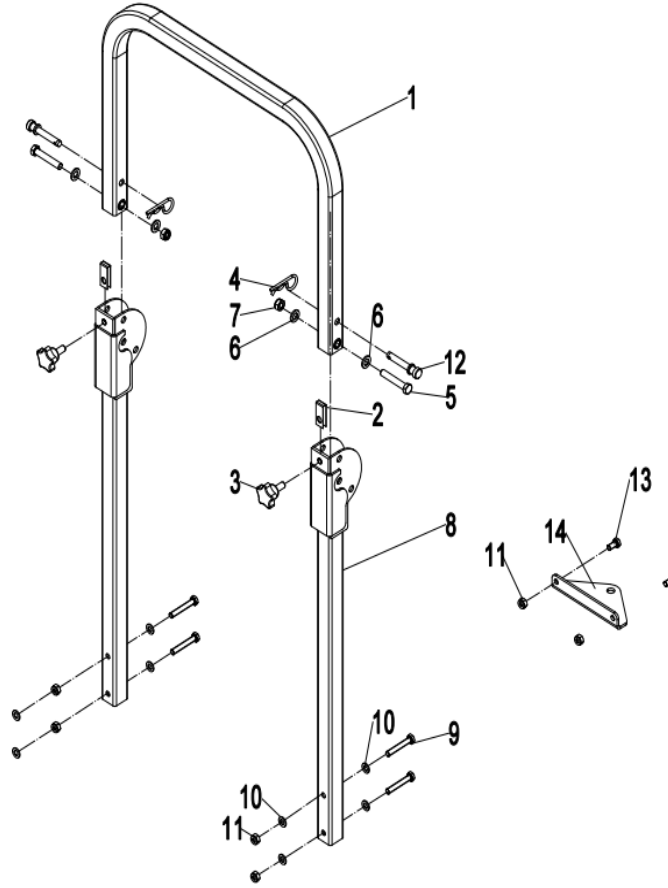
ELECTRICAL ASSEMBLY



ELECTRICAL ASSEMBLY

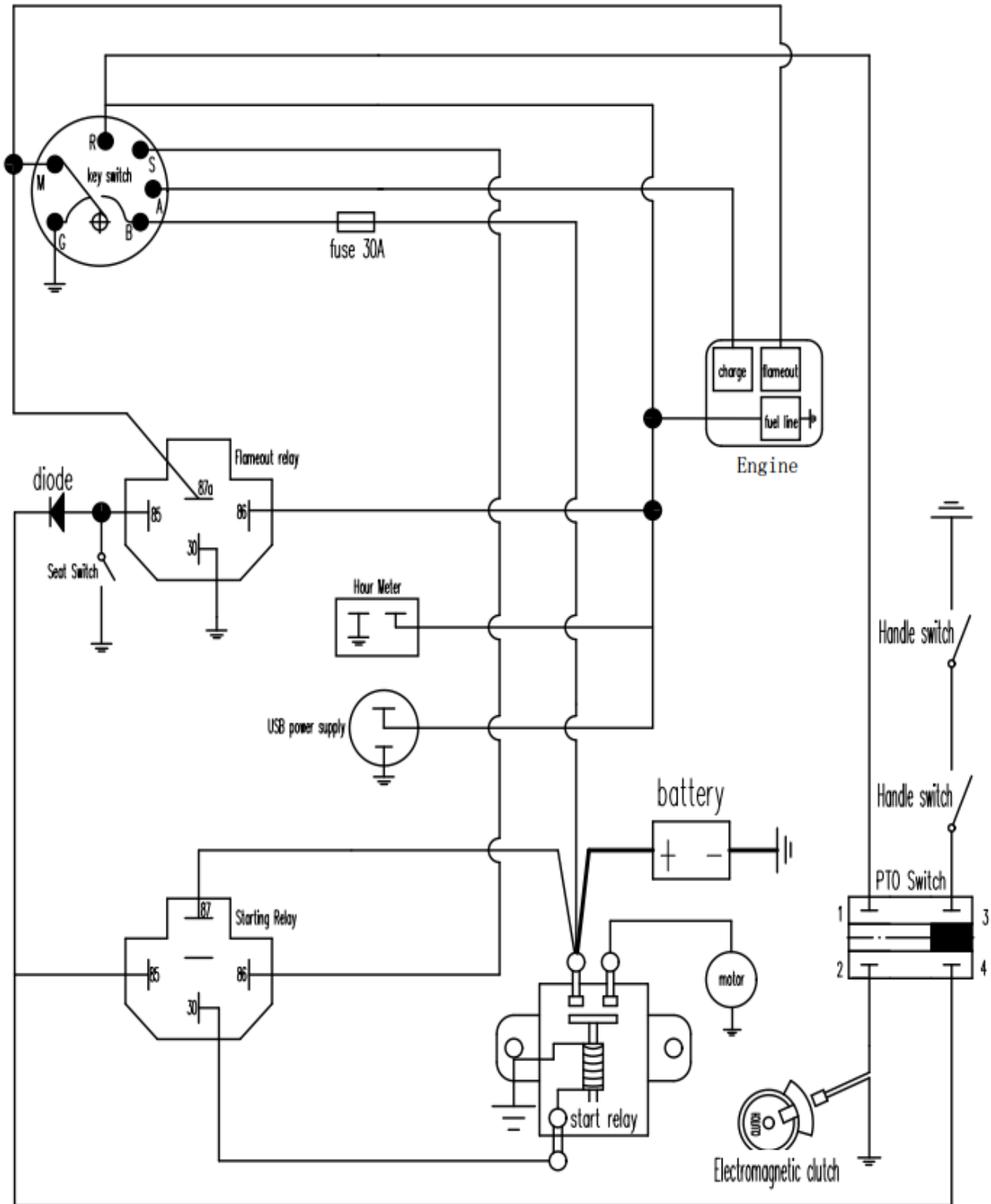
No.	Part number	Description	Spécification	Qty
1	DUPZT5041160	Battery cushion		1
2	DUPZT9070335	Battery		1
3	DUPZT4181281	Battery Hold Down Strap Rod		2
4	DUPZT4152270	Battery Hold Down Plate		1
5	DUPZT7020606	Wing Nut		2
6	DUPZT7010894	Hex Flange Bolt	M8x16	1
7	DUPZT7020803A	Hex Lock Nut	M8	1
8	DUPZT7010662	Hex Bolt	M6x16	2
9	DUPZT9053181	Battery negative wire harness		1
10	DUPZT7020602A	Hex Nut	M6	6
11	DUPZT6631001	Negative protection cap		1
12	DUPZT6631002	Cathode Protective Cap		1
13	DUPZT9053171	Positive wire harness		1
14	DUPZT9053191	Start the wiring harness		1
15	DUPZT9020280	Starting Relay		1
16	DUPZT9055121	Main Harness		1
17	DUPZT2401354	Switch		2
18	DUPZT9010484	Fuse	30A	1
19	DUPZT7260507	Cross Recess Head Screw	M5x12	2
20	DUPZT9021001	Relay		2
21	DUPZT7020505A	Hex Lock Nut	M5	2
22	DUPZTAES-1311-53A	Ignition Switch		1
23	DUPZT9010548	PTO Clutch Switch		1
24	DUPZT6631003	Power cord protection cap		3

ACCESSORIES



No.	Part number	Description	Spécification	Qty
1	DUPZT4260842	U-Shape Bar		1
2	DUPZT4162520	Spring Cushion		2
3	DUPZT5013230	Knob		2
4	DUPZT7133130	Cotter Pin		2
5	DUPZT7011251	Hex Bolt	M12×70	2
6	DUPZT7031221	Washer	Φ12	4
7	DUPZT7021204A	Hex Lock Nut	M12	2
8	DUPZT4260843	Arm		2
9	DUPZT7011065	Hex Bolt	M10×65	4
10	DUPZT7031009	Washer	Φ10	8
11	DUPZT7021004A	Hex Lock Nut	M10	6
12	DUPZT7133221	Shaft		2
13	DUPZT7011092	Hex Bolt	M10×20	2
14	DUPZT5090910	Tow Hook Plate		1

ELECTRICAL DIAGRAM



1. Key switch schematic diagram

off: M+G+A
 RUN: R+B+A
 START: S+B+R

2. PTO switch schematic diagram

press down: 3and4 Conduction, 1and2 break;
 pull up: 1and2 Conduction, 3and4 break.