

LITTLE BEAVER

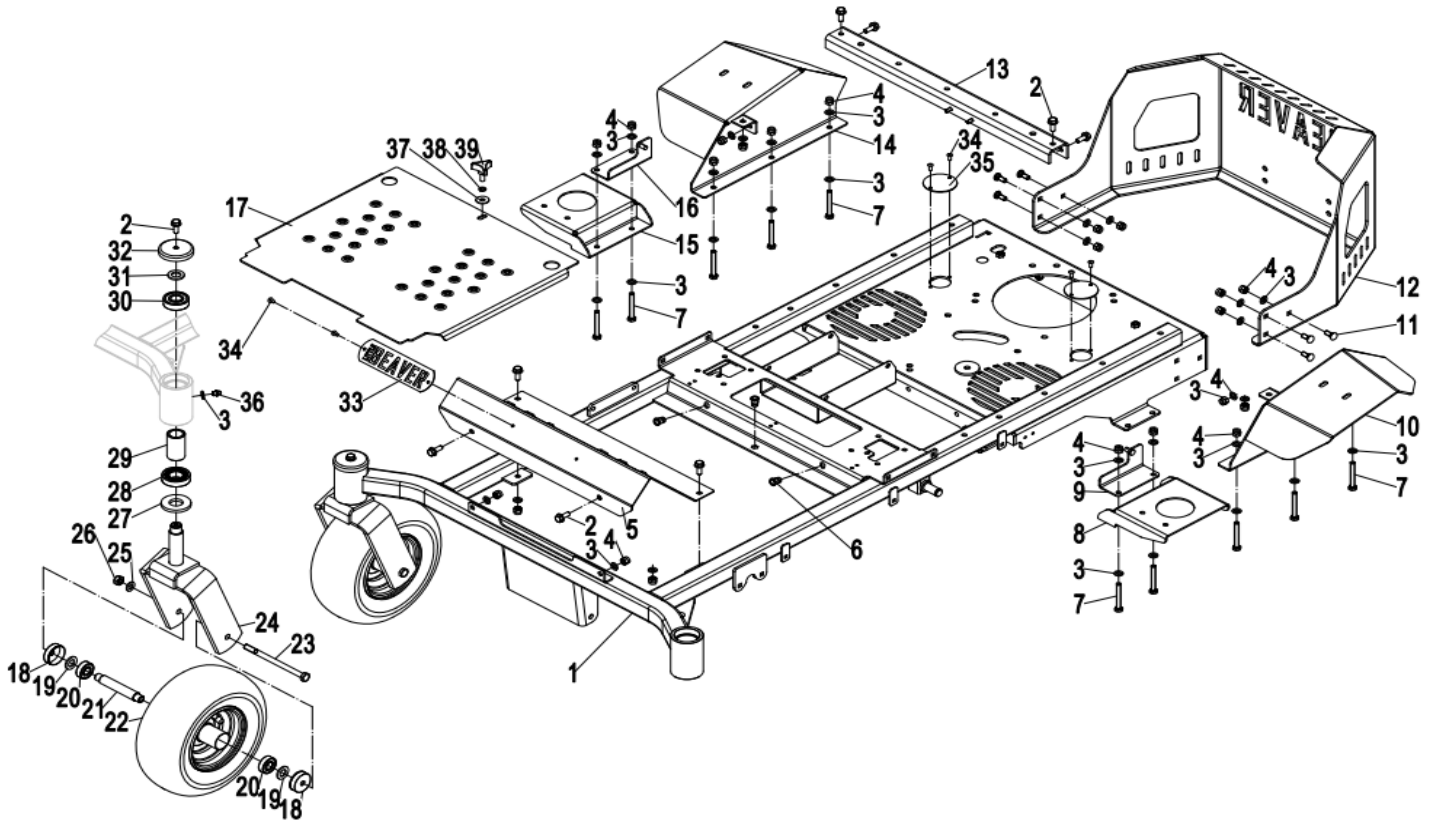
Equipment parts manual

Model : DUEZT2242-SDT2200
Zero-turn mower



Picture may not reflect the exact model

CHASSIS ASSEMBLY

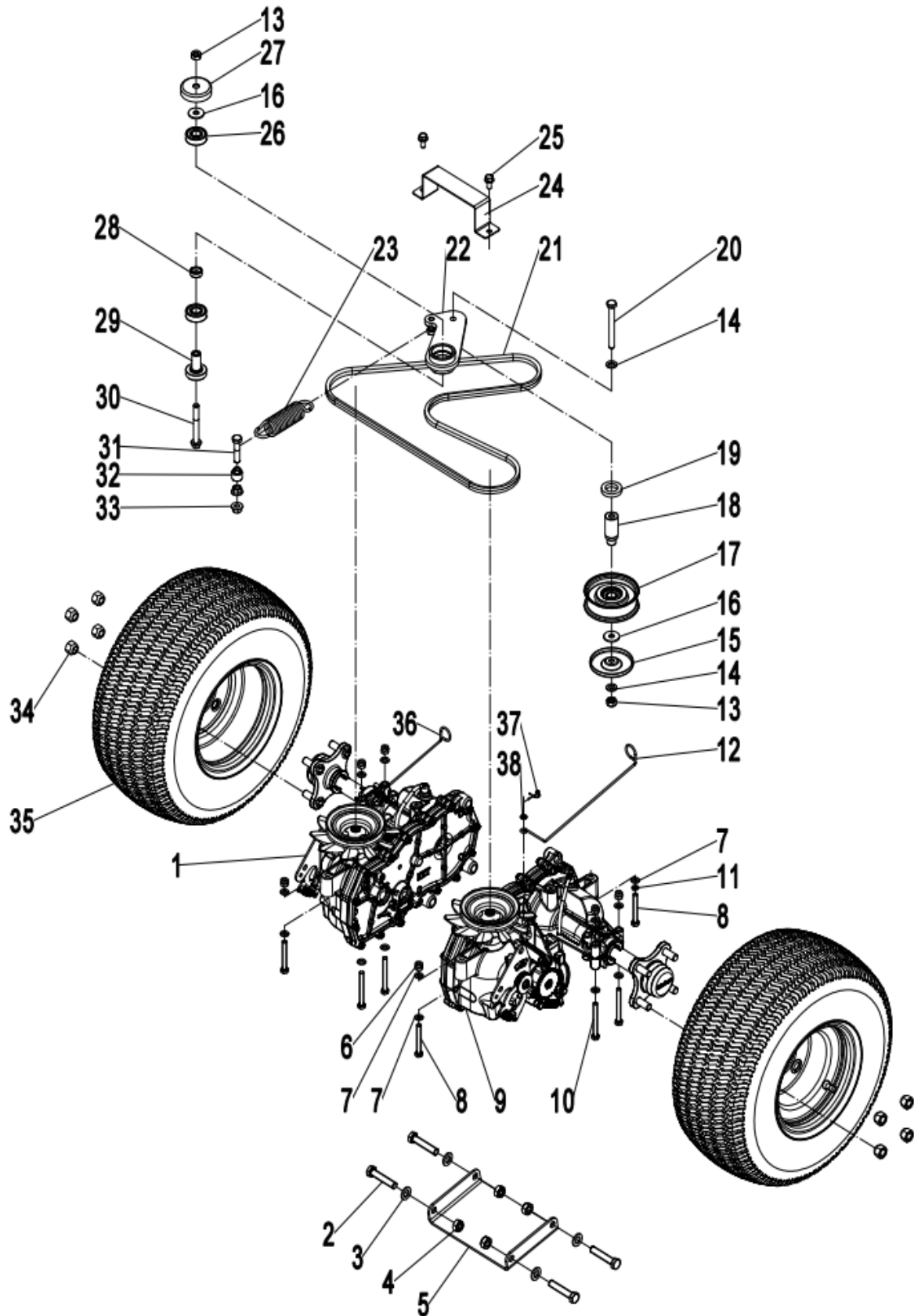


No.	Part number	Description	Specification	Qty
1	DUPZT4039930	Chassis		1
2	DUPZT7010820	Hex Flange Bolt	M8×20	10
3	DUPZT7030819	Washer	Φ8	34
4	DUPZT7020803A	Hex Lock Nut	M8	24
5	DUPZT4034962	Front Tread Footrest		1
6	DUPZT7020901	Rivet Nut	M8×18	3
7	DUPZT7010807	Hex Bolt	M8×60	10
8	DUPZT4034968	Mounting bracket		1
9	DUPZT4034969	Damper bracket,LH		1
10	DUPZT4034967	Shield Tire,LH		1
11	DUPZT7180812	Square neck bolt	M8×20	6
12	DUPZT4561170	Shield Rear		1
13	DUPZT4034965	Spring Mounting bracket		1
14	DUPZT4034966	Shield Tire,RH		1
15	DUPZT4034964	Mounting bracket		1
16	DUPZT4034963	Damper bracket,RH		1

CHASSIS ASSEMBLY

No.	Part number	Description	Specification	Qty
17	DUPZT4034951	Tread Footrest		1
18	DUPZT4060096	Dust Cap		4
19	DUPZT7031401	Washer	Φ14	4
20	DUPZT7060201	Ball Bearing	6202	4
21	DUPZT7085420	Spacer		2
22	DUPZT8031145	Caster Wheel		2
23	DUPZT7011155	Hex Bolt	M10×150	2
24	DUPZT4034983	Caster Wheel Fork		2
25	DUPZT7031009	Washer	Φ10	2
26	DUPZT7021013	Hex Lock Nut	M10	2
27	DUPZT4012953	Bearing gasket		2
28	DUPZT7061234	Roller Bearing	30205	2
29	DUPZT4034984	Spacer		2
30	DUPZT7060401	Ball Bearing	6204	2
31	DUPZT7031602	Washer	Φ16	2
32	DUPZT2131951	Dust Cap		2
33	DUPZT6060215	Model Number		1
34	DUPZT7030413	Rivet		6
35	DUPZT4561120	Plate		2
36	DUPZT7320020	Grease Zerk	M8×1	2
37	DUPZT7030813	Large Washer	Φ8	1
38	DUPZT7040802	Lock Washer	Φ8	1
39	DUPZT4011930	Knob		1

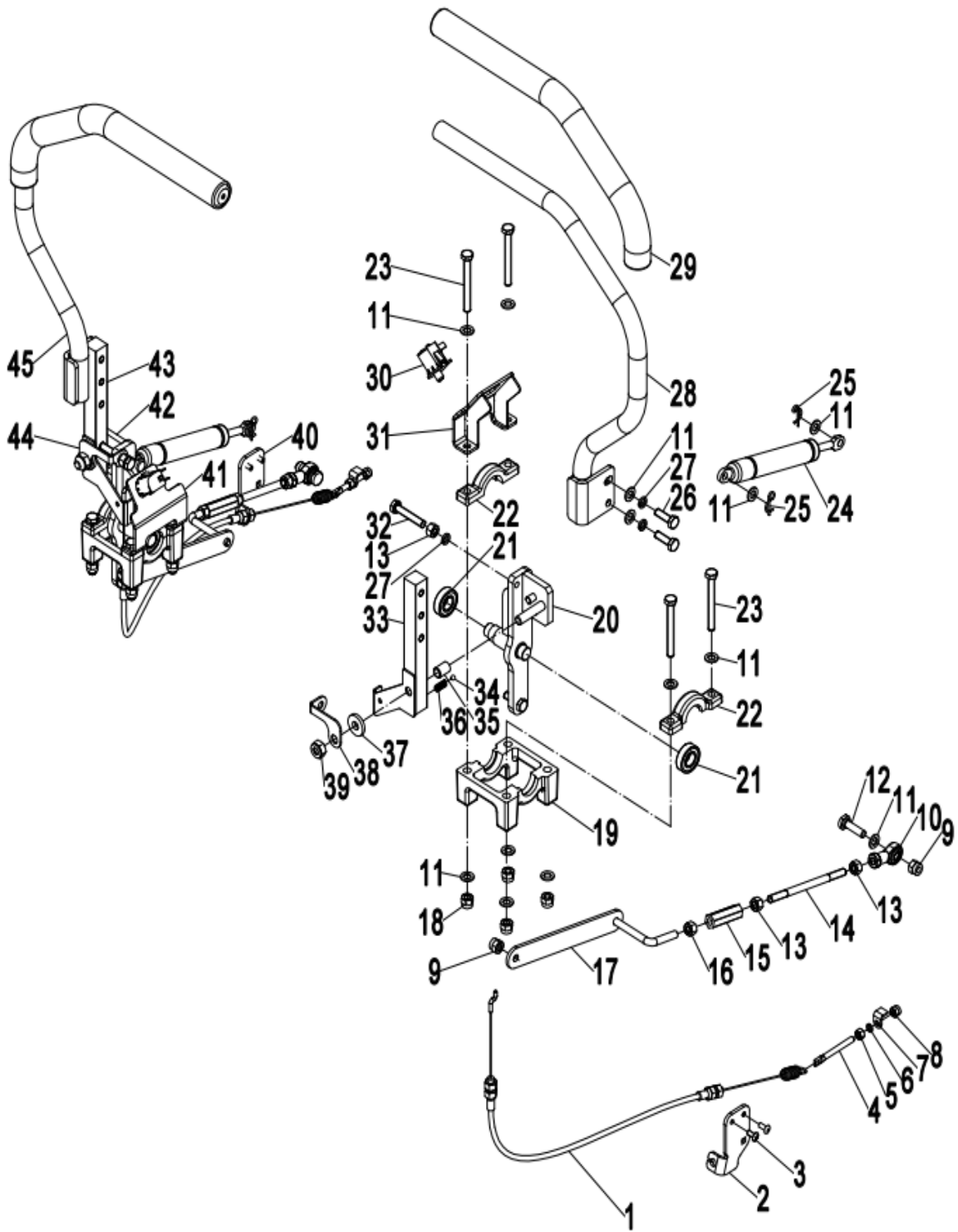
HYDROSTATIC TRANSAXLE/WHEEL ASSEMBLY



HYDROSTATIC TRANSAXLE/WHEEL ASSEMBLY

No.	Part number	Description	Specification	Qty
1	DUPZTZC-AUBB-4MEB-2PPX	Hydrostatic Transaxle , Rt	EZT	1
2	DUPZT7011240	Hex Bolt	M12×60	4
3	DUPZT7031221	Washer	Φ12	4
4	DUPZT7021204A	Hex Lock Nut	M12	4
5	DUPZT4052230	Transaxle Plate		1
6	DUPZT7020803	Hex Lock Nut	M8	6
7	DUPZT7030819	Washer	Φ8	14
8	DUPZT7010807	Hex Bolt	M8×60	2
9	DUPZTZC-DUBB-4MEC-3PPX	Hydrostatic Transaxle ,Lt	EZT	1
10	DUPZT7010899	Hex Bolt	M8×75	4
11	DUPZT7040802	Lock Washer	Φ8	2
12	DUPZT4045990	Left tendril		1
13	DUPZT7021004	Hex Lock Nut	M10	2
14	DUPZT7031009	Washer	Φ10	2
15	DUPZT4061205	Dust cover		1
16	DUPZT7031004	Large washer	Φ10	2
17	DUPZT1041300	Idler Pulley	Φ105	1
18	DUPZT1010003	Pulley Shaft		1
19	DUPZT7220321	Felt Loop		1
20	DUPZT7011094	Hex Bolt	M10×90	1
21	DUPZT1051180	Belt Bando A61		1
22	DUPZT4060421	Idler Pulley Arm		1
23	DUPZT7059600	Extension Spring		1
24	DUPZT4561140	Tension pulley guard		1
25	DUPZT7010894	Hex Flange Bolt	M8×16	2
26	DUPZT7061224	Ball Bearing	6203	2
27	DUPZT4065160	Dust cover		1
28	DUPZT7085380	Spacer		1
29	DUPZT1014450	Shaft I		1
30	DUPZT7011123	Hex Flange Bolt	M10×80-10.9	1
31	DUPZT7241054	Hex Flange Bolt	M10×55	1
32	DUPZT4010028	Spacer		1
33	DUPZT7021018	Hex Flange Nut	M10	2
34	DUPZT7010072A	Inch Wheel Hub Nut	1/2-20 UNF-2B	8
35	DUPZT8031885	Tire		2
36	DUPZT4045980	Right tendril		1
37	DUPZT7131806	D-Pin		2
38	DUPZT7030601	Washer	Φ6	2

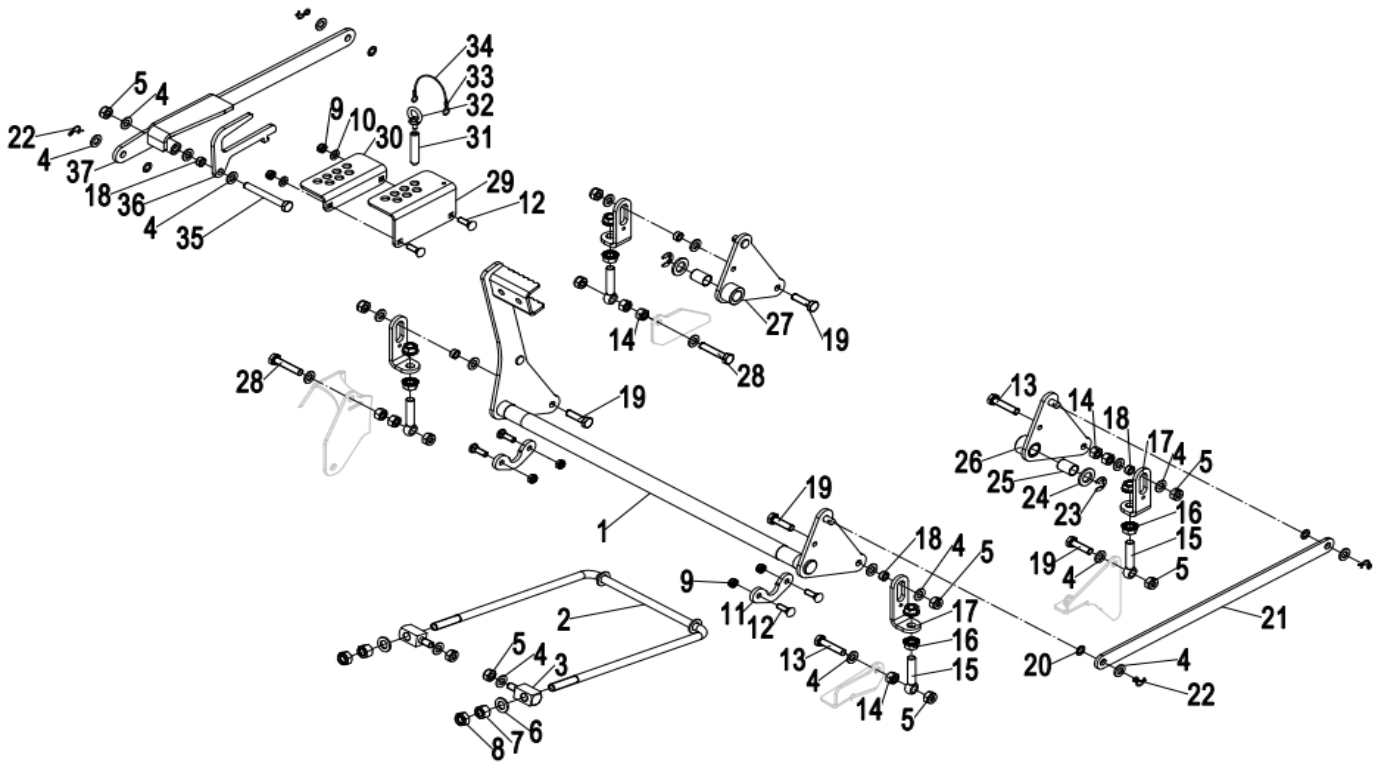
STEERING & PARKING BRAKE ASSEMBLY



STEERING & PARKING BRAKE ASSEMBLY

No.	Part number	Description	Specification	Qty
1	DUPZT5072850	Brake Cable		2
2	DUPZT4260001	Cable Mount Bracket/LH		1
3	DUPZT7030413	Rivet		4
4	DUPZT7282006	Screw M6		2
5	DUPZT7020604	Hex Nut	M6	2
6	DUPZT7040602	Lock Washer	Φ6	2
7	DUPZT4163470	L-Spacer		2
8	DUPZT7020602A	Hex Lock Nut	M6	2
9	DUPZT7020803A	Hex Lock Nut	M8	4
10	DUPZT7121004	Joint Bearing Rod End		2
11	DUPZT7030819	Washer	Φ8	26
12	DUPZT7181630	Axle Pin		2
13	DUPZT7020804	Hex Nut	M8	10
14	DUPZT7292008	Screw M8		2
15	DUPZT7292009	Neutral Buckle M8		2
16	DUPZT7020860	Hex Nut	M8-L	2
17	DUPZT4021590	Control Link		2
18	DUPZT7020803	Hex Lock Nut	M8	8
19	DUPZT4133431	Bearing Pedestal		2
20	DUPZT4269810	Motion Pivot/LH		1
21	DUPZT7060014	Ball Bearing	6002	4
22	DUPZT4163010	Bearing Cap		4
23	DUPZT7010880	Hex Bolt	M8×70	8
24	DUPZT2020450	Damper		2
25	DUPZT7131806	D-Pin		4
26	DUPZT7010821	Hex Bolt	M8×25	4
27	DUPZT7040802	Lock Washer	Φ8	6
28	DUPZT4034971	Steering Handle LH		1
29	DUPZT5010025	Handle Grip-Foam		2
30	DUPZT2401354	Switch		2
31	DUPZT4130008	Left mounting plate		1
32	DUPZT7010826	Hex Bolt	M8×45	6
33	DUPZT4300001	Control Arm/LH		1
34	DUPZT5060601	Ball	Φ6	2
35	DUPZT7083810	Bearing w/Flange		2
36	DUPZT7057560	Operating Stop Spring		2
37	DUPZT7083540	Plastic Washer		2
38	DUPZT4165740	Lock Washer /LH		1
39	DUPZT7021004A	Hex Lock Nut	M10	2
40	DUPZT4260002	Cable Mount Bracket/RH		1
41	DUPZT4130009	Right mounting plate		1
42	DUPZT4269820	Motion Pivot/RH		1
43	DUPZT4300002	Control Arm/RH		1
44	DUPZT4165750	Lock Washer /LH		1
45	DUPZT4034972	Steering Handle RH		1

DECK CARRIER ASSEMBLY

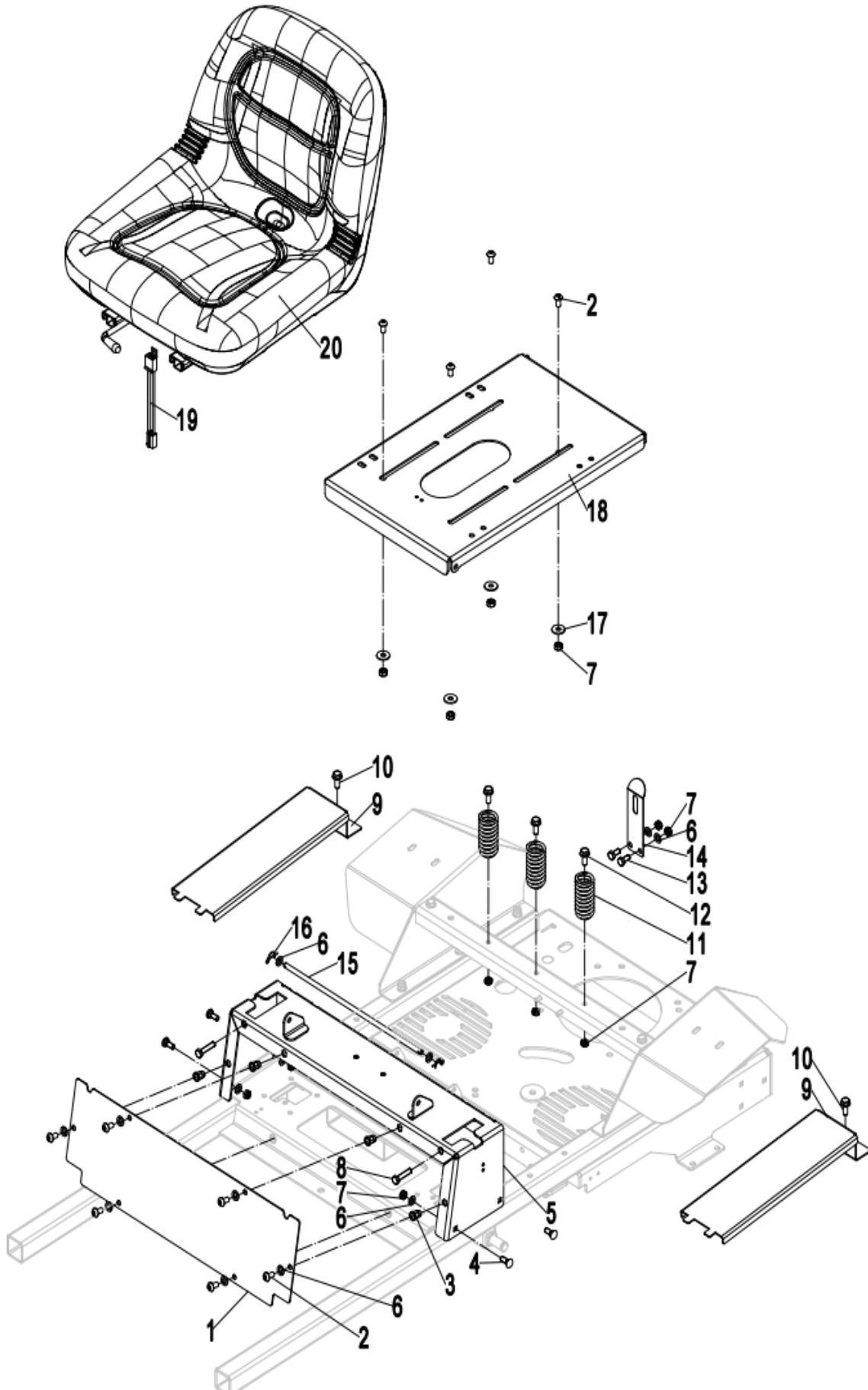


No.	Part number	Description	Spécification	Qty
1	DUPZT4034976	Lift Lever		1
2	DUPZT4034982	Link Suspension		1
3	DUPZT4034981	Trunnion		2
4	DUPZT7031009	Washer	Φ10	20
5	DUPZT7021004A	Hex Lock Nut	M10	11
6	DUPZT7031221	Washer	Φ12	2
7	DUPZT7021201	Hex Nut	M12	2
8	DUPZT7021204A	Hex Lock Nut	M12	2
9	DUPZT7020803A	Hex Lock Nut	M8	6
10	DUPZT7030819	Washer	Φ8	2
11	DUPZT4034977	Clamp Plate		2
12	DUPZT7180818	Square neck bolt	M8×25	6
13	DUPZT7011063	Hex Bolt	M10×45	2
14	DUPZT7021012	Hex Nut	M10	7
15	DUPZT7291212	Joint Bolt	M12×60	4
16	DUPZT7021242	Hexagonal lock nut	M12	8

DECK CARRIER ASSEMBLY

No.	Part number	Description	Spécification	Qty
17	DUPZT4030065	CUTTERHEAD Lug		4
18	DUPZT4030036	Spacer		5
19	DUPZT7011019	Hex Bolt	M10×35	4
20	DUPZT7031032	Nylon washer		4
21	DUPZT4058350	Pendulum link-Left		1
22	DUPZT7131806	D-Pin		4
23	DUPZT7141203	Snap Ring		2
24	DUPZT7031602	Washer	Φ16	2
25	DUPZT7121800	Self-lubricating bearing		2
26	DUPZT4034995	Pendulum-Left		1
27	DUPZT4034994	Pendulum-Right		1
28	DUPZT7011023	Hex Bolt	M10×50	2
29	DUPZT4046490	Cut Height Plate,Up		1
30	DUPZT4046500	Cut Height Plate,Down		1
31	DUPZT4046100	Pin shaft		1
32	DUPZT1035104	Eyebolt		1
33	DUPZT7084410	Aluminum sleeve	2.2×4.4×7	2
34	DUPZT4170165	Wire rope		1
35	DUPZT7011052	Hex Bolt	M10×80	1
36	DUPZT4058193	Adjust the limit plate		1
37	DUPZT4058340	Pendulum link-Right		1

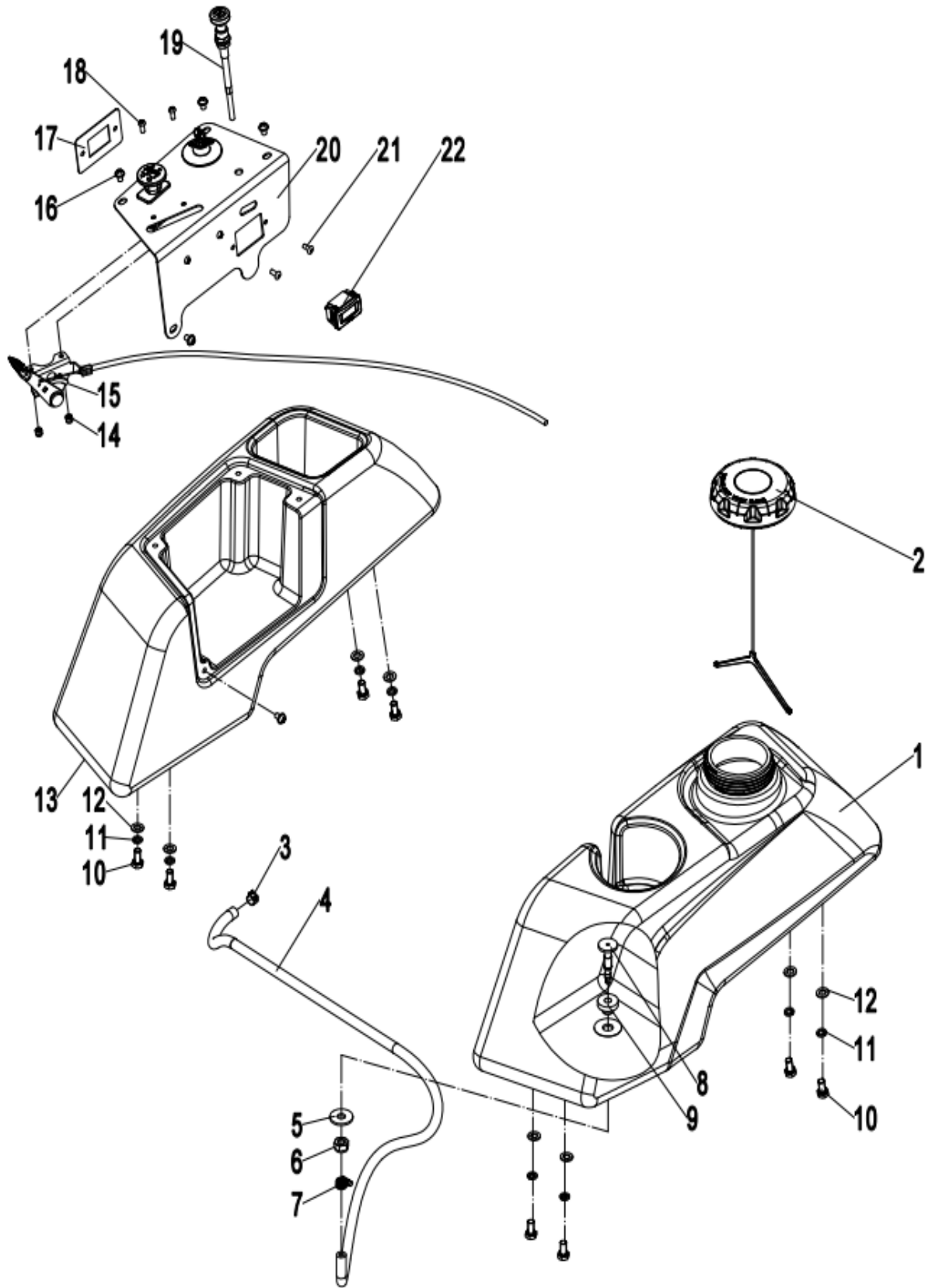
SEAT ASSEMBLY



SEAT ASSEMBLY

No.	Part number	Description	Spécification	Qty
1	DUPZT4030025	Shied		1
2	DUPZT7240999	Button Head Bolt	M8×16	10
3	DUPZT7020901	Rivet Nut	M8×18	4
4	DUPZT7180812	Square Neck Bolt	M8×20	4
5	DUPZT4034973	Seat Fender		1
6	DUPZT7030819	Washer	Ø8	14
7	DUPZT7020803A	Hex Lock Nut	M8	13
8	DUPZT7010837	Hex Bolt	M8×35	2
9	DUPZT4561150	connecting plate		2
10	DUPZT7010894	Hex Flange Bolt	M8×16	2
11	DUPZT7059381	Seat Spring		3
12	DUPZT7010820	Hex Flange Bolt	M8×20	3
13	DUPZT7010847	Hex Bolt	M8×16	2
14	DUPZT4034724	Seat Latch		1
15	DUPZT1014340	Connecting shaft		1
16	DUPZT7131806	D-Pin		2
17	DUPZT7030813	Large Washer	Ø8	4
18	DUPZT4034723	Seat Pan		1
19	DUPZT9055625	Seat Line		1
20	DUPZTYY62-D08-H02	Seat		1

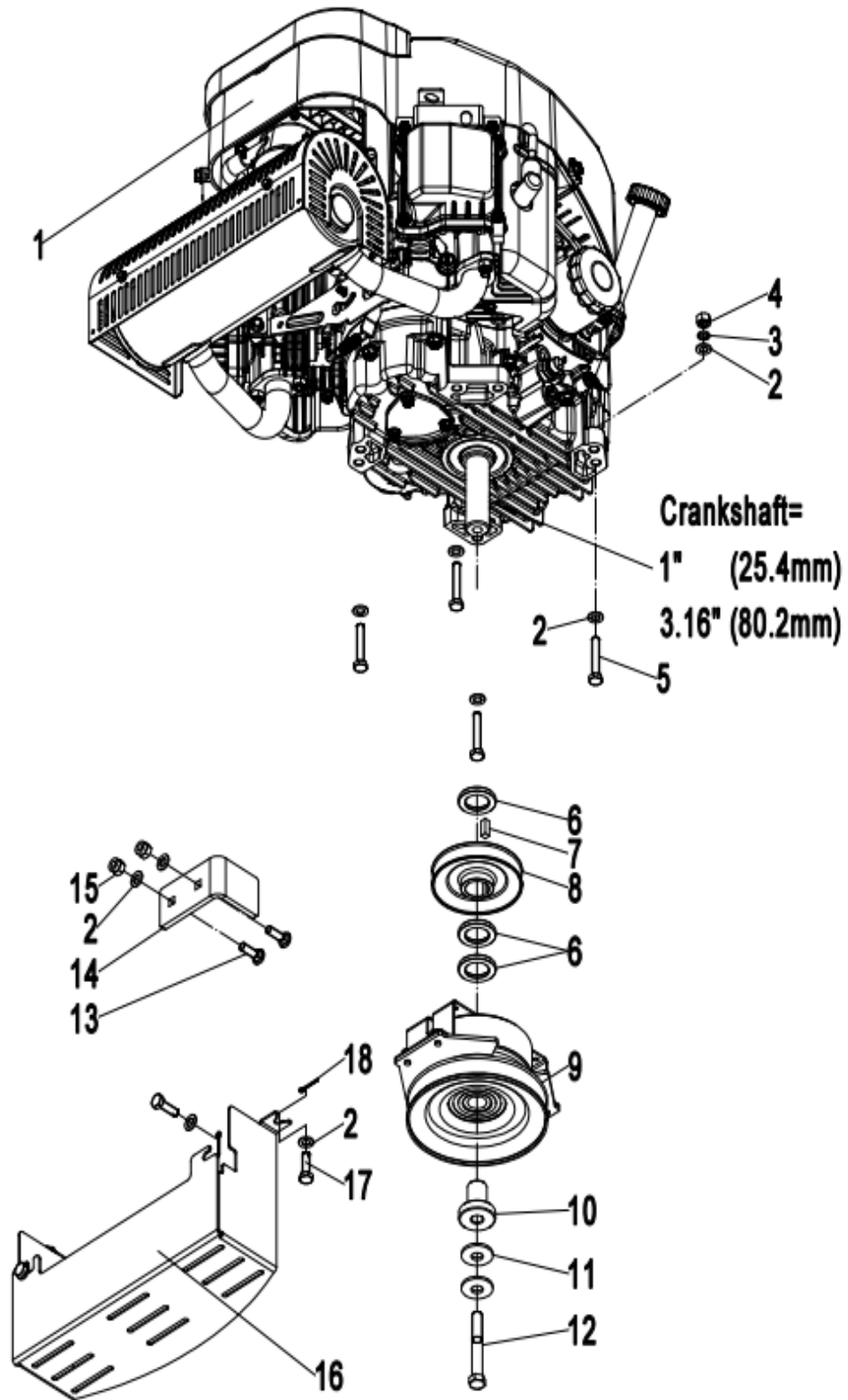
FUEL TANK ASSEMBLY



FUEL TANK ASSEMBLY

No.	Part number	Description	Spécification	Qty
1	DUPZT2080870-EPA	3.5gal Fuel tank		1
2	DUPZT2080590	Fuel Cap		1
3	DUPZT7150170	Hose Clamp-Spring		1
4	DUPZT2114630-EPA	1/4" Fuel Line		1
5	DUPZT7031004	Large Washer	Φ10	1
6	DUPZT7021004A	Hex Lock Nut	M10	1
7	DUPZT7150040	Hose Clamp-Spring		1
8	DUPZT2084180	Tube coupling		1
9	DUPZT7083445	Bushing-Fuel Tube		1
10	DUPZT7010847	Hex Bolt	M8×16	8
11	DUPZT7040802	Lock Washer	Φ8	8
12	DUPZT7030819	Washer	Φ8	8
13	DUPZT2080880	Plastic Fender		1
14	DUPZT7020505A	Hex Lock Nut	M5	2
15	DUPZT5072860	Cable-Throttle		1
16	DUPZT7260602	Cross Recess Head Screw	M6×12	4
17	DUPZT6061003	Hour meter installation panel		1
18	DUPZT7260507	Screw	M5×12	2
19	DUPZT5072870	Cable-Choke		1
20	DUPZT6063702	Control Panel		1
21	DUPZT7030413	Rivet		2
22	DUPZT6631006	Hour Meter		1

ENGINE ASSEMBLY

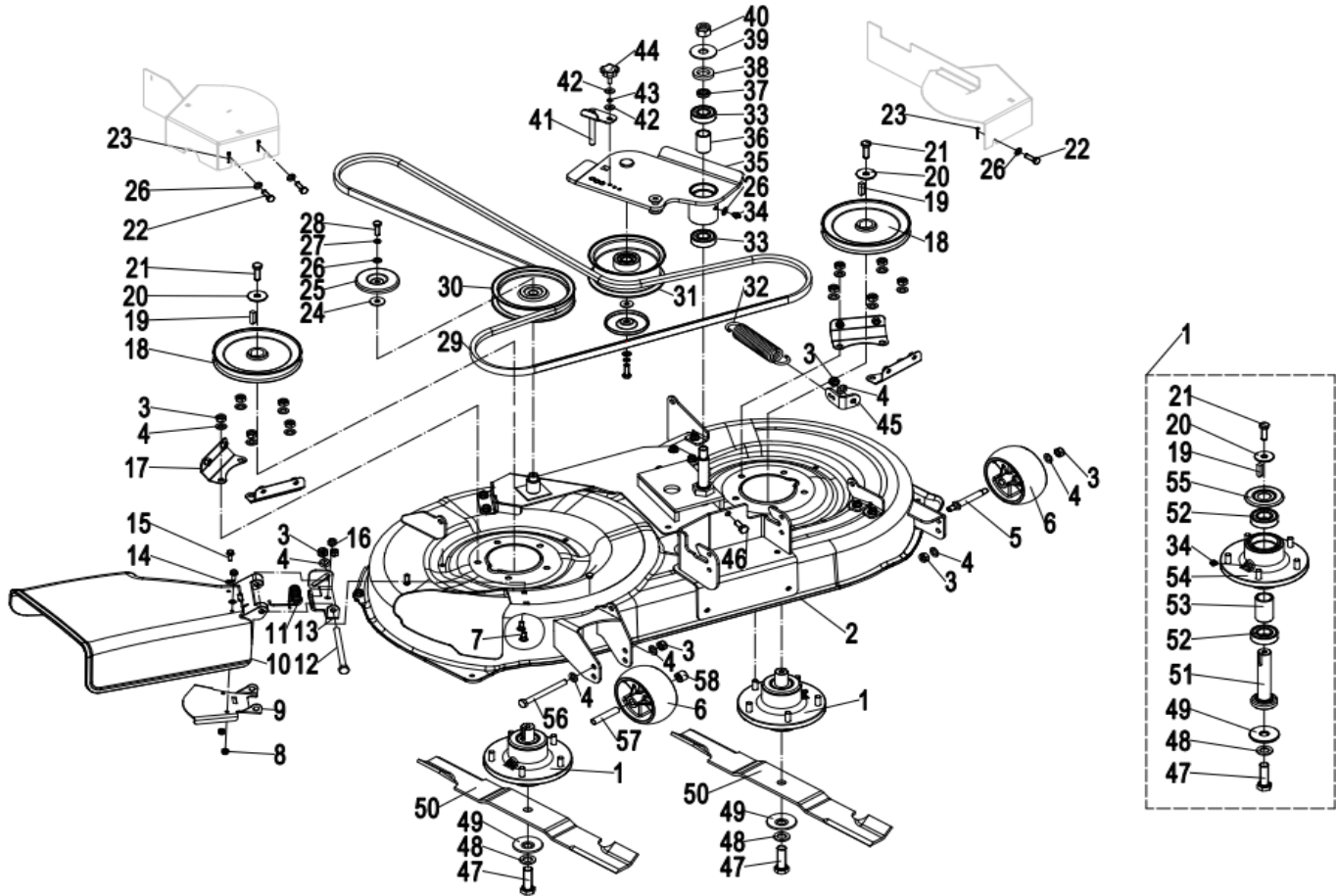


42" Mower

ENGINE ASSEMBLY

No.	Part number	Description	Spécification	Qty
1	DUPZTLC2P77F-L1995	LONCIN ENGINE	LC2P77F	1
2	DUPZT7030819	Washer	Ø8	14
3	DUPZT7040802	Lock Washer	Ø8	4
4	DUPZT7020804	Hex Nut	M8	4
5	DUPZT7010814	Hex Bolt	M8×40	4
6	DUPZT4124390	Spacer		3
7	DUPZT7110610A	Key	6.35×6.35×25	1
8	DUPZT1041880	A97 Pulley		1
9	DUPZT7101430	Electromagnetic PTO Clutch		1
10	DUPZT4124400	Clutch Sleeve		1
11	DUPZT4071060	Clutch Plate		2
12	DUPZT7010075A	Inch Bolt	7/16-20×3	1
13	DUPZT7180818	Square Neck Bolt	M8×25	2
14	DUPZT4221321	Clutch Plate		1
15	DUPZT7020803A	Hex Lock Nut	M8	1
16	DUPZT4561160	Belt pulley guard		1
17	DUPZT7016560	Hex Bolt	M8×25	4
18	DUPZT7130204	Pin		4

42" MOWER DECK ASSEMBLY

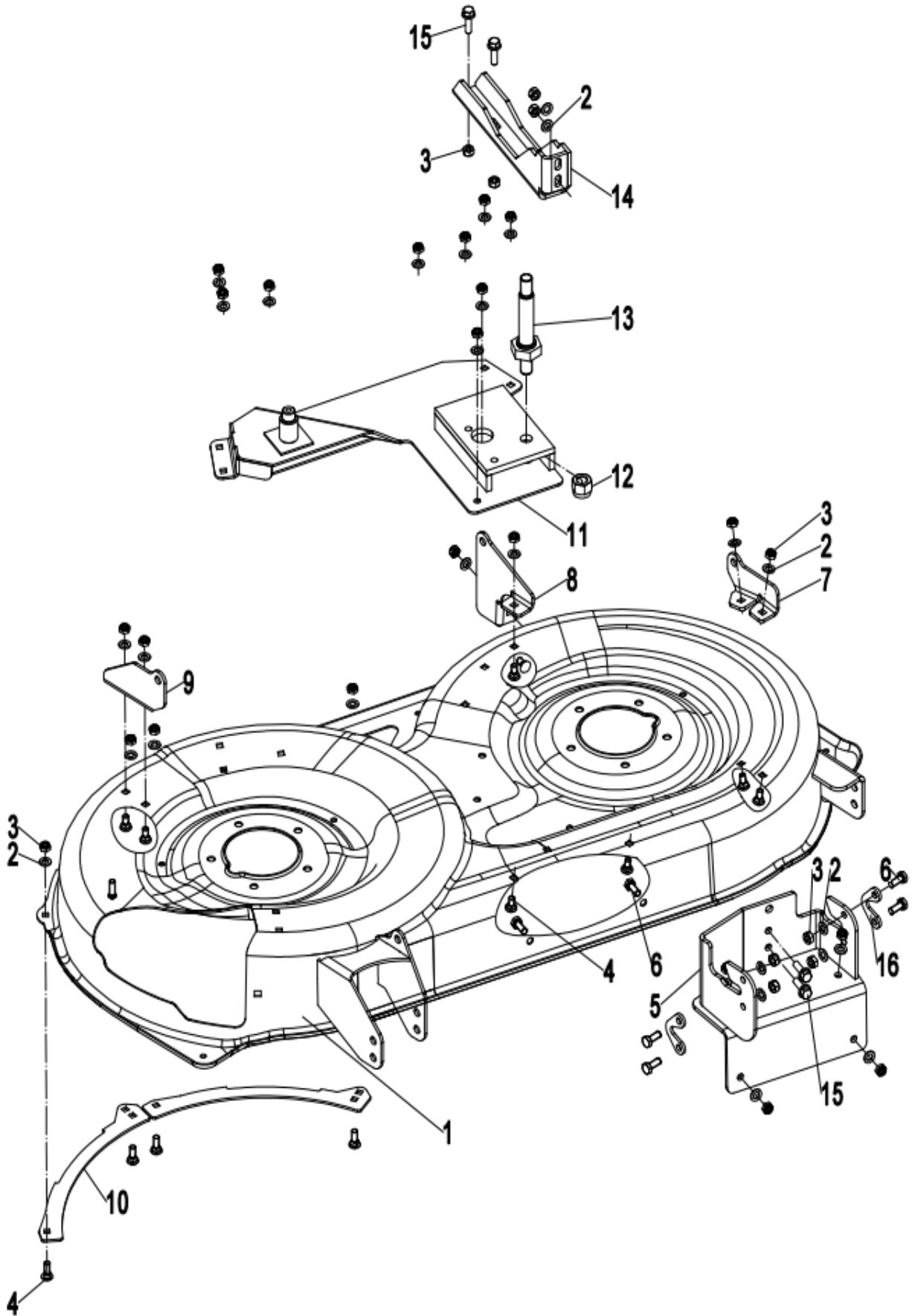


No.	Part number	Description	Spécification	Qty
1	DUPZT4066880	Blade Spindle Assembly		2
2	DUPZT3050027	42 Inch Deck Assembly		1
3	DUPZT7021004A	Hex Lock Nut	M10	15
4	DUPZT7031009	Washer	Φ10	16
5	DUPZT1010005	Anti-scalp Roller Shaft		2
6	DUPZT8011800	Anti-scalp Roller		2
7	DUPZT7180817	Square Neck Bolt	M8×16	2
8	DUPZT7020602A	Hex Lock Nut	M6	2
9	DUPZT4052610	Mount Plate/Lower		1
10	DUPZT4091270	Deflector-Discharge		1
11	DUPZT7051518	Spring-Torsion		1
12	DUPZT7011155	Hex Bolt	M10×150	1
13	DUPZT4052600	Mount Discharge Shield		1
14	DUPZT7030601	Washer	Φ6	2
15	DUPZT7010662	Hex Bolt	M6×16	2
16	DUPZT7020803A	Hex Lock Nut	M8	2
17	DUPZT4066870	Mount Bracket		4
18	DUPZT1041660	Pulley		2
19	DUPZT7110803	Square Key	8×7×30	2

42" MOWER DECK ASSEMBLY

No.	Part number	Description	Spécification	Qty
20	DUPZT4151810	Plate		2
21	DUPZT7011095	Hex Bolt	M10×30	2
22	DUPZT7016560	Hex Bolt	M8×25	6
23	DUPZT7130204	Pin		6
24	DUPZT7030813	Big Washer	Φ 8	2
25	DUPZT4061205	Dust Cover		2
26	DUPZT7030819	Washer	Φ 8	8
27	DUPZT7040802	Lock Washer	Φ 8	2
28	DUPZT7010821	Hex Bolt	M8×25	2
29	DUPZT1051001	B116 Belt		1
30	DUPZT1041690	Idler Pulley Assembly		1
31	DUPZT1041711	Idler Pulley Assembly		1
32	DUPZT7059750	Idler Pulley Spring		1
33	DUPZT7060401	Deep Groove Ball Bearing	6204	2
34	DUPZT7320020	Grease Zerk	M8×1	3
35	DUPZT4241729	Idler Pulley Arm		1
36	DUPZT4240022	Spacer		1
37	DUPZT4241510-06	Spacer		1
38	DUPZT7220321	Felt Loop		1
39	DUPZT4163210	Gasket		1
40	DUPZT7021603	Hex Lock Nut	M16	1
41	DUPZT4300004	anti-fall rod		1
42	DUPZT7030604	Big Washer	Φ6	2
43	DUPZT7040602	Lock Washer	Φ6	1
44	DUPZT5010608	Knob, Wing Studded		1
45	DUPZT4034722	Plate		1
46	DUPZT7011098	Hex Flange Bolt	M10×25	1
47	DUPZT7011606	Hex Bolt	M16×1.5×50	2
48	DUPZT7031602	Washer	Φ16	2
49	DUPZT4152540	Elastic platen		2
50	DUPZT3011030	543 Blade		2
51	DUPZT1013800	Spindle Shaft		2
52	DUPZT7061232	Deep Groove Ball Bearing	6205-DDU	4
53	DUPZT4123960	Bearing Spacer		2
54	DUPZT4070590	Spindle Housing		2
55	DUPZT4065201	Bearing Shield		2
56	DUPZT7011080	Hex Bolt	M10×110	1
57	DUPZT4240585	Spacer		1
58	DUPZT4262150-03	Spacer		1

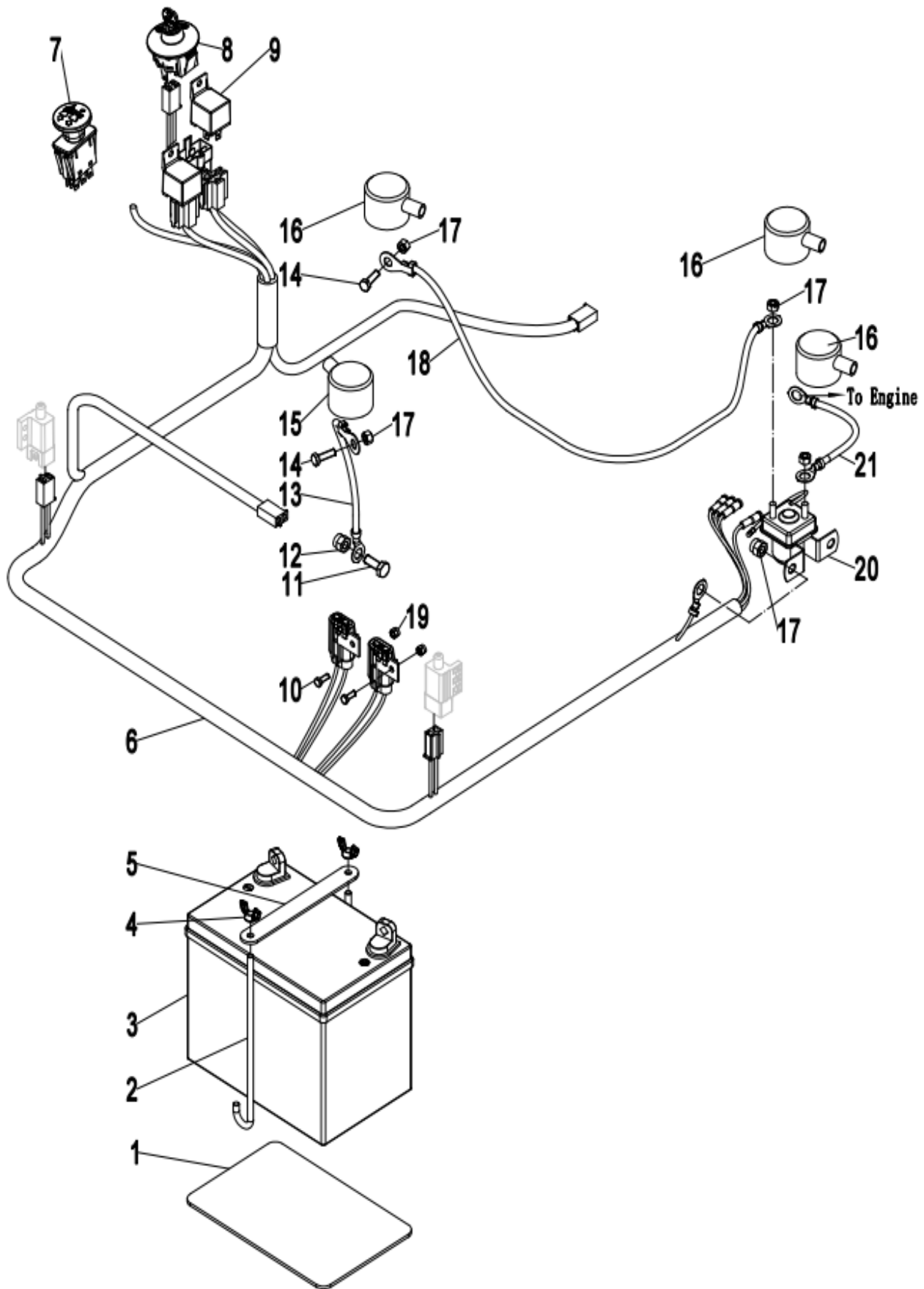
42" DECK ASSEMBLY



42" DECK ASSEMBLY

No.	Part number	Description	Spécification	Qty
1	DUPZT4034911	Pressed Deck 42"		1
2	DUPZT7030819	Washer	Ø8	29
3	DUPZT7020803A	Hex Lock Nut	M8	31
4	DUPZT7180812	Square Neck Bolt	M8×20	17
5	DUPZT4034916	Front ,Suspension		1
6	DUPZT7010888	Hex Bolt	M8×20	10
7	DUPZT4272040	Hanger-Left Front		1
8	DUPZT4034915	Hanger-Left Back		1
9	DUPZT4034918	Hanger-Right Back		1
10	DUPZT4272090	Plate,Low		2
11	DUPZT4034913	Plate,Tensionsing		1
12	DUPZT7021603	Hex Lock Nut	M16	1
13	DUPZT4034919	Idle Arm Shaft		1
14	DUPZT4030013	Connector Plate		1
15	DUPZT7010838	Hex Flange Bolt	M8×25	4
16	DUPZT4034721	Plate		2

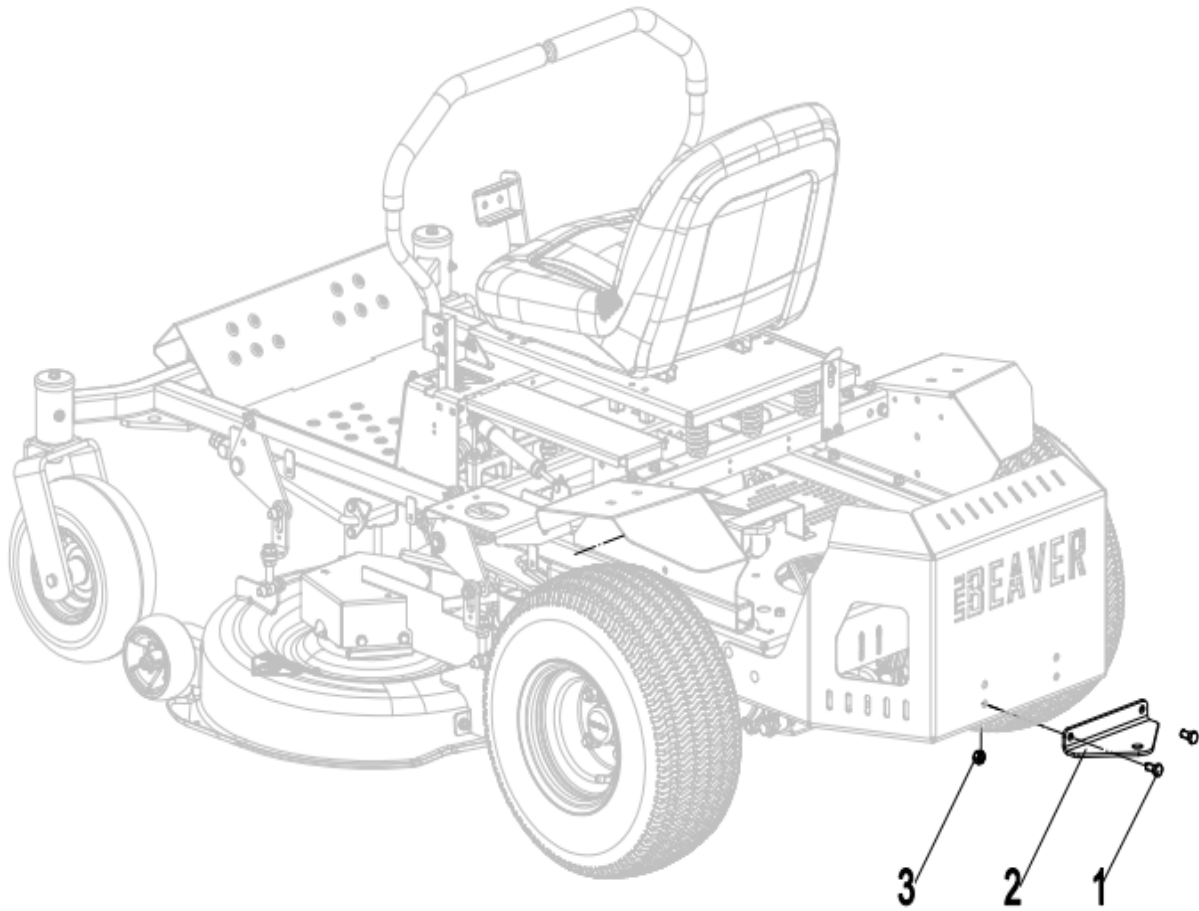
ELECTRICAL ASSEMBLY



ELECTRICAL ASSEMBLY

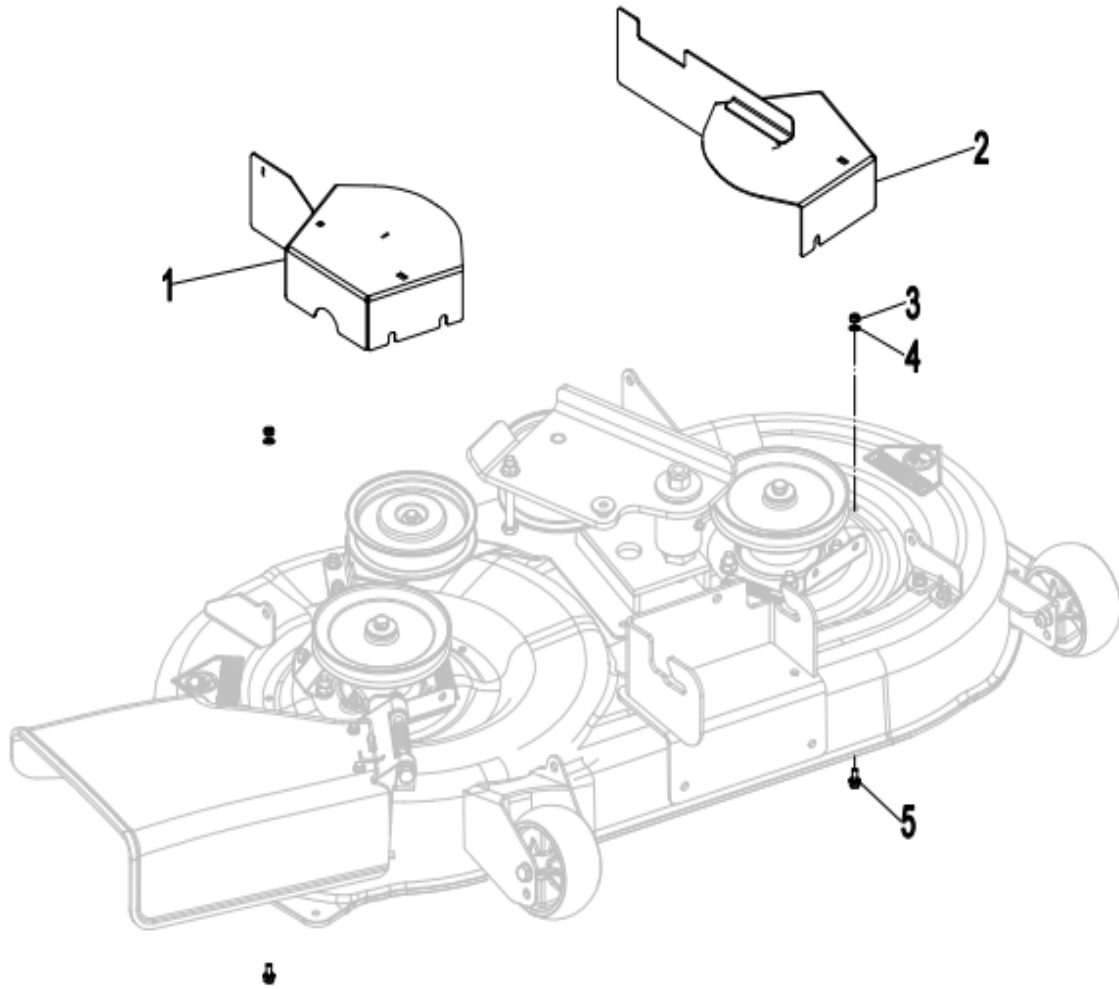
No.	Part number	Description	Spécification	Qty
1	DUPZT5041160	Rubber		1
2	DUPZT4181281	Battery Hold Down Strap Rod		2
3	DUPZT9070335	Battery		1
4	DUPZT7020606	Wing Nut		2
5	DUPZT4152270	Battery Hold Down Plate		1
6	DUPZT9055121	Main Wire Harness		1
7	DUPZT9010548	PTO Clutch Switch		1
8	DUPZTAES-1311-53A	Ignition Switch		1
9	DUPZT9021001	Relay		2
10	DUPZT7260507	Cross groove pan head screw	M5×12	4
11	DUPZT7010894	Hex Flange Bolt	M8×16	1
12	DUPZT7020803A	Hex Lock Nut	M8	1
13	DUPZT9055627	Cable-Battery,Negative		1
14	DUPZT7010662	Hex Bolt	M6×16	2
15	DUPZT6631001	Cathode Protective Cap		1
16	DUPZT6631002	Anode Protective Cap		3
17	DUPZT7020602A	Hex Lock Nut	M6	4
18	DUPZT9053171	Cable-Battery,Positive		1
19	DUPZT7020505A	Hex Lock Nut	M5	4
20	DUPZT9020280	Starting Relay		1
21	DUPZT9053191	Cable-Engine		1

ACCESSORIES



No.	Part number	Description	Spécification	Qty
1	DUPZT7011092	Hex Bolt	M10×20	2
2	DUPZT5090910	Bracket-Hitch		1
3	DUPZT7021004A	Hex Lock Nut	M10	2

SAFETY ASSEMBLY



No.	Part number	Description	Spécification	Qty
1	DUPZT4222094	Belt Guard-R		1
2	DUPZT4222093	Belt Guard-L		1
3	DUPZT7020602A	Hex Lock Nut	M6	2
4	DUPZT7030601	Washer	Φ6	2
5	DUPZT7010668	Hex Flange Bolt	M6×12	2

ELECTRICAL DIAGRAM

