

# LITTLE BEAVER

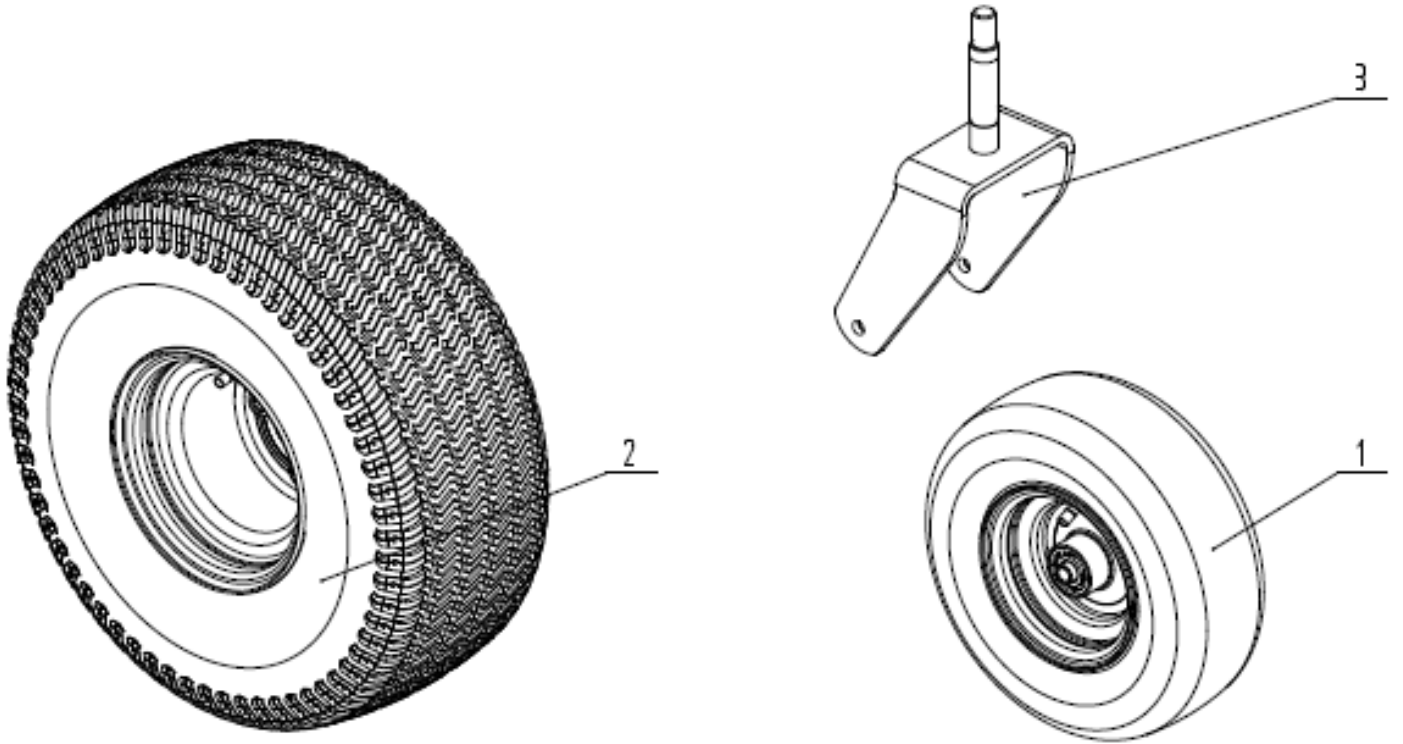
## Equipment parts manual

**Model : DUEZT54-60AH  
Zero-Turn mower**



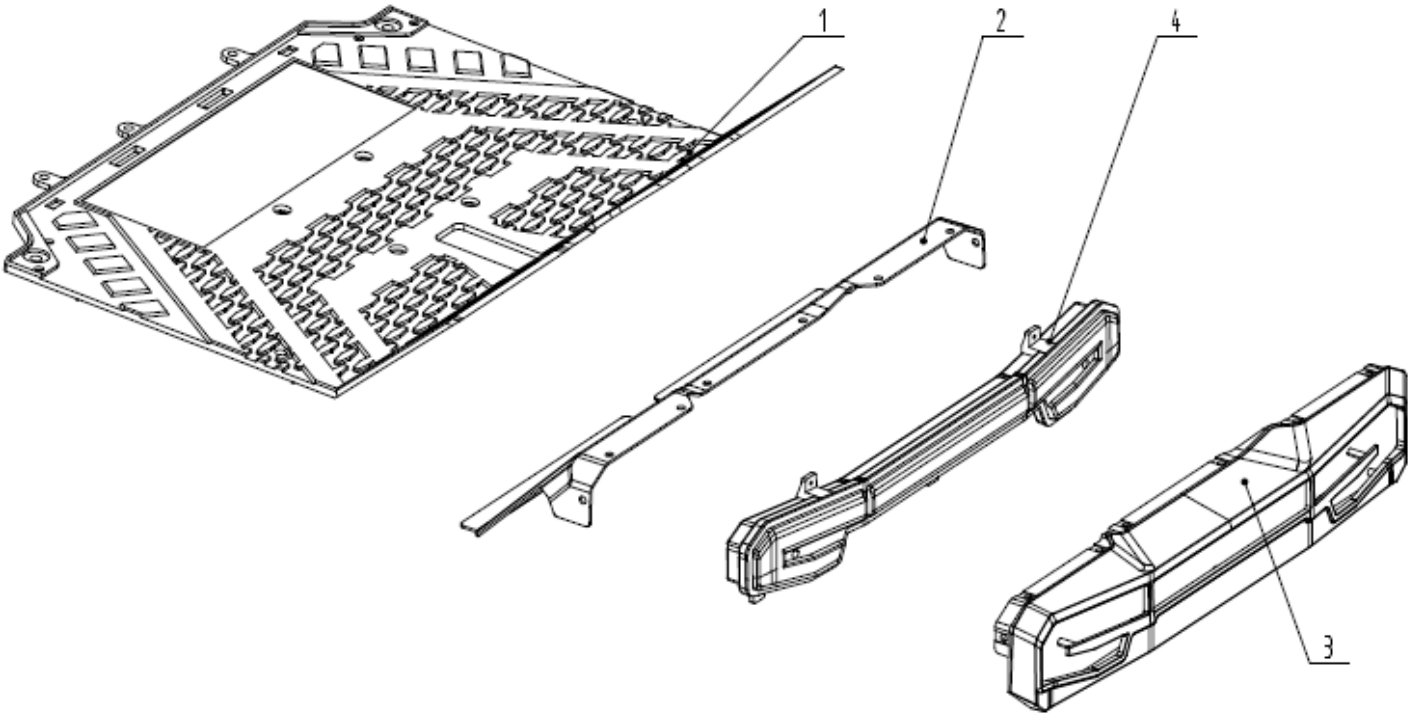
Picture may not reflect the exact model

# WHEELS



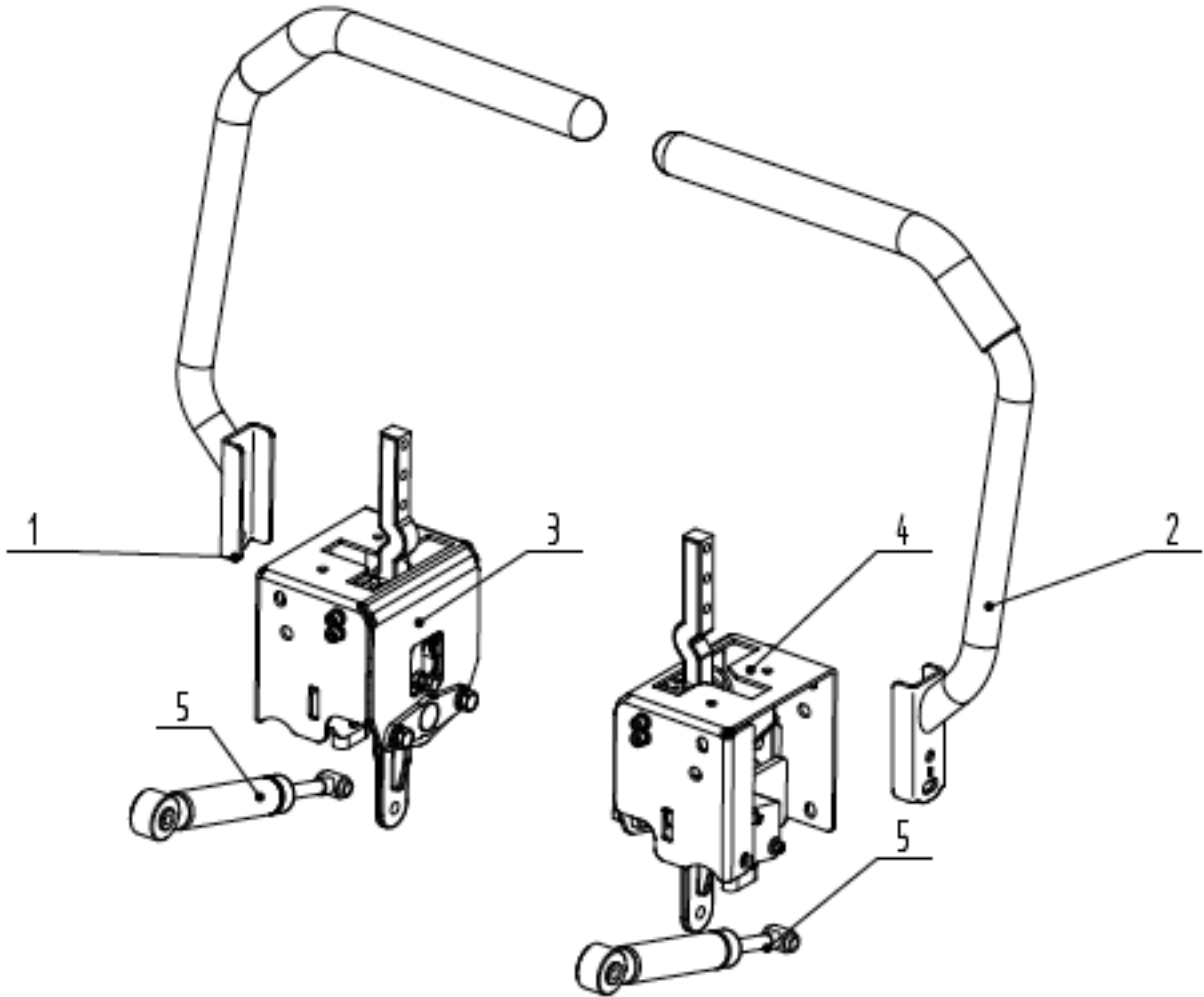
No.	Part number	Description	Qty
1	DUP77420-G150003	Front Wheel Assembly	2
2	DUP77410-G150003	Rear Wheel Assembly	2
3	DUP77426-G150001	Caster Fork	2

# FLOOR PANEL ASSEMBLY



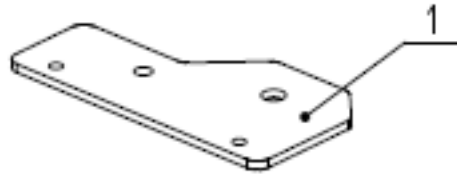
No.	Part number	Description	Qty
1	DUP81027-G150001	Floor Board	1
2	DUP79154-G150001	Foot Rest	1
3	DUP81048-G150001	Front Fascia	1
4	DUP33010-G150001	LED Headlight Assembly	1

## CONTROL ARM ASSEMBLY



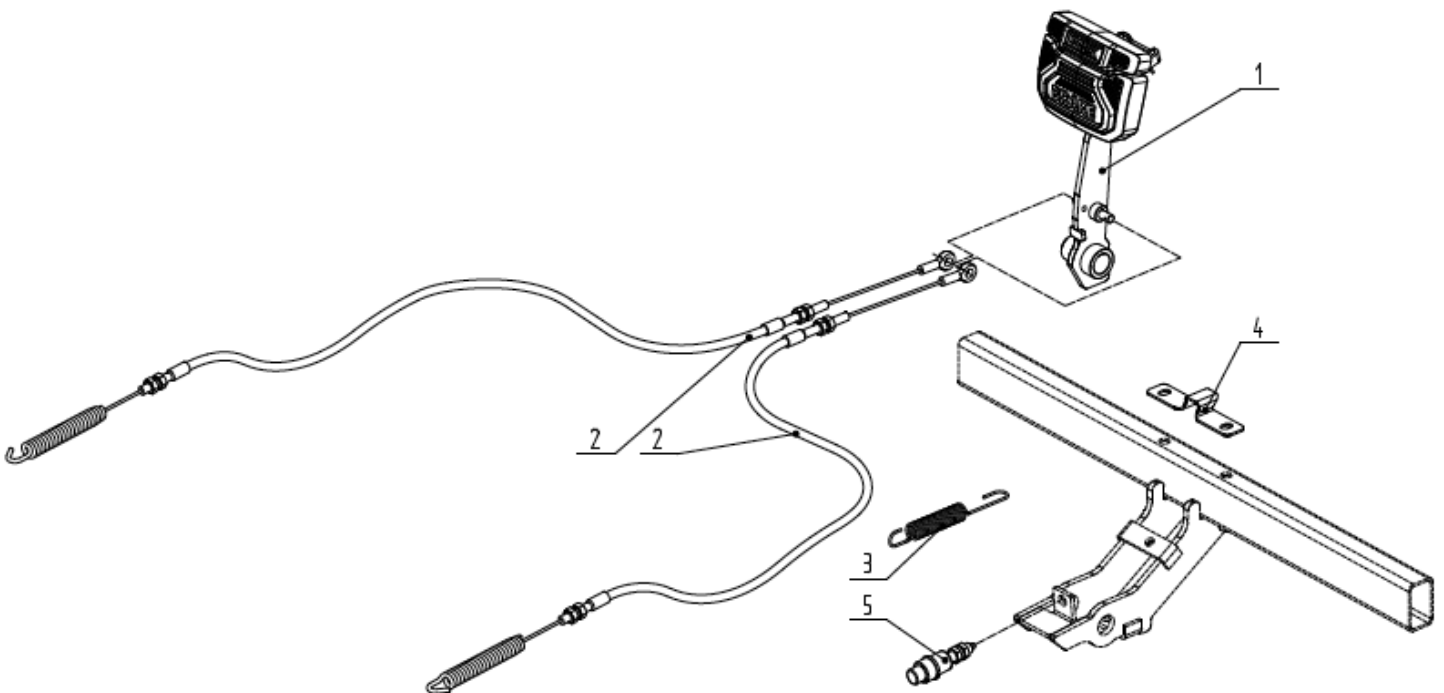
No.	Part number	Description	Qty
1	DUP78810-G150001	Control Arm Handle Left	1
2	DUP78810-G150002	Control Arm Handle Right	1
3	DUP78190-G150001	Control Arm assembly, Left	1
4	DUP78190-G150002	Control Arm assembly, Right	1
5	DUP78143-G020001	Control Arm Damper	2

## TOW HITCH



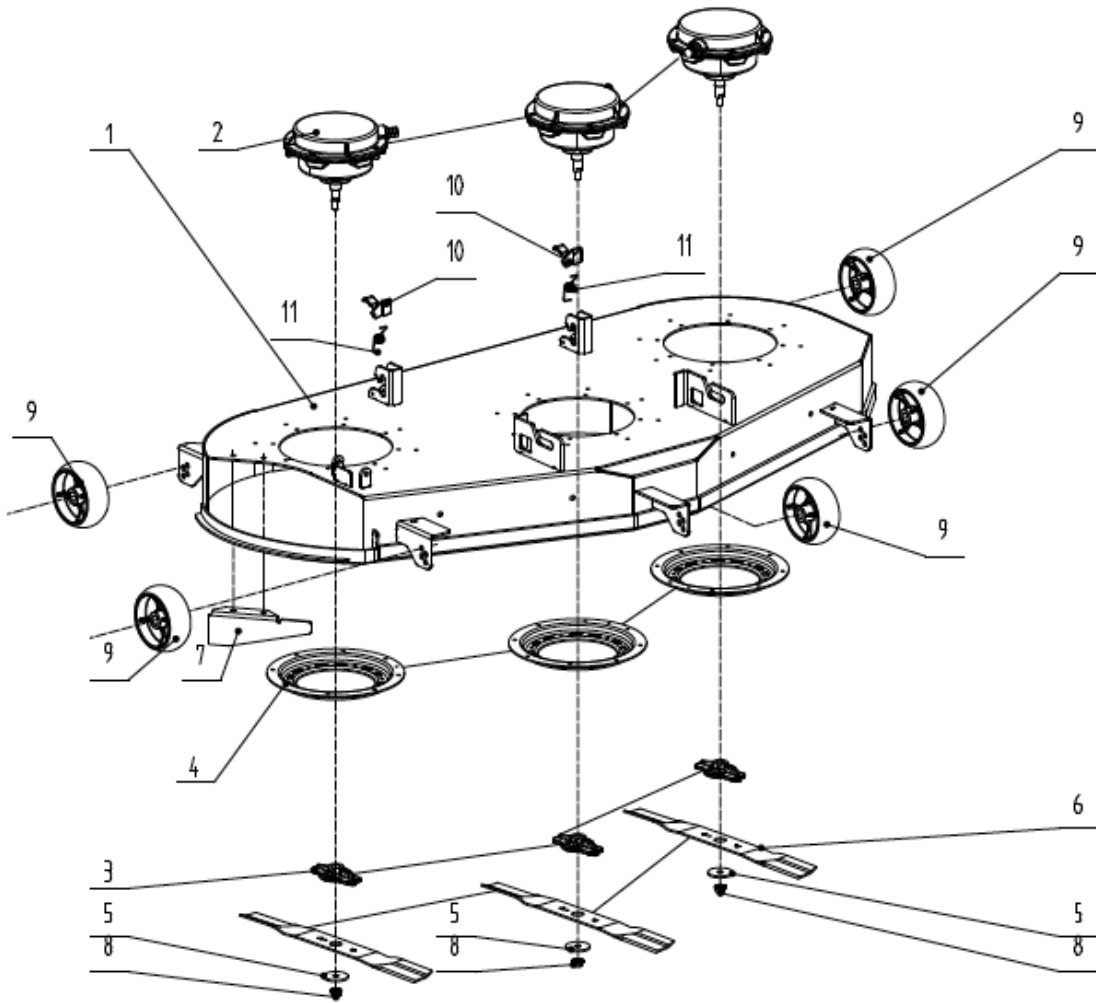
No.	Part number	Description	Qty
1	DUP72016-G150001	Tow Hitch	1

## BRAKE ASSEMBLY



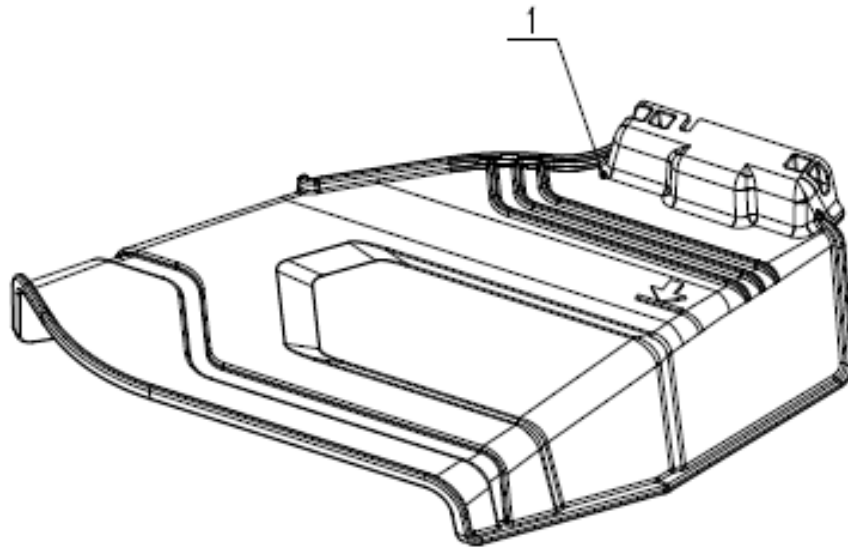
No.	Part number	Description	Qty
1	DUP91150-G150001	Brake Pedal Assembly	1
2	DUP77102-G150001	Brake Cable	2
3	DUP77118-G020001	Brake Pedal Spring	1
4	DUP77703-G020001	Brake Latch Hook	1
5	DUP77112-G010001	Brake Switch	1

# DECK ASSEMBLY



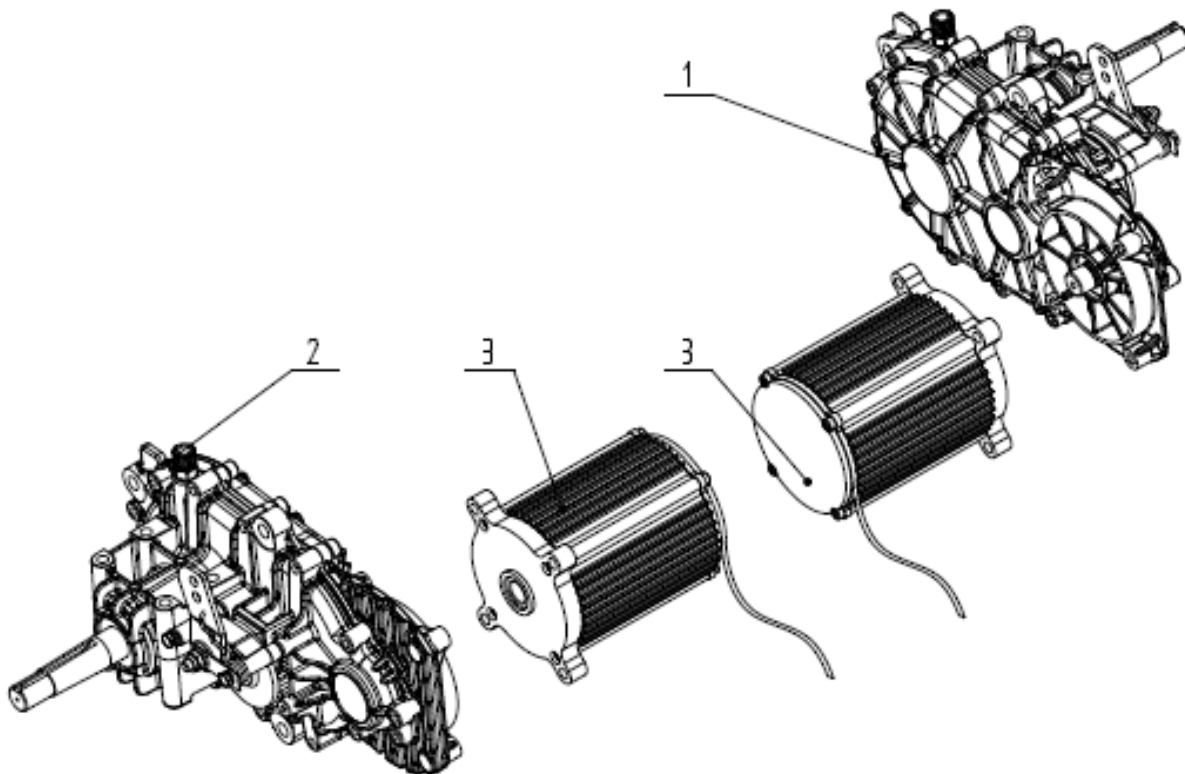
No.	Part number	Description	Qty
1	DUP73010-G160001	Deck, 54in	1
2	DUP73040-G160002	Deck Motor	3
3	DUP73025-G200001	Blade Adapter	3
4	DUP73046-G160002	Deck Motor Mounting Plate	3
5	DUP73026-G020001	Blade Retainer Washer	3
6	DUP73027-G160001	Blade	3
7	DUP72310-G060001	Discharge Baffle	1
8	DUP90358-G010001	Lock Nut (M10 x 1.25)	3
9	DUP73060-G010001	Front Deck Roller Wheel	5
10	DUP73070-G060003	Deck Clip Latch	2
11	DUP21226-G060001	Deck Clip Spring	2

## DISCHARGE AND MULCH COVER ASSEMBLY



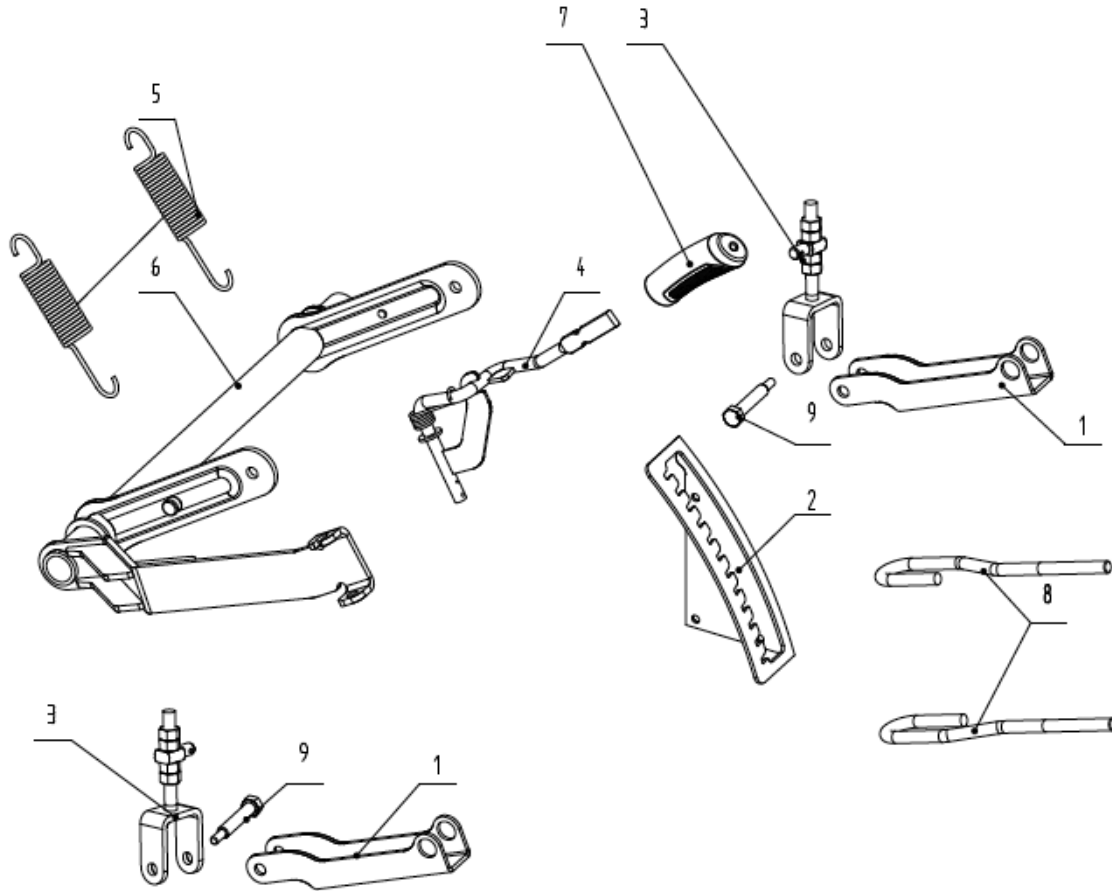
No.	Part number	Description	Qty
1	DUP72410-G160001	Side Discharge Chute Assembly	1

## DRIVE TRAIN ASSEMBLY



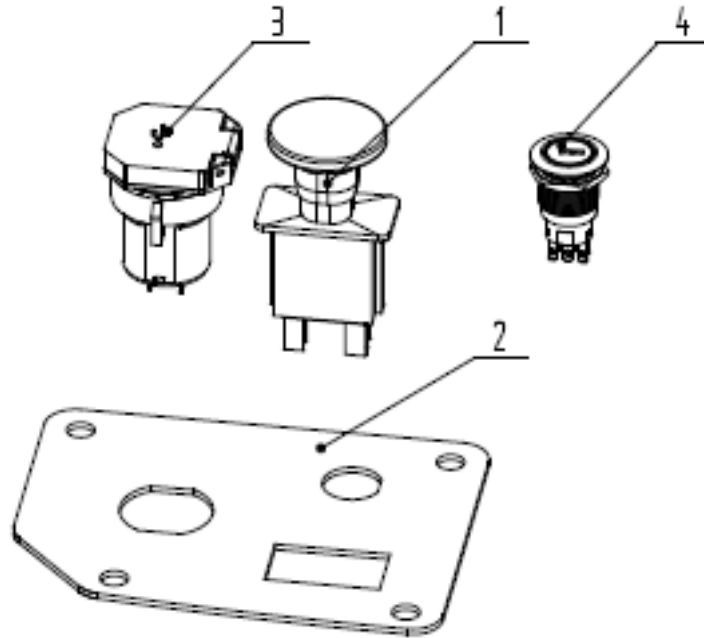
No.	Part number	Description	Qty
1	DUP77880-G150001	Gearbox Assembly Left	1
2	DUP77880-G150002	Gearbox Assembly Right	1
3	DUP77360-G160001	Drive Motor	2

# DECK LIFTING ASSEMBLY



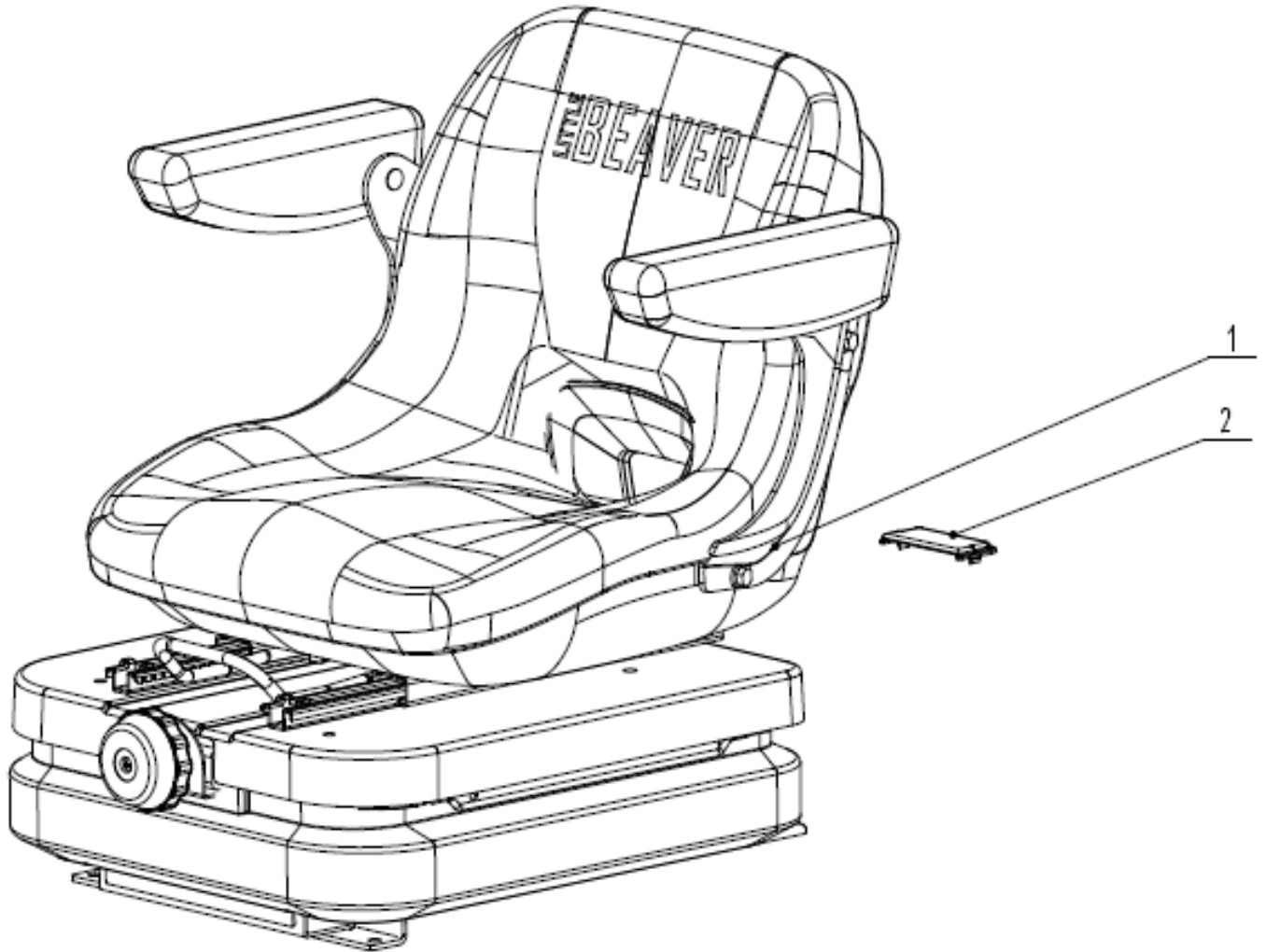
No.	Part number	Description	Qty
1	DUP78610-G060001	Deck Lift Linkage	2
2	DUP77620-G060001	Detent Plate	1
3	DUP92110-G160001	Y Hook Assembly	2
4	DUP77605-G160001	Deck Lift Lever	1
5	DUP77662-G060001	Deck Lift Spring	2
6	DUP77600-G160001	Deck Lift Linkage And Axle Assembly	1
7	DUP77606-G080001	Deck Lift Handle	1
8	DUP77444-G060001	Question Hook, Front Deck Hanger	2
9	DUP90209-G110001	Deck Lift Shoulder Bolt	2

## CONTROL PANEL ASSEMBLY



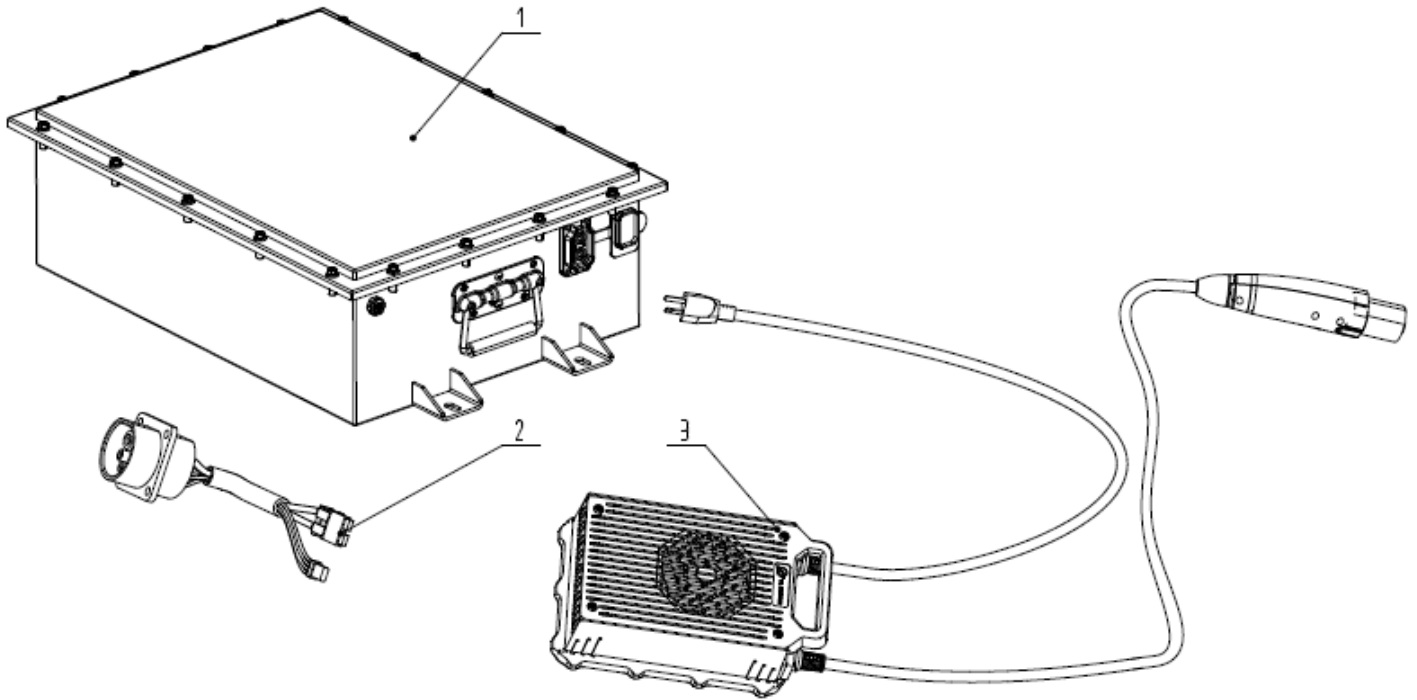
No.	Part number	Description	Qty
1	DUP35104-G050001	PTO	1
2	DUP35650-G150001	Control Panel Face Plate	1
3	DUP35557-G100001	USB Module (type C)	1
4	DUP35300-G200001	Key Module	1

# SEAT



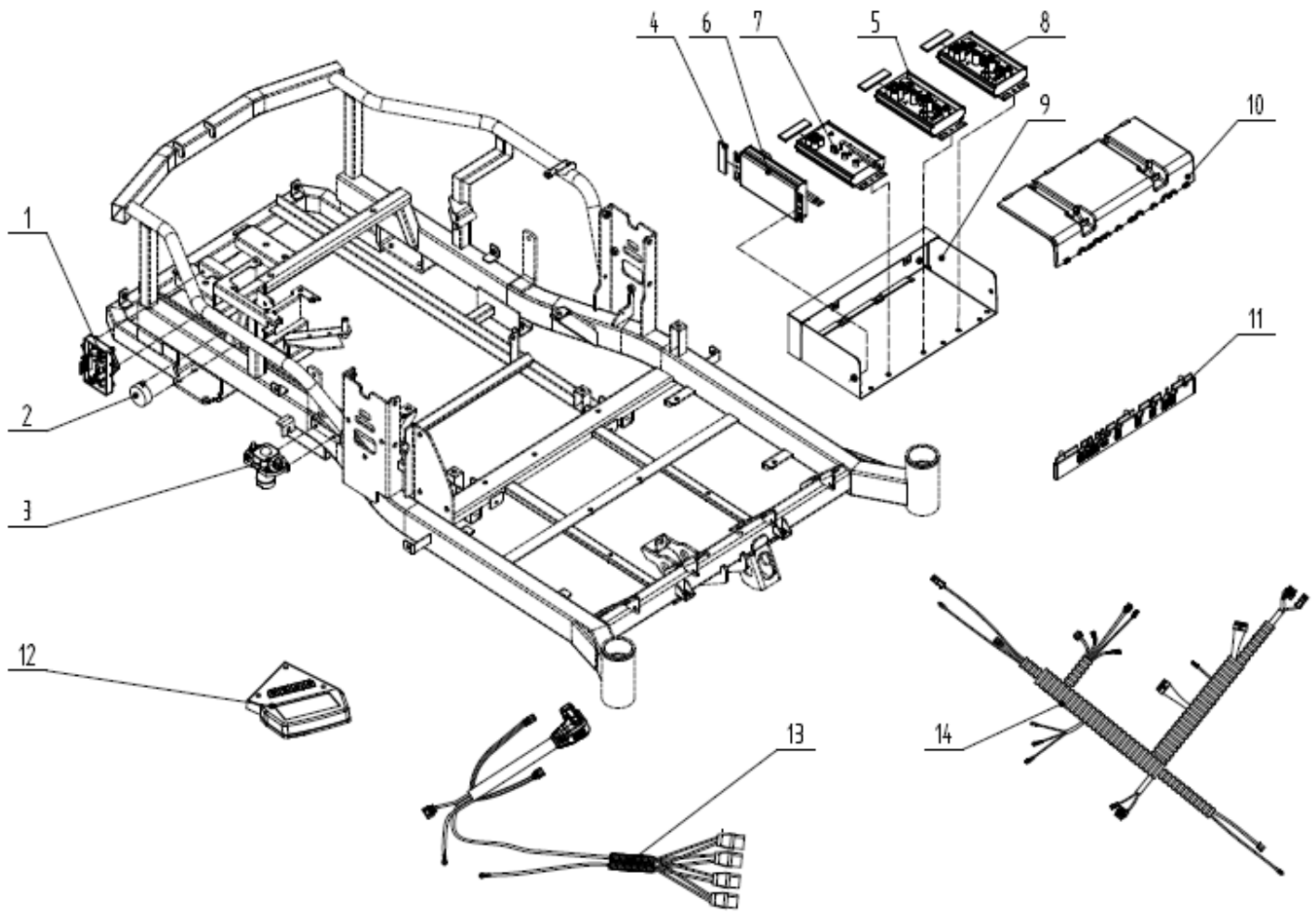
No.	Part number	Description	Qty
1	DUP79140-G150006	Suspension Seat W/Armrest	1
2	DUP81065-G150001	Wire Cover	1

# BATTERY AND CHARGER ASSEMBLY



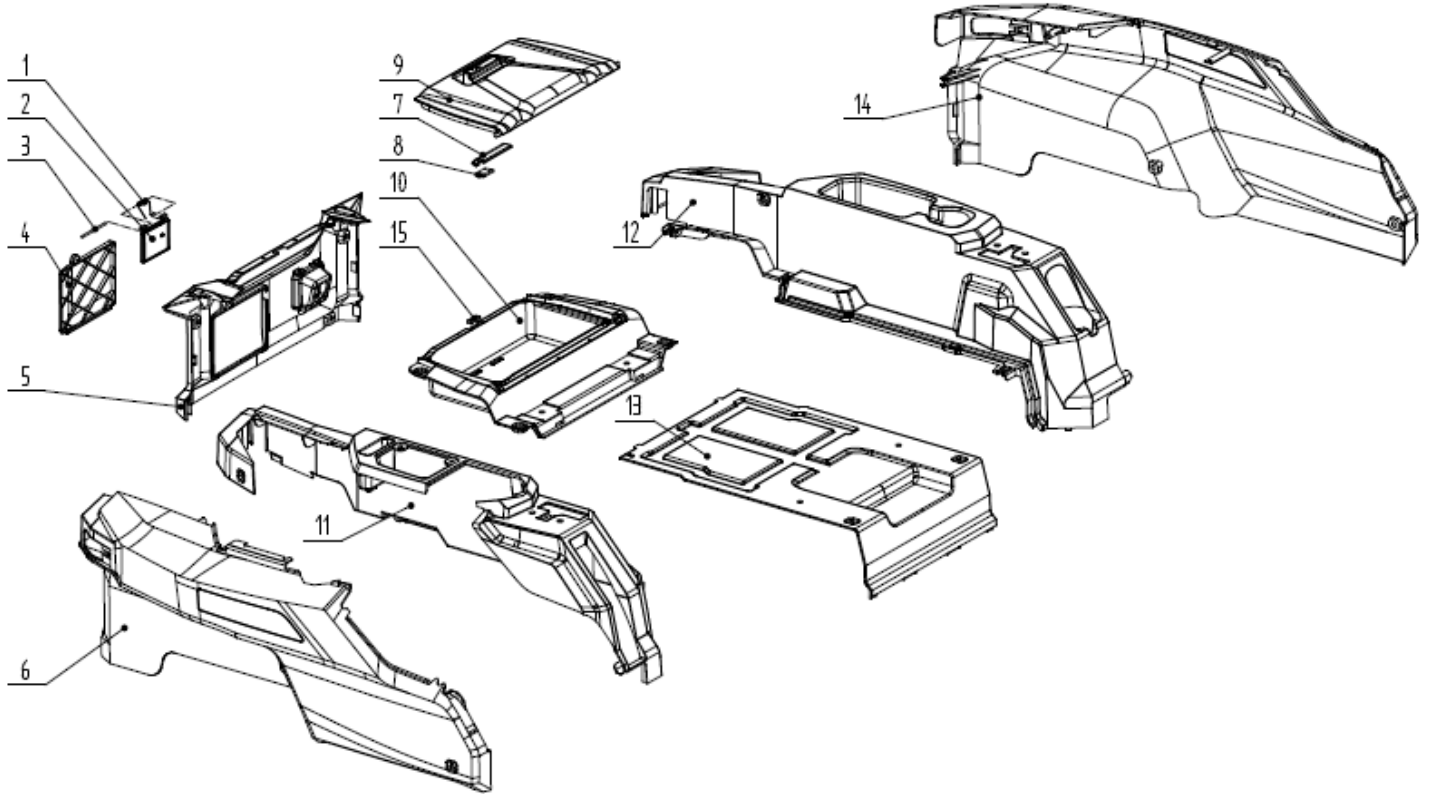
No.	Part number	Description	Qty
1	DUP81160-G160001	Battery (72V 60AH)	1
2	DUP35141-G150001	Charger Receptacle	1
3	DUP35152-G200001	Charger (US)	1

## ELECTRICAL PARTS AND FRAME



No.	Part number	Description	Qty
1	DUP81070-G150001	Center Control	1
2	DUP35156-G020001	Beeper	1
3	DUP37350-G010002	Main Relay	1
4	DUP77376-G150001	Silicone Pad	5
5	DUP77361-G150002	Drive Controller Slave	1
6	DUP73001-G160004	Deck Controller Slave	2
7	DUP73001-G160003	Deck Controller Master	1
8	DUP77361-G150001	Drive Controller Master	1
9	DUP81073-G150001	Controller Box	1
10	DUP81074-G150001	Controller Box Cover	1
11	DUP81039-G150001	Wire Seal Base	1
12	DUP81050-G150001	LCD And Button And Covers Assembly	1
13	DUP35661-G160001	Battery Output Cable	1
14	DUP35542-G150001	Main Wire Harness	1

# PLASTICS



No.	Part number	Description	Qty
1	DUP81011-G150001	Charger Port Door Spring	1
2	DUP81013-G150001	Charger Port Door	1
3	DUP93124-G150001	Charger Port Door Hinge Pin	1
4	DUP94111-G150001	Battery Plug Cover	1
5	DUP81009-G150001	Rear Trim Cover	1
6	DUP81008-G150001	Right Trim Cover	1
7	DUP81064-G150001	Storage Button	1
8	DUP81044-G150001	Magnet Plate	1
9	DUP81017-G150001	Storage Cover	1
10	DUP81043-G150001	Storage Box	1
11	DUP35680-G150001	Console, Right	1
12	DUP81007-G150001	Console, Left	1
13	DUP81016-G150001	Front Cover	1
14	DUP81006-G150001	Left Trim Cover	1
15	DUP81045-G150001	Magnet	1