

**POWERED BY**

**DUCAR**

**PROPULSÉ PAR**

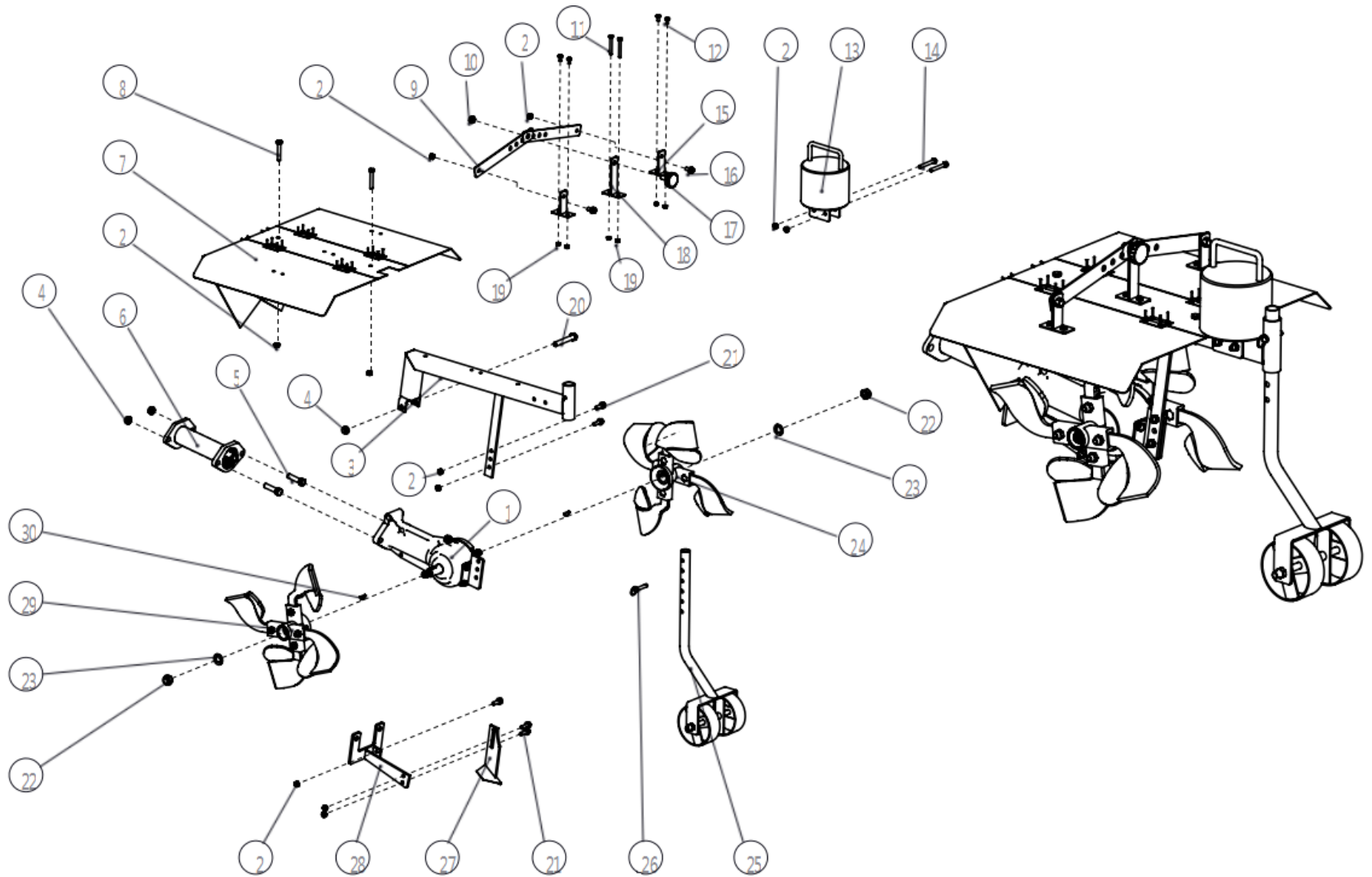
# **Equipment parts manual**

**Model : DUEDCS-DR26  
Ditch Excavator for DCS**



Picture may not reflect the exact model

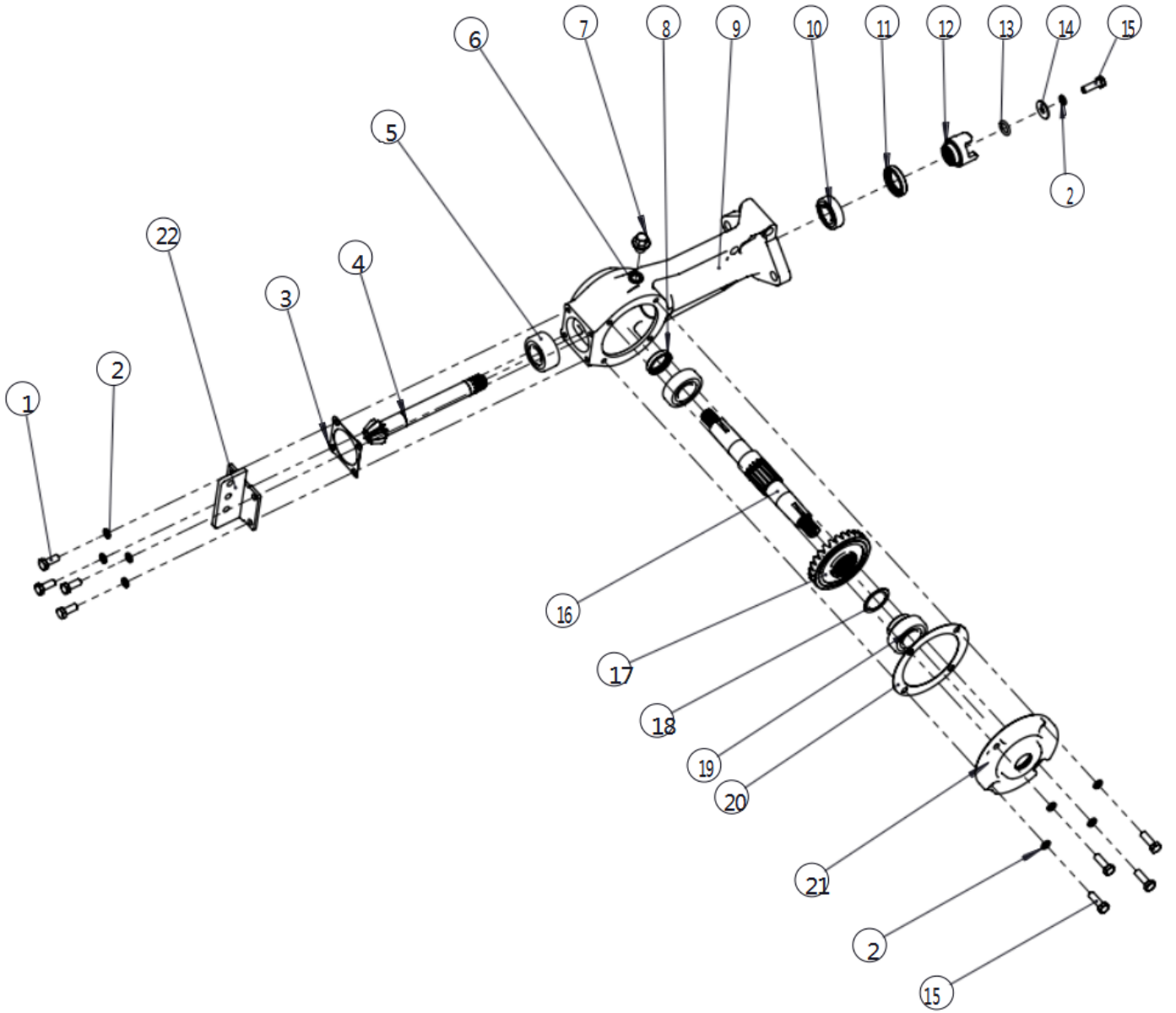
# DITCHER



# DITCHER

No.	Product code	Description	Quantity	Specification
1	DUPYX7KG-01000000	Gear box assy	1	
2	DUPGB/T 6182-2010	Non-metal embed hexagon lock nut M8	11	M8
3	DUPYX7KG-02000000	Main chassis	1	
4	DUPGB/T 6182-2016	Non-metal embed hexagon lock nut M12	3	M12
5	DUPGB/T 5783-2016	Full thread hexagon fangle bolt M12X45	2	M12x45
6	DUPYX7KG-03000000	Extension transmissionshaft assy	1	
7	DUPYX7KG-04000000	Defender assy	1	
8	DUPGB/T 5782-2000	Hexagon bolts M8X50	2	M8x50
9	DUPYX7KG-05000000	Defender adjust rod	2	3mm
10	DUPGB/T 6182-2010	Non-metal embed hexagon lock nut M10	1	M10
11	DUPGB/T 5782-2000	Full thread hexagon fangle bolt M6X50	2	M6x50
12	DUPGB/T 818-1985	Cross-slot head screw	4	Q2140612
13	DUPYX7KG-06000000	Counterweight	1	
14	DUPGB/T 5782-2000	Hexagon bolts with half thread M8X60	2	M8x60
15	DUPYX7KG-07000000	Defender base	2	
16	DUPGB/T 5789-1986	Full thread hexagon fangle bolt M8X16	2	M8x16
17	DUPPKEE	Mounting handle	1	M10x25
18	DUPYX7KG-08000000	Defender support	1	
19	DUPGB/T 6182-2010	Non-metal embed hexagon lock nut M6	6	M6
20	DUPGB/T 5782-2000	Hexagon bolts M12X75	1	M12x75
21	DUPGB/T 5789-1986	Full thread hexagon fangle bolt M8X25	5	M8x25
22	DUPGB/T 6182-2010	Non-metal embed hexagon lock nut M16	2	M16
23	DUPGB/T 97.1-2002	Flat washer	2	Φ 17xΦ30x2
24	DUPYX7KG-09000000	Left blade assy	1	
25	DUPYX7KG-10000000	Support wheel assy	1	
26	DUPYX7KG-10100000	Quickrelease pin	1	M8x45
27	DUPYX7KG-11000000	Plow	1	
28	DUPYX7KG-12000000	Seat of plow	1	
29	DUPYX7KG-13000000	Right blade assy	1	
30	DUPGB/T 1099.1-2003	Semicircle ky	2	key 5x9x22

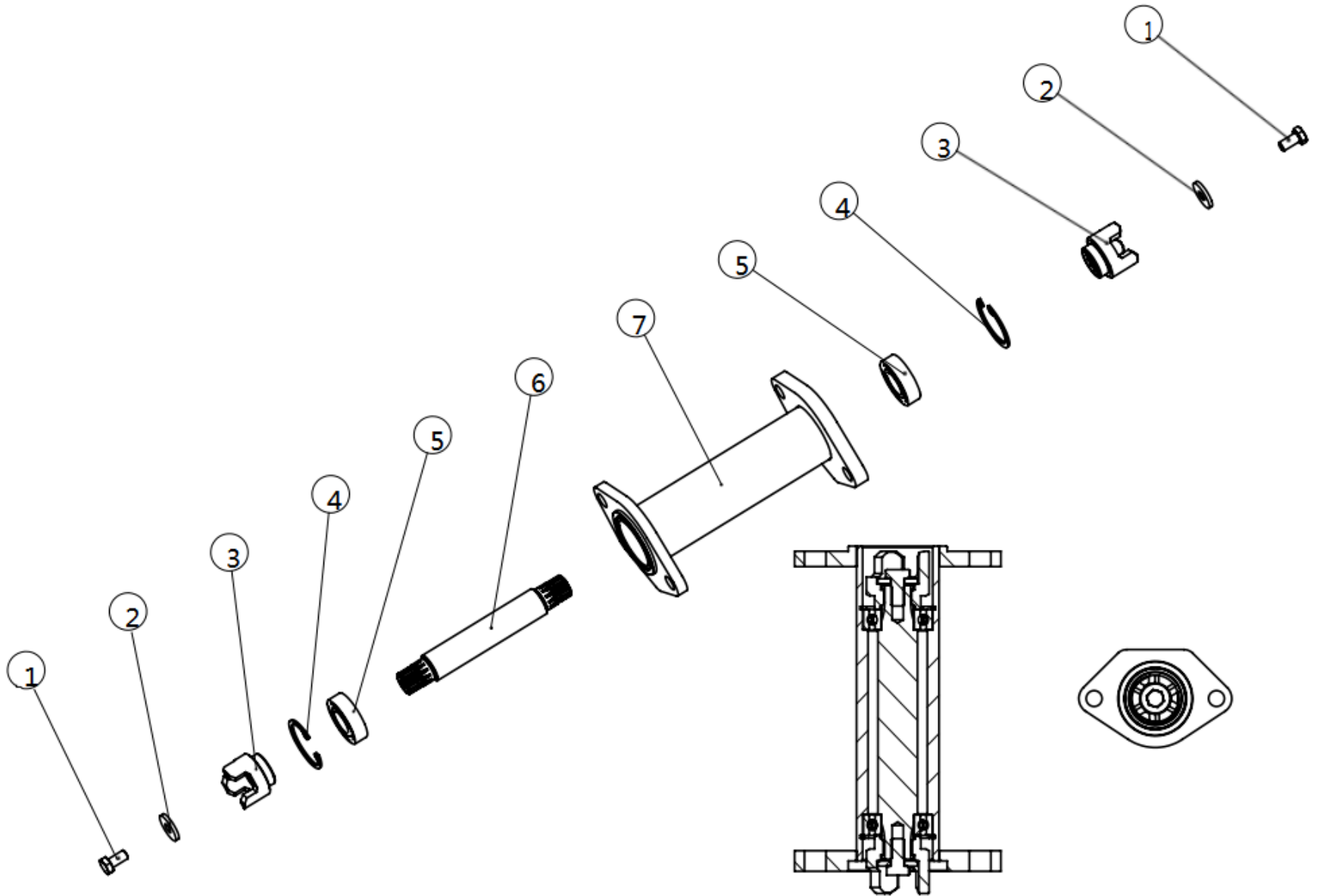
# GEAR BOX



## GEAR BOX

No.	Product code	Description	Quantity	Specification
1	DUPGB/T 5783-2000	Hexagon bolt full thread	4	M8×20
2	DUPGB/T 93-1987	Elastic washer	9	8
3	DUPYX7SX-04090000	Front cover gasket	1	
4	DUPYX7STB-01020000	Main shaft	1	Φ 32
5	DUPGB/T 276-2013	Deep groove ball bearing	1	3204-2RS
6	DUPJB982-77	Plug gasket	1	12
7	DUPJB/ZQ 4450-2006	Hexagon head bolt	1	M12×1.25
8	DUPGB/T 13871.1-2007	Skeleton oil seal	2	25×35×7
9	DUPYX7SX-01010000	Gear box case body	1	
10	DUPGB/T 276-2013	Deep groove ball bearing	1	6004-2RS
11	DUPGB/T 13871.1-2007	Skeleton oil seal	1	28×42×7
12	DUPYX7SX-01010500	Three claw connect sleeve	1	
13	DUPGB/T 3452.1-2005	O type rubber seal ring	1	Φ 20×Φ3.1
14	DUPGB/T 96.1-2002	Flat washer M8	1	Φ 8× Φ24×2
15	DUPGB/T 5783-2000	Full thread hexagon fangle bolt M8X25	5	M8×25
16	DUPYX7SX-04050000	Output shaft	1	
17	DUPYX7SX-04030000	Bevel gear	1	
18	DUPYX7SX-04100000	Bevel gear gasket	1	Φ 30.5× Φ 39×0.4
19	DUPGB/T 276-2013	Deep groove ball bearing	2	6205-2RS
20	DUPYX7SX-04060000	Side cover gasket	1	
21	DUPYX7SX-04040000	Side cover	1	
22	DUPYX7KG-01010000	Connector seat assembly	1	

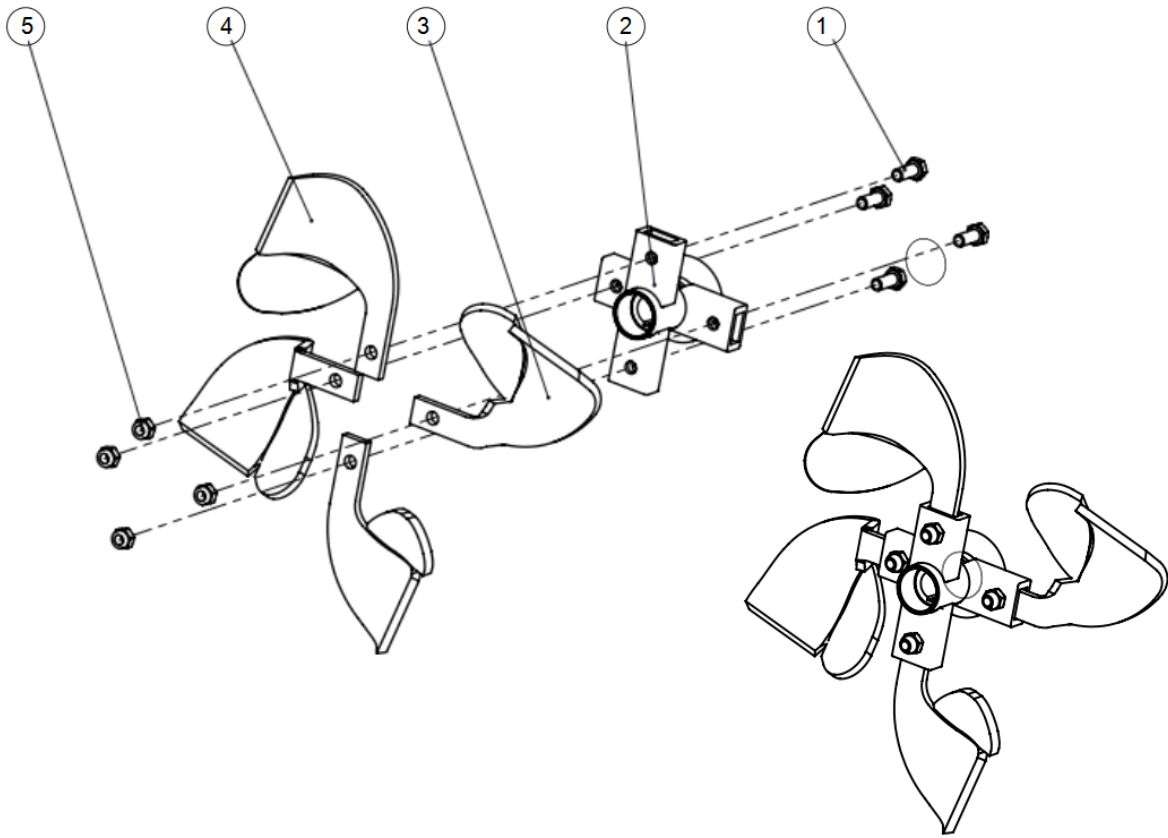
# TRANSMISSION ASSEMBLY



## TRANSMISSION ASSEMBLY

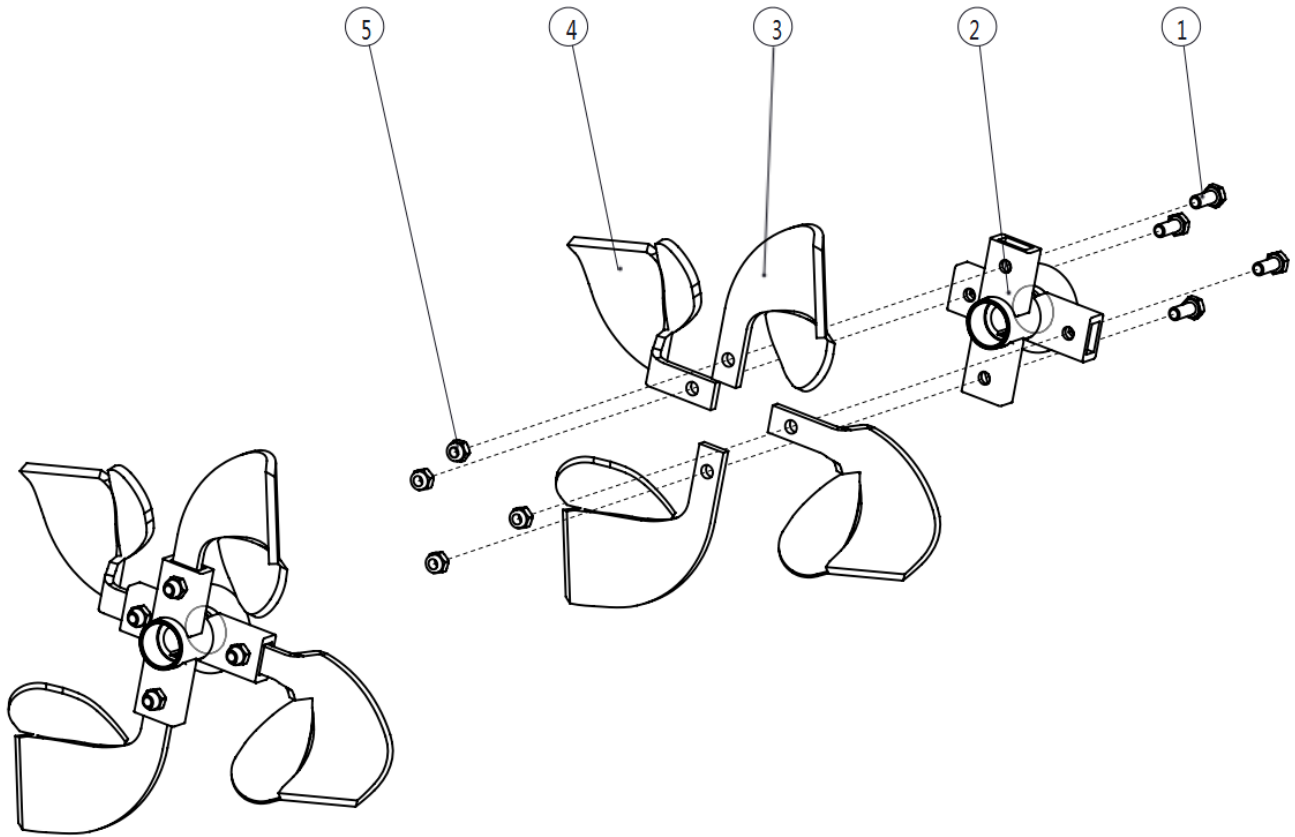
No.	Product code	Description	Quantity	Specification
1	DUPGB/T 5783-2000	Hexagon bolt full thread	2	M8×16
2	DUPGB/T 96.1-2002	Flat washer	2	Φ 8.4× Φ 24×3
3	DUPYX7SX-01010500	Three claw connect sleeve	2	
4	DUPGB/T 893-2017	Elastic retaining ring (for hole)	2	42
5	DUPGB/T 276-2013	Deep groove ball bearing	2	6004
6	DUPYX7KG-03010000	Transmission shaft	1	
7	DUPYX7KG-03020000	Extension shaft seat	1	

# LEFT BLADE



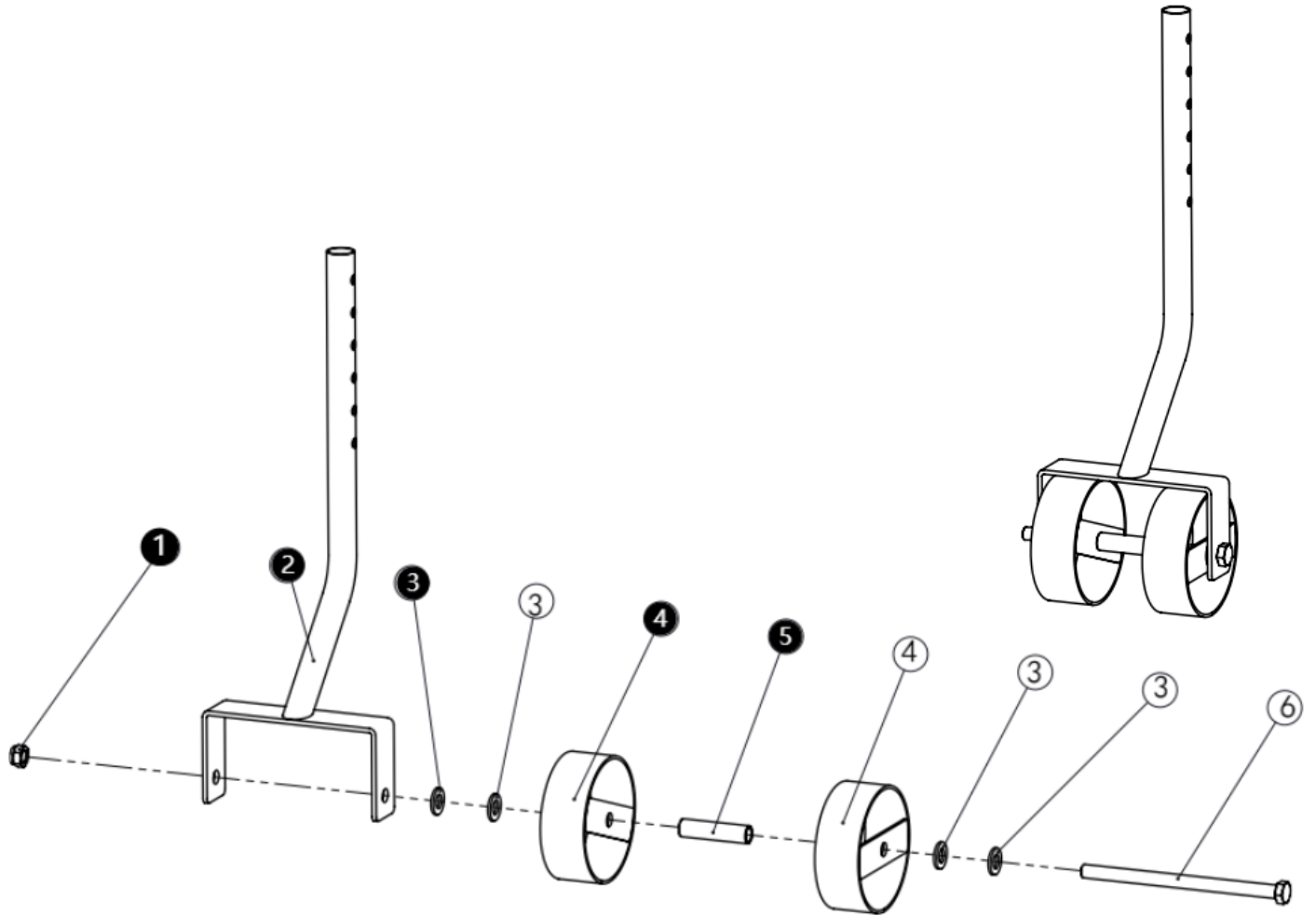
No.	Product code	Description	Quantity	Specification
1	DUPGB/T 5783-2000	Hexagon bolt full thread	4	M10x25
2	DUPYX7KG-09010000	Blade base	1	
3	DUPYX7KG-09020000	Ditcher curved blade assy L	2	
4	DUPYX7KG-09030000	Ditcher blade assy L	2	
5	DUPGB/T 6182-2010	Non-metal embed hexagon lock nut M10	4	M10

# RIGHT BLADE



No.	Product code	Description	Quantity	Specification
1	DUPGB/T 5783-2000	Hexagon bolt full thread	4	M10x25
2	DUPYX7KG-09010000	Blade base	1	
3	DUPYX7KG-13020000	Ditcher curved blade assy R	2	
4	DUPYX7KG-13030000	Ditcher blade assy R	2	
5	DUPGB/T 6182-2010	Non-metal embed hexagon lock nut M10	4	M10

# SUPPORT WHEEL



No.	Product code	Description	Quantity	Specification
1	DUPGB/T 6182-2016	Non-metal embed hexagon lock nut M12	1	M12
2	DUPYX7KG-10010000	Wheel frame	1	
3	DUPGB/T 97.1-2002	Flat washer	4	$\Phi 12 \times \Phi 24 \times 2.5$
4	DUPYX7KG-10020000	Support wheel	2	
5	DUPYX7KG-10030000	Spacer of axle	1	$\Phi 16 \times 2$
6	DUPGB/T 5782-2000	Hexagon bolt full thread M12x190	1	M12x190