

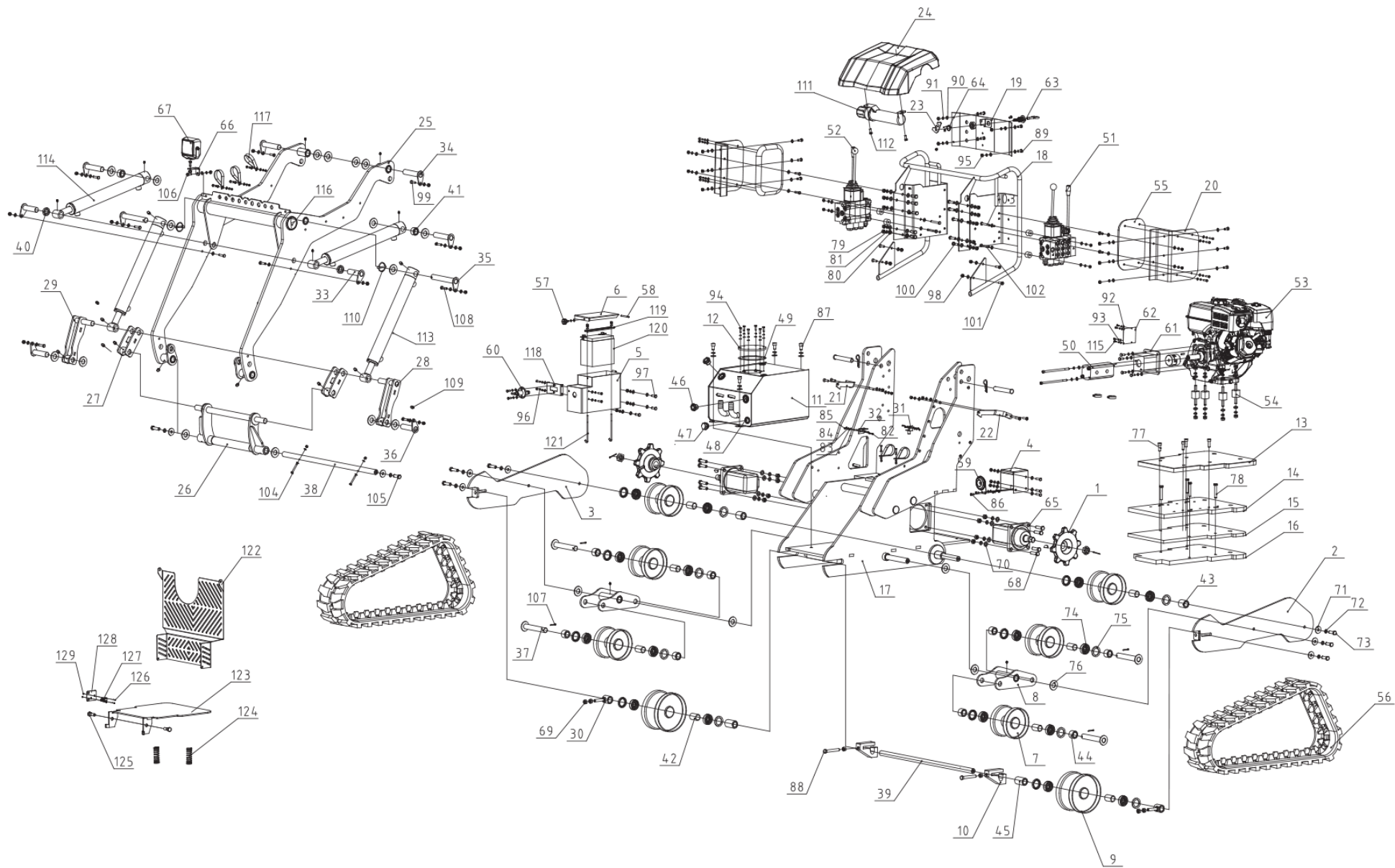
DUCAR

Equipment parts manual

Model : DUESOSKID-30
Stand-on skid steer



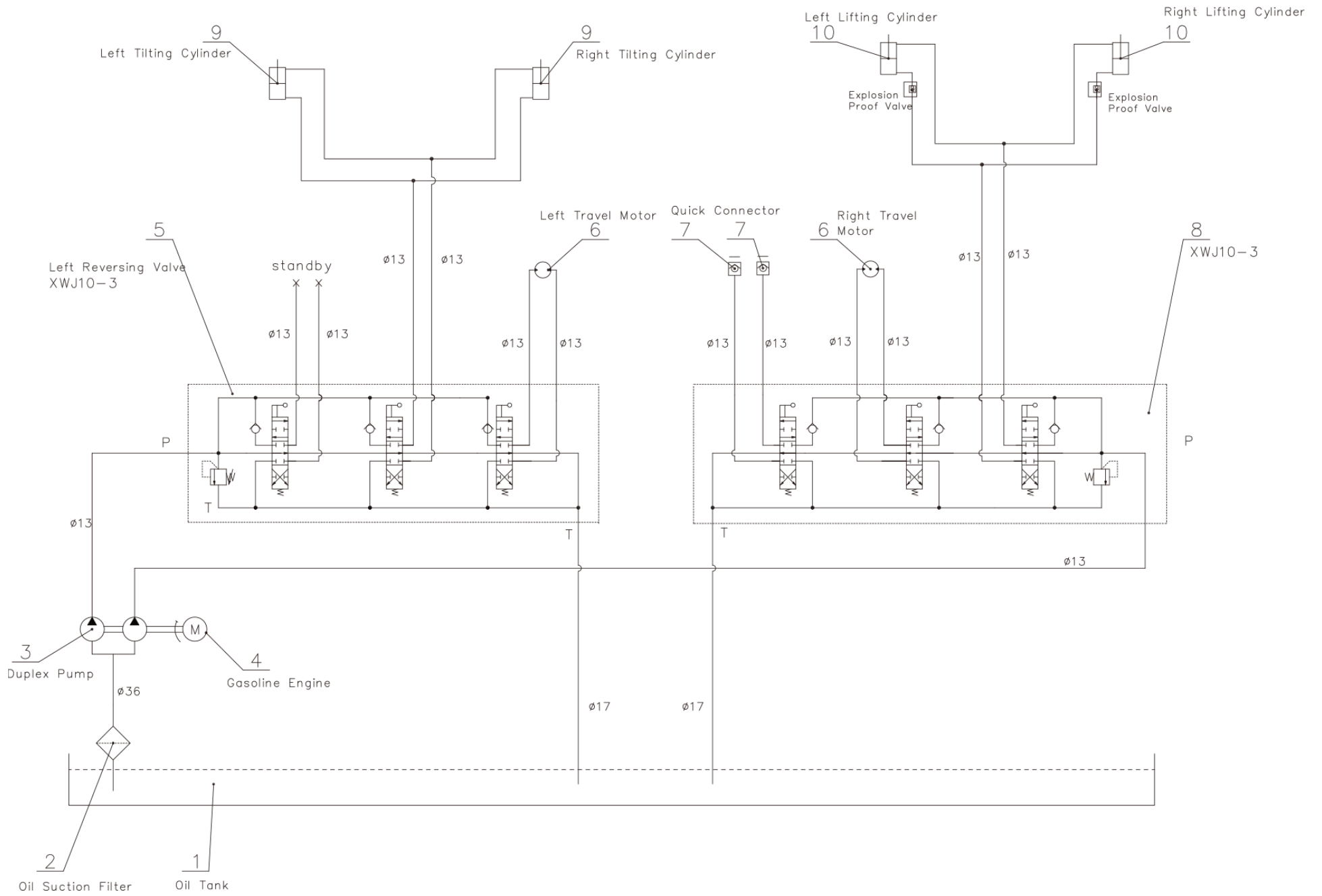
Picture may not reflect the exact model

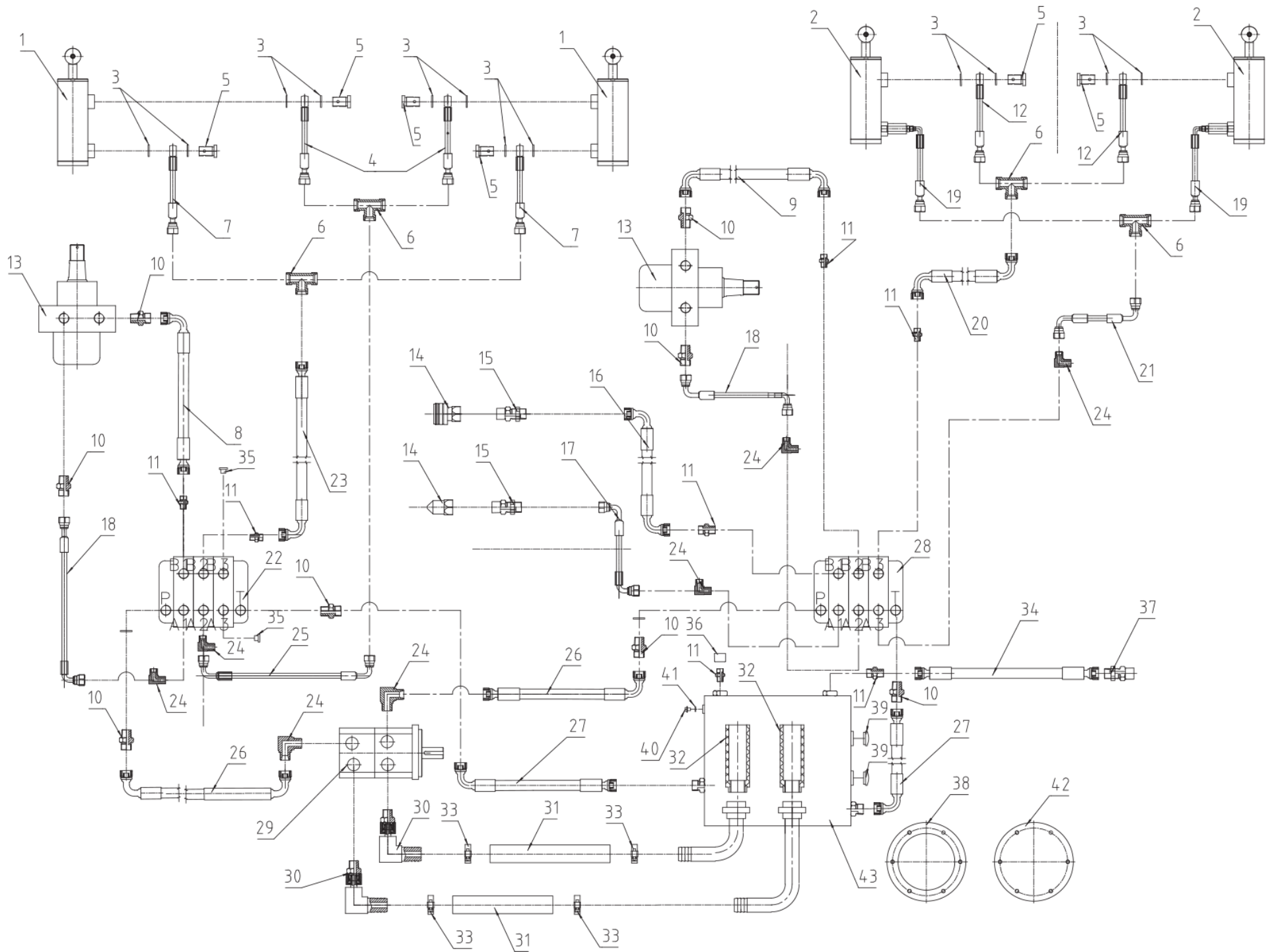


No.	Part number	Description	Qty
1	DUPSOSKID-001	Drive pinion	2
2	DUPSOSKID-002	Left skid plate	1
3	DUPSOSKID-003	Right skid plate	1
4	DUPSOSKID-004	Horn bracket	1
5	DUPSOSKID-005	Battery box	1
6	DUPSOSKID-006	Battery box cover	1
7	DUPSOSKID-007	Support roller	6
8	DUPSOSKID-008	Swivel bracket	2
9	DUPSOSKID-009	Front tensioner roller	2
10	DUPSOSKID-010	Tension block	2
11	DUPSOSKID-011	Hydraulic reservoir	1
12	DUPSOSKID-012	Hydraulic reservoir cover	1
13	DUPSOSKID-013	Driver platform plate	1
14	DUPSOSKID-014	Rear counterweight A	1
15	DUPSOSKID-015	Rear counterweight B	1
16	DUPSOSKID-016	Rear counterweight C	1
17	DUPSOSKID-017	Chassis	1
18	DUPSOSKID-018	Handle frame	1
19	DUPSOSKID-019	Dashboard	1
20	DUPSOSKID-020	Leg rest plate	2
21	DUPSOSKID-021	Lid support - right	1
22	DUPSOSKID-022	Lid support - left	1
23	DUPSOSKID-023	Hook	1
24	DUPSOSKID-024	Engine compartment cover	1
25	DUPSOSKID-025	Arrow	1
26	DUPSOSKID-026	Rock	1
27	DUPSOSKID-027	Connecting rod	2
28	DUPSOSKID-028	Left pivot link	1
29	DUPSOSKID-029	Right pivot link	1
30	DUPSOSKID-030	Outer spacer for front tensioner	1
31	DUPSOSKID-031	Oil drain plug mounting plate	1
32	DUPSOSKID-032	Left vent pipe mounting plate	1
33	DUPSOSKID-033	25*89 spindle shaft	2
34	DUPSOSKID-034	25*119 spindle shaft	4
35	DUPSOSKID-035	25*180 spindle shaft	2
36	DUPSOSKID-036	25*103 spindle shaft	2
37	DUPSOSKID-037	25*160 spindle shaft	4
38	DUPSOSKID-038	25*710 long spindle	1
39	DUPSOSKID-039	25*710 axle	1
40	DUPSOSKID-040	25*38*10 spacer sleeve	2
41	DUPSOSKID-041	Spacer sleeve 25*38*20	2
42	DUPSOSKID-042	Bearing spacer sleeve 26*33*46	8
43	DUPSOSKID-043	Outer spacer for support roller 25*38*41	2
44	DUPSOSKID-044	Swivel roller spacer sleeve 25*38*26	8
45	DUPSOSKID-045	Inner spacer for front tensioner 5*38*59	2

No.	Part number	Description	Qty
46	DUPSOSKID-046	Oil level indicator	2
47	DUPSOSKID-047	Hexagonal screw cap	1
48	DUPSOSKID-048	Combination washer	1
49	DUPSOSKID-049	Oil tank cap gasket	1
50	DUPSOSKID-050	Duplex Gear Pump	1
51	DUPSOSKID-051	Right Reversing Valve	1
52	DUPSOSKID-052	Left Reversing Valve	1
53	DUPSOSKID-053	Gasoline Engine	1
54	DUPSOSKID-054	Vibration Absorbing Mount	4
55	DUPSOSKID-055	Cushion	2
56	DUPSOSKID-056	Rubber Track	2
57	DUPSOSKID-057	Torx Knob	1
58	DUPSOSKID-058	Double-Ended Split Pin	1
59	DUPSOSKID-059	Horn (DC12V 105dB)	1
60	DUPSOSKID-060	Battery Negative Switch	1
61	DUPSOSKID-061	Gear Pump Bracket	1
62	DUPSOSKID-062	Gear Pump Bracket Cover	1
63	DUPSOSKID-063	Lock Core (40mm) with Key	1
64	DUPSOSKID-064	Torsion Spring	1
65	DUPSOSKID-065	Hydraulic Motor	2
66	DUPSOSKID-066	Headlight Mounting Plate	1
67	DUPSOSKID-067	Headlight	1
68	DUPSOSKID-068	M12 Hex Nut	14
69	DUPSOSKID-069	M12*45 Hex Bolt	8
70	DUPSOSKID-070	12 Flat Washer	12
71	DUPSOSKID-071	12 Flat Washer	8
72	DUPSOSKID-072	12 Spring Washer	20
73	DUPSOSKID-073	M12*35 Hex Bolt	6
74	DUPSOSKID-074	6205-2RS Bearing	16
75	DUPSOSKID-075	D52*d38*7 Oil Seal	16
76	DUPSOSKID-076	24 Flat Washer	18
77	DUPSOSKID-077	M10*30 Hex Socket Head Cap Screw	4
78	DUPSOSKID-078	Bolt Hexagonal bolt M10*60	4
79	DUPSOSKID-079	Hexagonal nut M10	19
80	DUPSOSKID-080	Flat washer 10	29
81	DUPSOSKID-081	Retaining washer 10	19
82	DUPSOSKID-082	Hexagonal bolt M6*35	5
83	DUPSOSKID-083	Flat washer 6	44
84	DUPSOSKID-084	Retaining washer 6	39
85	DUPSOSKID-085	Hexagonal nut M6	16
86	DUPSOSKID-086	Hexagonal bolt M6*20	12
87	DUPSOSKID-087	Hexagonal socket head cap screw M12*25	4
88	DUPSOSKID-088	Hexagonal bolt M12*80	2
89	DUPSOSKID-089	Hexagonal bolt M8*25	20
90	DUPSOSKID-090	Flat washer 8	50

No.	Part number	Description	Qty
91	DUPSOSKID-091	Retaining washer 8	34
92	DUPSOSKID-092	Flat washer 4	4
93	DUPSOSKID-093	Retaining washer 4	4
94	DUPSOSKID-094	Hexagonal bolt M6*25	12
95	DUPSOSKID-095	Hexagonal nut M8	30
96	DUPSOSKID-096	Hexagonal bolt M6*12	4
97	DUPSOSKID-097	Hexagonal bolt M8*20	6
98	DUPSOSKID-098	Hexagonal locknut M8	14
99	DUPSOSKID-099	Hexagonal countersunk head screw M8*30	4
100	DUPSOSKID-100	Hexagonal bolt M10*35	10
101	DUPSOSKID-101	Hexagonal countersunk head screw M8*25	6
102	DUPSOSKID-102	Hexagonal bolt M8*80	2
103	DUPSOSKID-103	Hexagonal bolt M8*85	2
104	DUPSOSKID-104	Hexagonal bolt M6*50	2
105	DUPSOSKID-105	M12*30 Hex Bolt	2
106	DUPSOSKID-106	M10*25 Hex Bolt	1
107	DUPSOSKID-107	5*35 Split Pin	4
108	DUPSOSKID-108	M8*35 Hex Bolt	6
109	DUPSOSKID-109	M6 Oil Cup	18
110	DUPSOSKID-110	Clip	2
111	DUPSOSKID-111	Manual Tube	1
112	DUPSOSKID-112	M8*16 Hex Bolt	2
113	DUPSOSKID-113	Cylinder Assembly	2
114	DUPSOSKID-114	Cylinder Assembly	2
115	DUPSOSKID-115	M4*12 Hex Bolt	4
116	DUPSOSKID-116	End Cap	2
117	DUPSOSKID-117	Hose Clamp (Ø55)	2
118	DUPSOSKID-118	Negative Switch Mounting Plate	1
119	DUPSOSKID-119	Battery Mounting Plate	1
120	DUPSOSKID-120	Battery	1
121	DUPSOSKID-121	Battery Hook	2
122	DUPSOSKID-122	Rear Guard	1
123	DUPSOSKID-123	Pedal	1
124	DUPSOSKID-124	Reset Spring	2
125	DUPSOSKID-125	M6*16 Hex Bolt	2
126	DUPSOSKID-126	M3*20 Phillips Head Screw	2
127	DUPSOSKID-127	Microswitch	1
128	DUPSOSKID-128	Microswitch Mounting Plate	1
129	DUPSOSKID-129	M3 Hex Locknut	2





No.	Numéro de pièce	Description	Qté
1	DUPSOSKID-H001	Cylinder assembly	2
2	DUPSOSKID-H002	Cylinder assembly	2
3	DUPSOSKID-H003	Glued washer	16
4	DUPSOSKID-H004	Rod cavity tube for tilt cylinder	2
5	DUPSOSKID-H005	G3/8 hollow bolt	8
6	DUPSOSKID-H006	T-connector	4
7	DUPSOSKID-H007	Rodless cavity tube for tilt cylinder	2
8	DUPSOSKID-H008	Upper motor tube (left)	1
9	DUPSOSKID-H009	Upper motor tube (right)	1
10	DUPSOSKID-H010	Straight connector	8
11	DUPSOSKID-H011	Straight connector	7
12	DUPSOSKID-H012	Rod cavity tube for boom cylinder	2
13	DUPSOSKID-H013	Hydraulic motor	2
14	DUPSOSKID-H014	G3/8 Quick Connector	1
15	DUPSOSKID-H015	Extended connector	2
16	DUPSOSKID-H016	Upper hose for quick connector	1
17	DUPSOSKID-H017	Lower hose for quick connector	1
18	DUPSOSKID-H018	Lower hose for engine	2
19	DUPSOSKID-H019	Rodless cavity tube for boom cylinder	2
20	DUPSOSKID-H020	Main pipe for boom cylinder (upper)	1
21	DUPSOSKID-H021	Main hose for boom cylinder (Lower)	1
22	DUPSOSKID-H022	Left reversing valve	1
23	DUPSOSKID-H023	Main tilt pipe (upper)	1
24	DUPSOSKID-H024	Right-angle connector	7
25	DUPSOSKID-H025	Main tilt pipe (lower)	1
26	DUPSOSKID-H026	Pump outlet pipe	2
27	DUPSOSKID-H027	Return pipe	2
28	DUPSOSKID-H028	Right reversing valve	1
29	DUPSOSKID-H029	Pump outlet pipe	1
30	DUPSOSKID-H030	Return pipe	2
31	DUPSOSKID-H031	Straight reversing valve	1
32	DUPSOSKID-H032	Duplex pump	2
33	DUPSOSKID-H033	Elbow inlet fitting for pump	4
34	DUPSOSKID-H034	Oil suction pipe	1
35	DUPSOSKID-H035	Mesh filter	2
36	DUPSOSKID-H036	Hose hoop	1
37	DUPSOSKID-H037	Oil tank vent pipe	1
38	DUPSOSKID-H038	Screw cap	1
39	DUPSOSKID-H039	Oil tank gasket	2
40	DUPSOSKID-H040	Oil tank vent gasket	1
41	DUPSOSKID-H041	Oil tank cap gasket	1
42	DUPSOSKID-H042	Oil level sight glass	1
43	DUPSOSKID-H043	Hex screw cap	1