

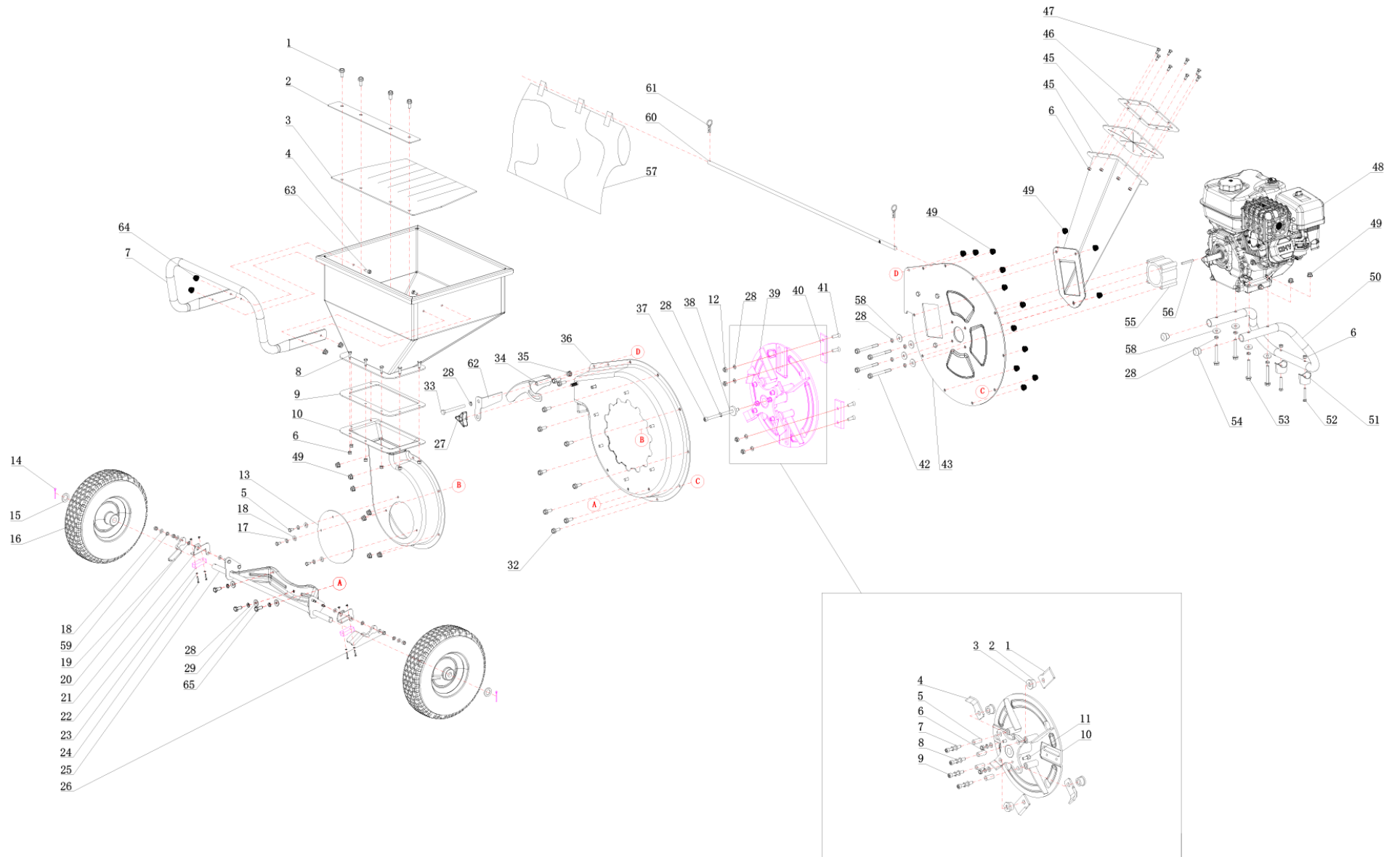
DUCAR

Equipment parts manual

Model : DUEB700
Wood chipper

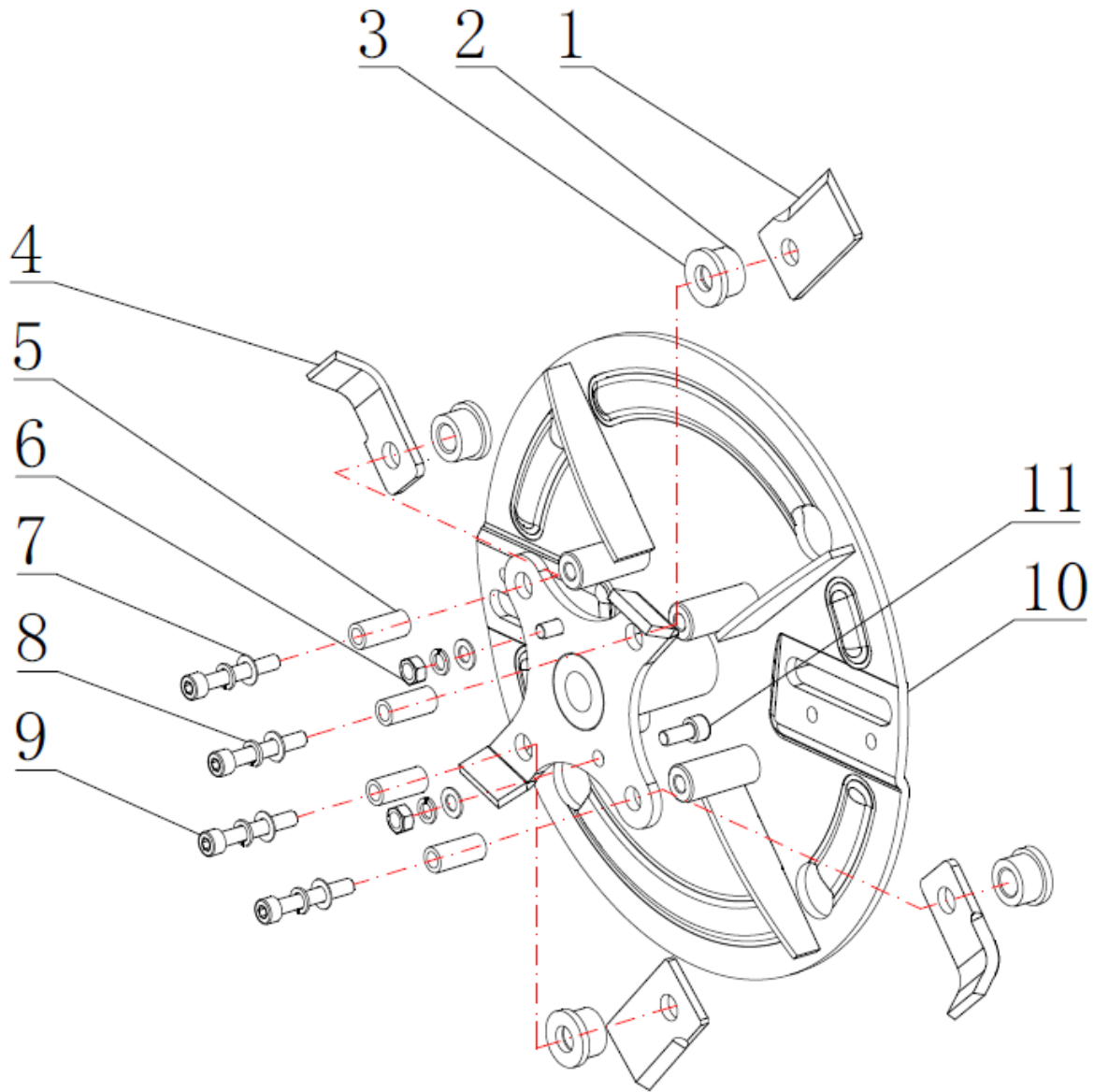


Picture may not reflect the exact model



No.	Code	Description	Qty
1	DUP91343	bolt(M8*16)	4
2	DUP843002-175	platen	1
3	DUP843017	Hopper flap	1
4	DUP843004-175	hopper	1
5	DUP91160	bolt(M6*12)	3
6	DUP90023	nut(M6)	17
7	DUP843001-175	handle	1
8	DUP91329	bolt (M6*16)	7
9	DUP843018	Hopper gaskets	1
10	DUP843007-175	outer shell	1
11	DUP94222	Flat pads(ϕ 8)	4
12	DUP90039	nut(M8)	4
13	DUP843006-175	panel	1
14	DUP843026	Cotter pins(ϕ 3*30)	2
15	DUP92299	Flat pads(ϕ 16* ϕ 30*3)	2
16	DUP843022	wheel	2
17	DUP94299	Spring-pads(ϕ 6)	3
18	DUP94220	Flat pads(ϕ 6)	9
19	DUP843011	Left pedal	1
20	DUP831205	nut	4
21	DUP843009	Left brake pad	1
22	DUP843025	Brake rubber blocks	2
23	DUP94217	Flat pads(ϕ 3.2)	4
24	DUP92435	screw(M3*20)	4
25	DUP843013-175	Axle assembly	1
26	DUP90063	nut(M5)	4
27	DUP814129	Delta knob	1
28	DUP94269	Spring-pads(ϕ 8)	17
29	DUP94057	Flat pads(ϕ 8.4*20*2)	3
30	DUP843010	Right brake pad	1
31	DUP843012	Right pedal	1
32	DUP91345	bolt(M8*20)	10
33	DUP91196	bolt(M8*80)	1
34	DUP843008-175	Discharge port cover	1
35	DUP90018	nut(M8)	1
36	DUP843014-175	Box lid	1
37	DUP91163	bolt(5/16-24UNF*136)	1
38	DUP94395	Step spacers(ϕ 30* ϕ 8.2*7)	1
39	DUP843024	Cutterhead assembly	1
40	DUP843027	blade	2
41	DUP91164	bolt(M8*25)	4

42	DUP91453	bolt(M8*85)	4
43	DUP843015-175	Cover plate	1
44	DUP843005-175	Chipper Chute	1
45	DUP843003-175	platen	1
46	DUP843019	Small hopper gaskets	1
47	DUP91159	bolt(M6*16)	8
48	DUP163002120011VN	motor	1
49	DUP90059	nut(M8)	25
50	DUP843016-175	support frame	1
51	DUP813015	Foot pads	2
52	DUP92367	bolt(M6*40)	2
53	DUP91359	bolt(M8*60)	4
54	DUP527604	Plugs	2
55	DUP843023-010	Connecting blocks	1
56	DUP246503	Crankshaft flat key(4.78*5*45.5)	1
57	DUP843028-015	Collection bags	1
58	DUP94041	Flat pads(ϕ 8.4*24*2)	8
59	DUP94366	Flat pads(ϕ 6 \times ϕ 12 \times 0.5)	4
60	DUP843030-175	rod	1
61	DUP816004	Locking pin	2
62	DUP843031-175	plate	1
63	DUP91370	bolt (M6*16)	4
64	DUP90060	nut (M6)	4
65	DUP91881	bolt (M8*16)	3



No.	Code	Description	Qty
1	DUP843042-008	Right-hand rotating blades	2
2	DUP843042-005	Spacer 1	4
3	DUP843042-015	Seal	4
4	DUP843042-003	Curved blade	2
5	DUP843042-007	Spacer 2	4
6	DUPGB/T889.1	M8 nuts	2
7	DUP843042-011	Flat cushion	6
8	DUP843042-012	Spring cushion	6
9	DUPGB/T 70.1-2000	M8x50 socket head cap screw	4
10	DUPGB/T 70.1-2000	M8x20 socket head cap screw	2
11			