

POWERED BY

# DUCAR

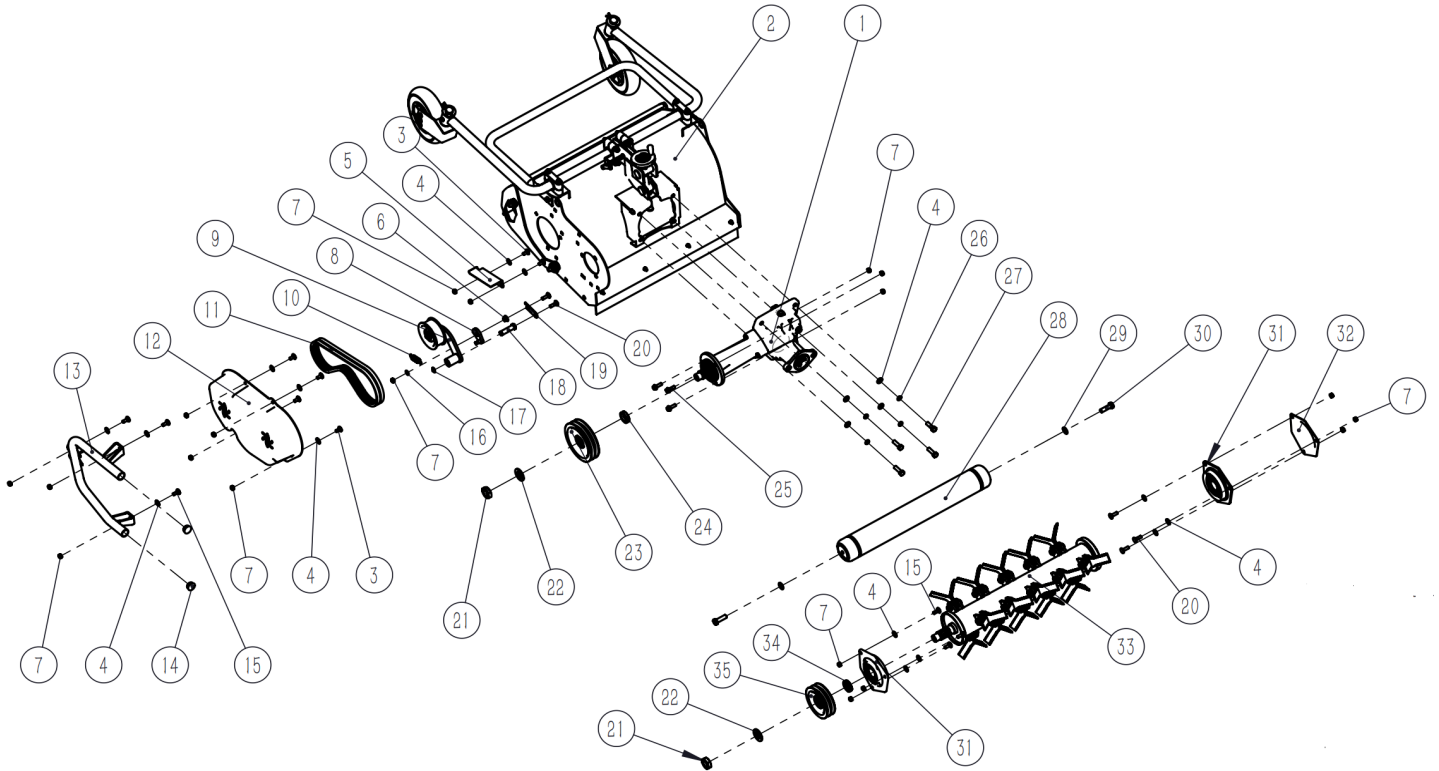
PROPULSÉ PAR

## 24" flail mower for DCS DUEDCS-FM24



## PARTS MANUAL

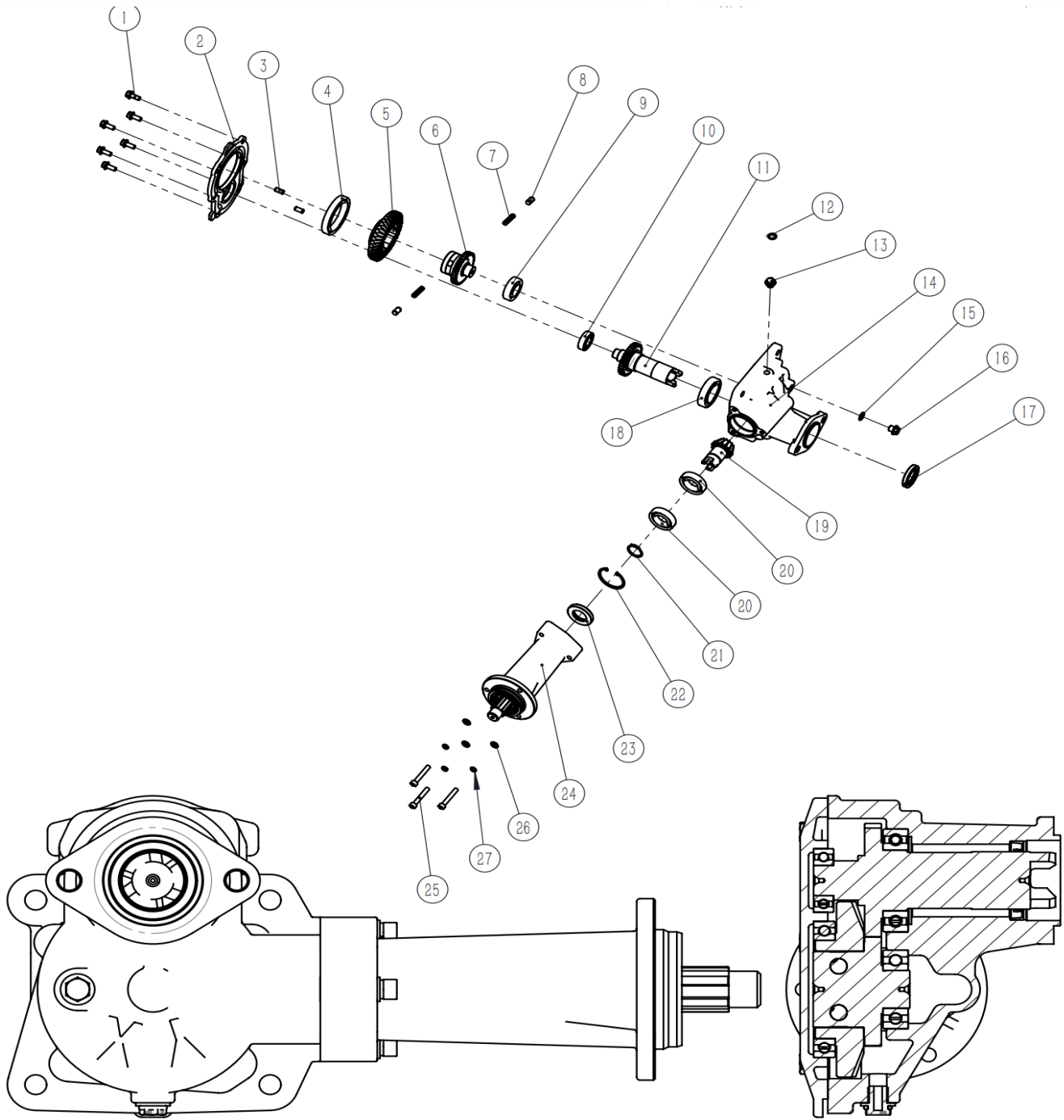
# FLAIL MOWER ASSEMBLY



## FLAIL MOWER ASSEMBLY

No.	Product code	Description	Quantity
1	DUPYX7SC600-010000	gear box assy	1
2	DUPYX7SC600-020000	machine body assy	1
3	DUPGB/T 801-1998	Small semicircle head low square neck bolt	6
4	DUPGB/T 97.1-2002	10 flat washer	19
5	DUPYX7SC600-030000	flail mower belt cover	1
6	DUPYX7SC600-040000	cam sleeve	1
7	DUPGB/T 6182-2010	Hexagon lock nut with non-metallic insert	19
8	DUPYX7SC600-050000	cam assy	1
9	DUPYX7SC600-060000	tention pulley adjust assy	1
10	DUPYX7SC600-070000	tention pulley spring	1
11	DUPGB/T 1171-2017	belt	2
12	DUPYX7SC600-080000	belt cover	1
13	DUPYX7SC600-090000	belt cover bumper	1
14	DUPYX7SC600-100000	plastic plug	2
15	DUPGB/T 801-1998	Small semicircle head low square neck bolt	6
16	DUPGB/T 97.1-2002	8 flat washer	1
17	DUPGB/T 894.1-1986	Axis with elastic retaining ring (d0≥10) 14	1
18	DUPYX7SC600-110000	tention pulley fix shaft	1
19	DUPYX7SC600-120000	screw lock	1
20	DUPGB/T 801-1998	Small semicircle head low square neck bolt	5
21	DUPGB/T 6173-2000	hexagon thin nut fine teeth	2
22	DUPGB/T 97.1-2002	flat washer 24	2
23	DUPYX7SC600-130000	big pulley	1
24	DUPYX7SC600-140000	pulley spacer	1
25	DUPGB/T 5789-1986	hexagon flange bolt	3
26	DUPGB/T 93-1987	elastic washer	4
27	DUPGB/T 5783-2000	hexagon screw full thread	4
28	DUPYX7SC600-15000000	rolley shaft assy	1
29	DUPGB/T 97.1-2002	12 flat washer	2
30	DUPGB/T 5781-2000	hexagon screw full thread	2
31	DUPYX7SC600-160000	bearing house assy	2
32	DUPYX7SC600-170000	bearing house cover	1
33	DUPYX7SC600-180000	mower blade assy	1
34	DUPYX7SC600-190000	pulley spacer 2	1
35	DUPYX7SC600-200000	small pulley	1

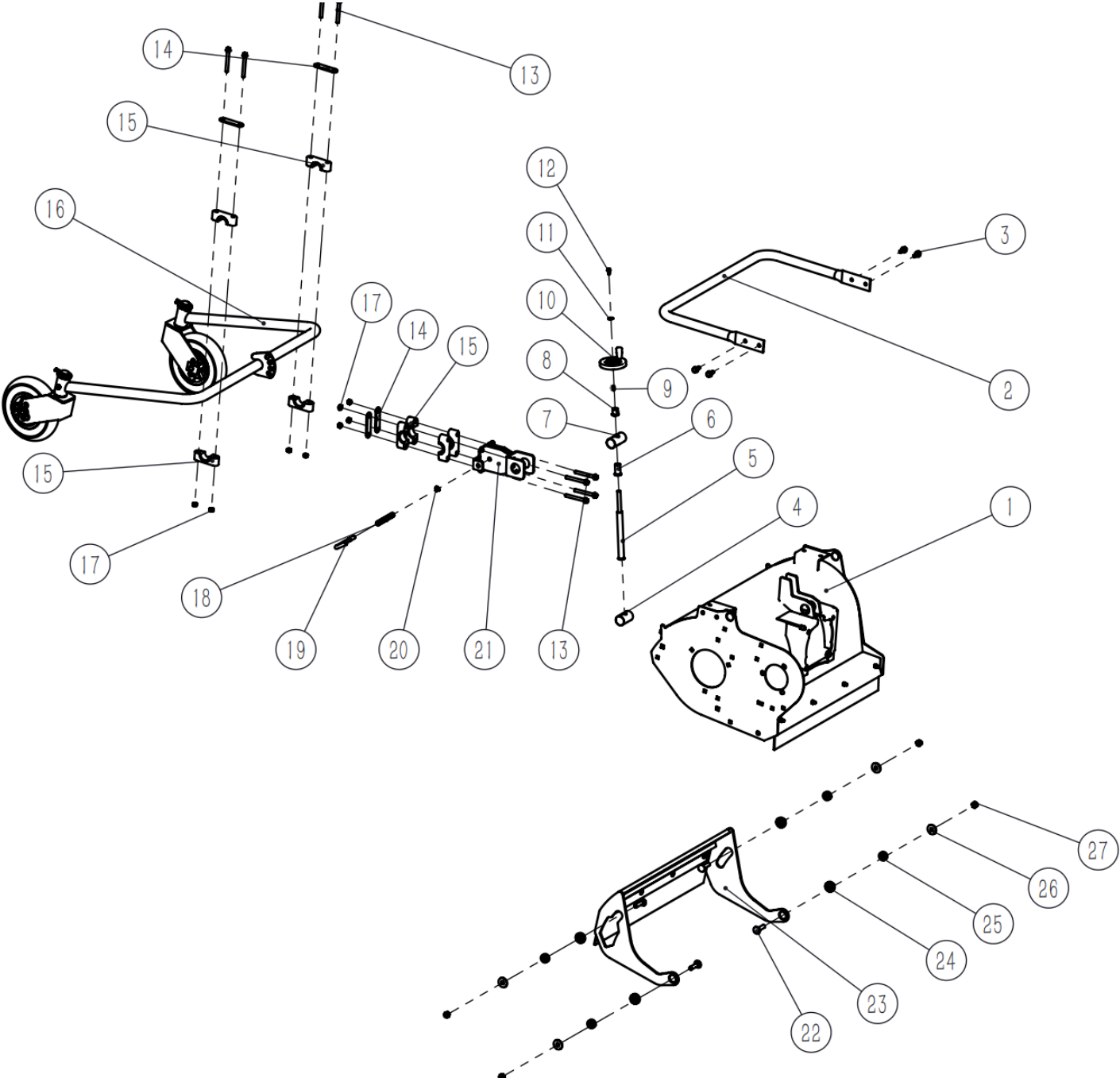
# GEAR BOX ASSEMBLY



## GEAR BOX ASSEMBLY

No.	Product code	Description	Quantity
1	DUPGB/T 5789-1986	hexagon flange bolt	6
2	DUPYX7SC600-010100	cover	1
3	DUPGB/T 119.2-2000	cylindrical pin 8X18	2
4	DUPGB/T 276-2013	deep groove ball bearing	1
5	DUPYX7SC600-010200	40 bevel gear	1
6	DUPYX7SC600-010300	35 gear core	1
7	DUPYX7SC600-010400	locating pin spring	2
8	DUPGB/T 119.1-2000	cylindrical pin 10X18	2
9	DUPGB/T 276-2013	deep groove ball bearing 6205	1
10	DUPGB/T 276-2013	deep groove ball bearing	1
11	DUPYX7SC600-010500	35 bearing shaft claw	1
12	DUPGB/T 3452.1-200	O type rubber ring 11.6x2.65	1
13	DUPJB/ZQ 4450-2006	Outer hexagon screw plug (with groove)	1
14	DUPYX7SC600-010600	gear box	1
15	DUPJB982-77	plug gland	1
16	DUPJB/ZQ 4450-2006	External hexagonal screw plug	1
17	DUPGB/T 13871.1-2007	Skeleton oil seal	1
18	DUPGB/T 276-2013	deep groove ball bearing	1
19	DUPYX7SC600-010700	14 bevel gear claw	1
20	DUPGB/T 276-2013	deep groove ball bearing 6006	2
21	DUPGB/T 894.1-1986	Axis with elastic retaining ring A type	1
22	DUPGB/T 893.1-1986	circlip for hole A type	1
23	DUPGB/T 13871.1-20	Skeleton oil seal	1
24	DUPYX7SC600-010800	transmission connect fixer assy	1
25	DUPGB/T 70.1-2008	inner hexagonal cylinder head screw	3
26	DUPGB/T 97.1-2002	8 flat washer	3
27	DUPGB/T 93-1987	elastic washer	3

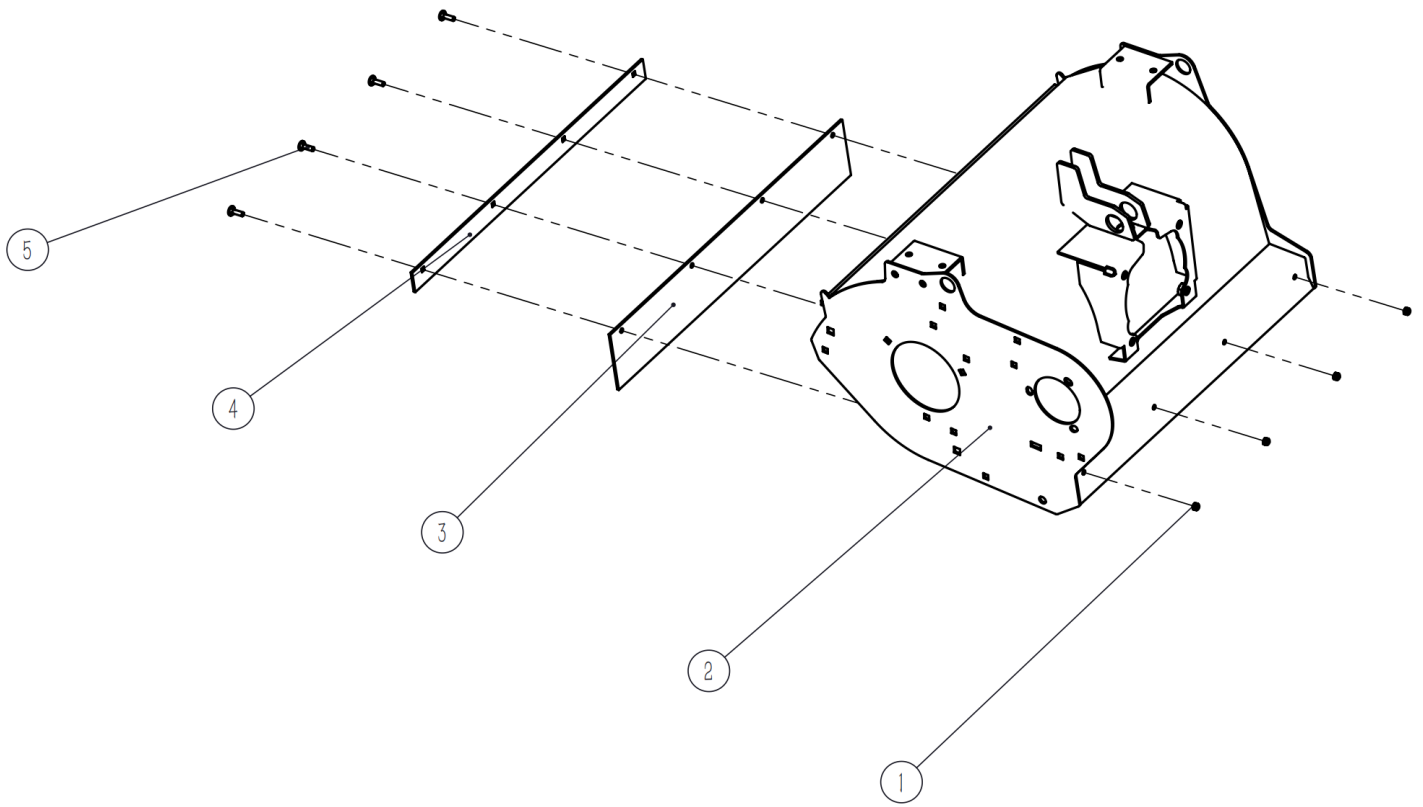
# MACHINE BODY



## MACHINE BODY

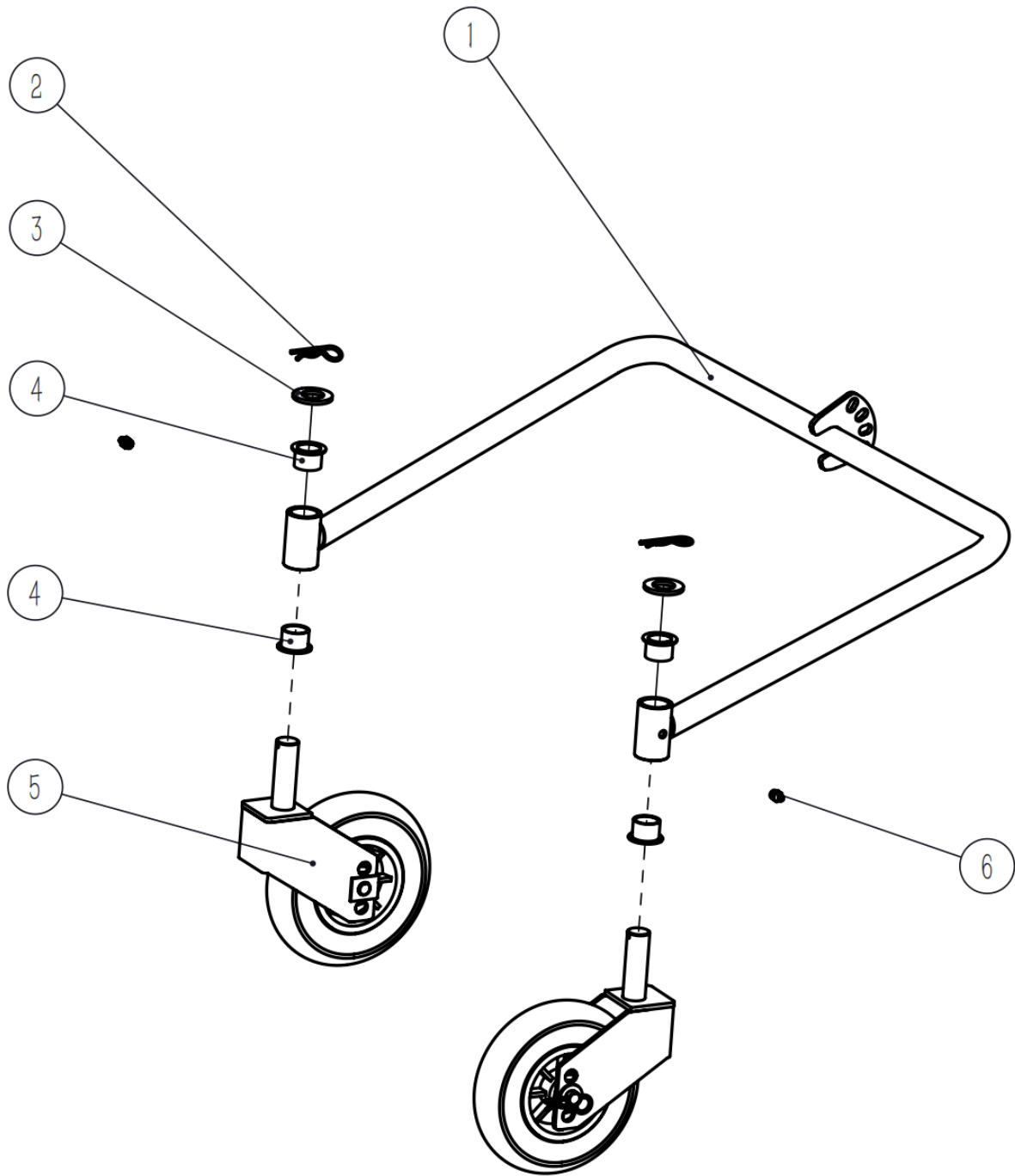
No.	Product code	Description	Quantity
1	DUPYX7SC600-020100	machine cover assy	1
2	DUPYX7SC600-020200	handle	1
3	DUPGB/T 5789-1986	hexagon flange bolt	4
4	DUPYX7SC600-020300	pin of lead screw no.1	1
5	DUPYX7SC600-020400	lead screw assy	1
6	DUPYX7SC600-020500	pin spacer	1
7	DUPYX7SC600-020600	pin of lead screw no.2	1
8	DUPYX7SC600-020700	handle spacer	1
9	DUPGB/T 1096-2003	flat key A type 3x3x14	1
10	DUPYX7SC600-020800	rotate handle	1
11	DUPGB/T 96.1-2002	big washer A type	1
12	DUPGB/T 5789-1986	hexagon flange bolt	1
13	DUPGB/T 16674.1-20	hexagon flange bolt M8X70	8
14	DUPYX7SC600-020900	plastic pipe clamping plate	4
15	DUPYX7SC600-021000	plastic pipe clamping	8
16	DUPYX7SC600-021100	support wheel assy	1
17	DUPGB/T 6182-2010	Hexagon lock nut with non-metallic insert	8
18	DUPYX7SC600-021200	pin spring	1
19	DUPYX7SC600-021300	pin	1
20	DUPGB/T 896-1986	split washer	1
21	DUPYX7SC600-021400	support wheel adjuster	1
22	DUPGB/T 801-1998	Small semicircle head low square neck bolt	4
23	DUPYX7SC600-021500	front cover assy	1
24	DUPYX7SC600-021600	front cover spacer	3
25	DUPYX7SC600-021700	oxtendon sleever	4
26	DUPGB/T 96.2-2002	big washer 10	4
27	DUPGB/T 6182-2010	Hexagon lock nut with non-metallic insert	4

# BODY COVER



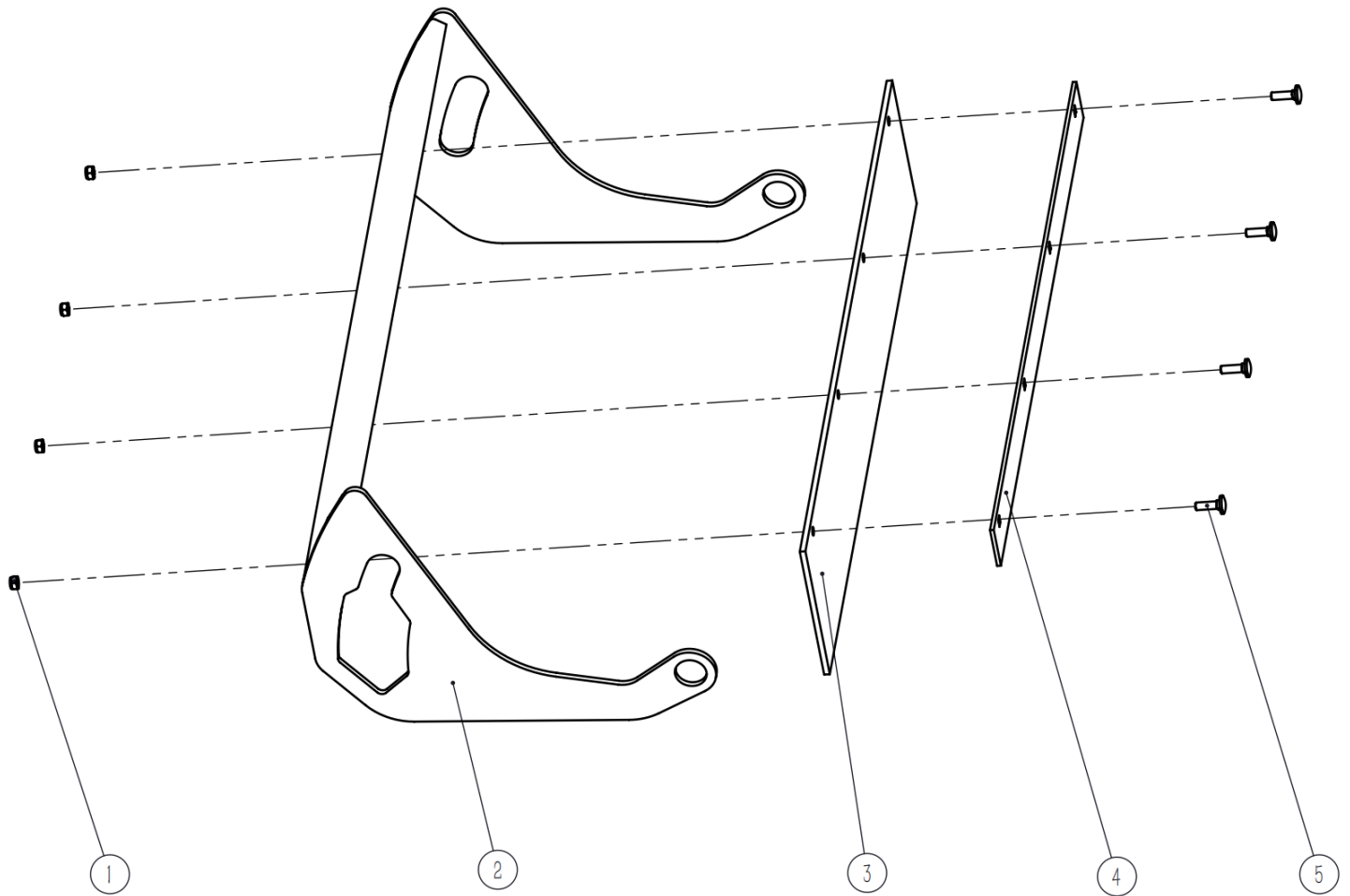
No.	Product code	Description	Quantity
1	DUPGB/T 6182-2010	Hexagon lock nut with non-metallic insert	4
2	DUPYX7SC600-020101	machine house assy	1
3	DUPYX7SC600-020102	back rubber	1
4	DUPYX7SC600-020103	mound layer	1
5	DUPGB/T 801-1998	semicircle head low square neck bolt	4

## SUPPORT WHEEL



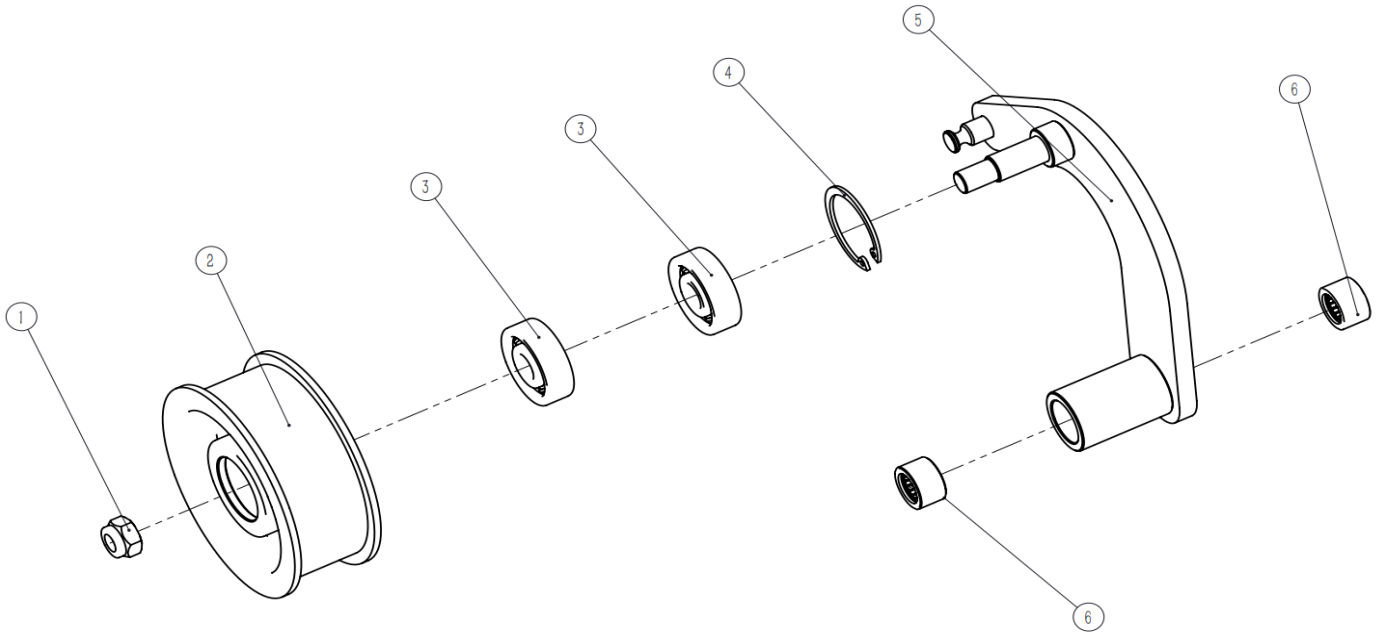
No.	Product code	Description	Quantity
1	DUPYX7SC600-021101	support wheel bracket	1
2	DUPQC/T623	B pin	2
3	DUPGB/T 97.1-2002	flat washer 24	2
4	DUPYX7PX-03070000	blade sleeve	4
5	DUPYX7SC600-021102	universal wheel assy	2
6	DUPCB/T 3762-1996	Cone lubricating oil mouth	2

# FRONT COVER



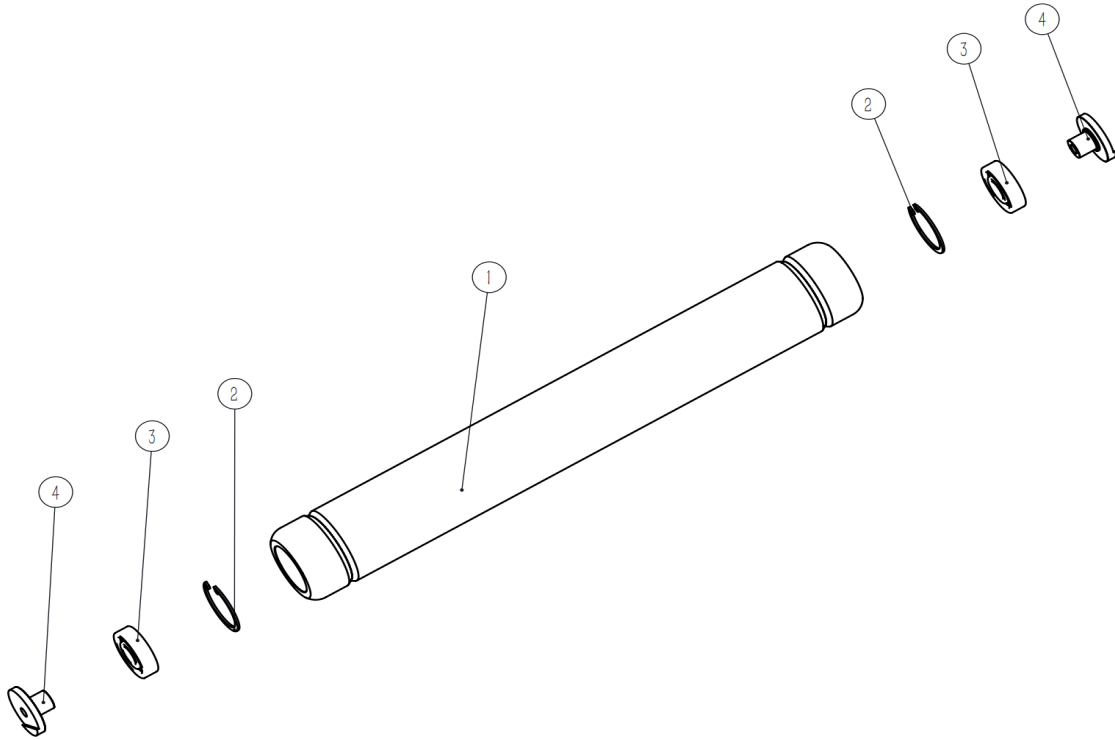
No.	Product code	Description	Quantity
1	DUPGB/T 6182-2010	Hexagon lock nut with non-metallic insert	4
2	DUPYX7SC600-021501	front cover assy	1
3	DUPYX7SC600-021502	front cover rubber	1
4	DUPYX7SC600-020103	rubber mound layer	1
5	DUPGB/T 801-1998	semicircle head low square neck bolt	4

# TENSION PULLEY



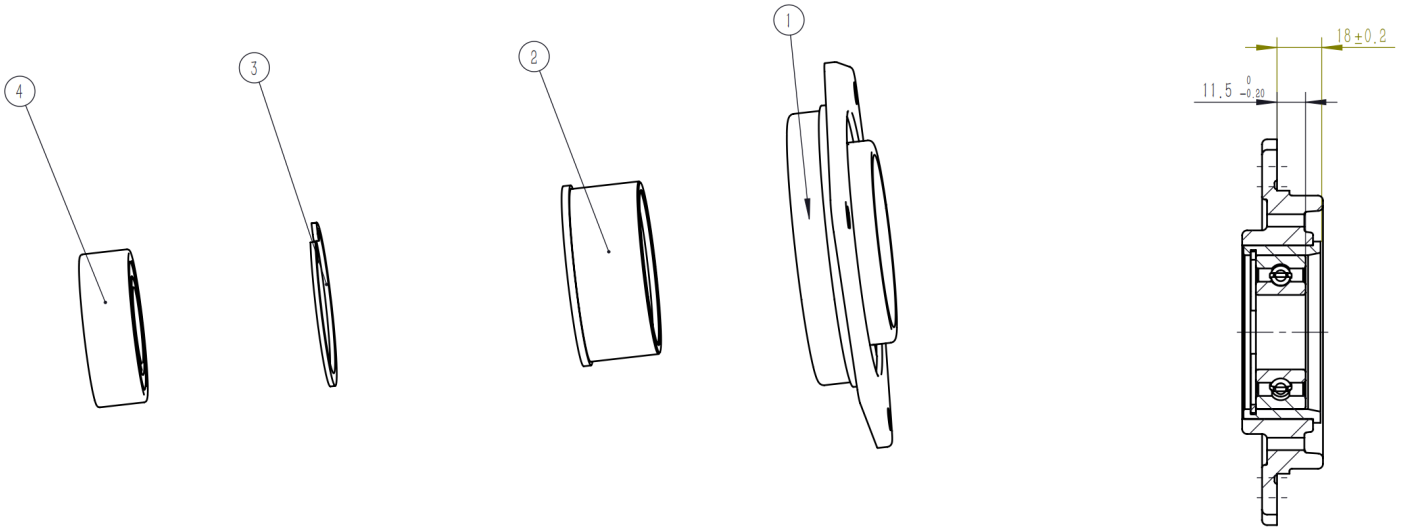
No.	Product code	Description	Quantity
1	DUPGB/T 6182-2010	Hexagon lock nut with non-metallic insert	1
2	DUPYX7SC600-060100	tention pulley	1
3	DUPGB/T 276-2013	deep groove ball bearing 6301	2
4	DUPGB/T 893-2017	circlip for hole	1
5	DUPYX7SC600-060200	tention pulley bracket assy	1
6	DUPGB/T 290-2017	needle bearing	2

# ROLLEY SHAFT



No.	Product code	Description	Quantity
1	DUPYX7SC600-150100	rolley shaft assy	1
2	DUPGB/T 893.1-1986	circlip for hole	2
3	DUPGB/T 276-2013	deep groove bearing 6304	2
4	DUPYX7SC600-150200	rolley shaft fix pin	2

# BEARING HOUSE



No.	Product code	Description	Quantity
1	DUPYX7SC600-160100	bearing house	1
2	DUPYX7SC600-160200	bearing house sleeve	1
3	DUPGB/T 893-2017	circlip for hole	1
4	DUPGB/T 276-2013	deep groove bearing 62206-2RS	1