

POWERED BY

DUCCAR

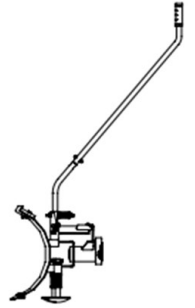
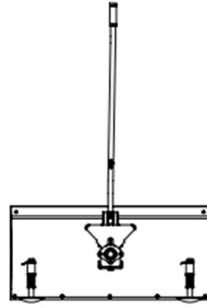
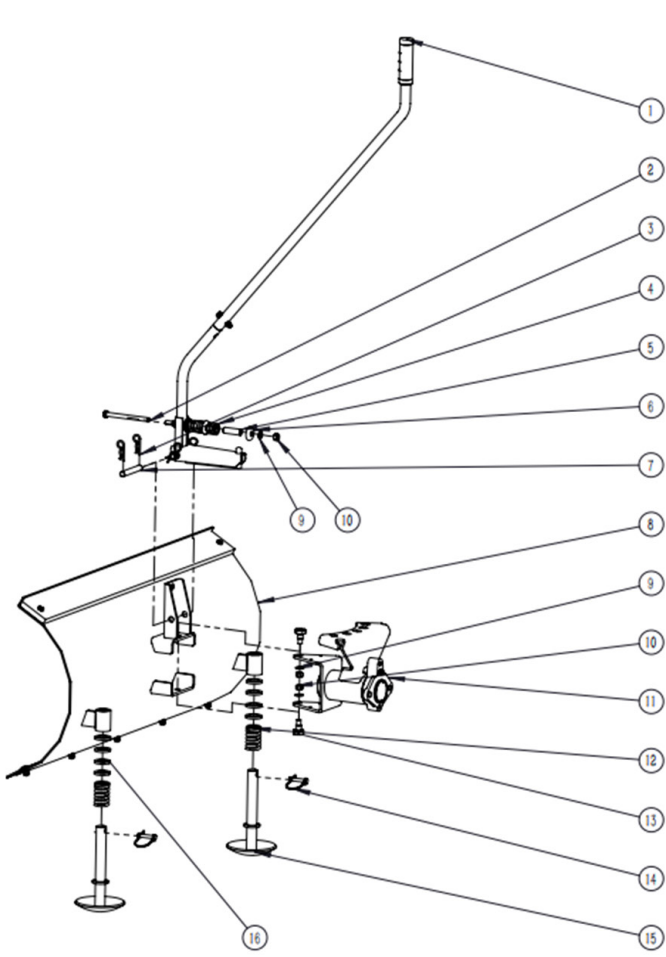
PROPULSÉ PAR

**40" Blade for DCS
DUEDCS-BE40**



PARTS MANUAL

BLADE ASSEMBLY



BLADE ASSEMBLY

No.	Product code	Description	Quantity
1	DUPYX7SX-03000000	steering base	1
2	DUPGB/T 5780-2016	Hex head bolt class C	1
3	DUPQC/T 623	Retractable latch	2
4	DUPYX7SX-03040000	plow reset spring	1
5	DUPYX7SX-03050000	plow reset spacer	1
6	DUPYX7SX-03010700	reset spring seat	1
7	DUPYX7SX-03060000	plow steering seat pin	1
8	DUPYX7CX-02000000	plow assembly	1
9	DUPGB/T 97.1-2002	flat washer	3
10	DUPGB/T 6184-2000	all-metallic embed Hexagon lock nut	3
11	DUPYX7CX-01000000	plow connect base assembly	1
12	DUPYX7SX-07040000	plow support spring	2
13	DUPYX7SX-01060000	connect base fix screw	2
14	DUPGB/T 119-1986	D-type pin	2
15	DUPYX7CX-04000000	plow support assembly	2
16	DUPYX7SX-07030000	plow support flat washer	8