

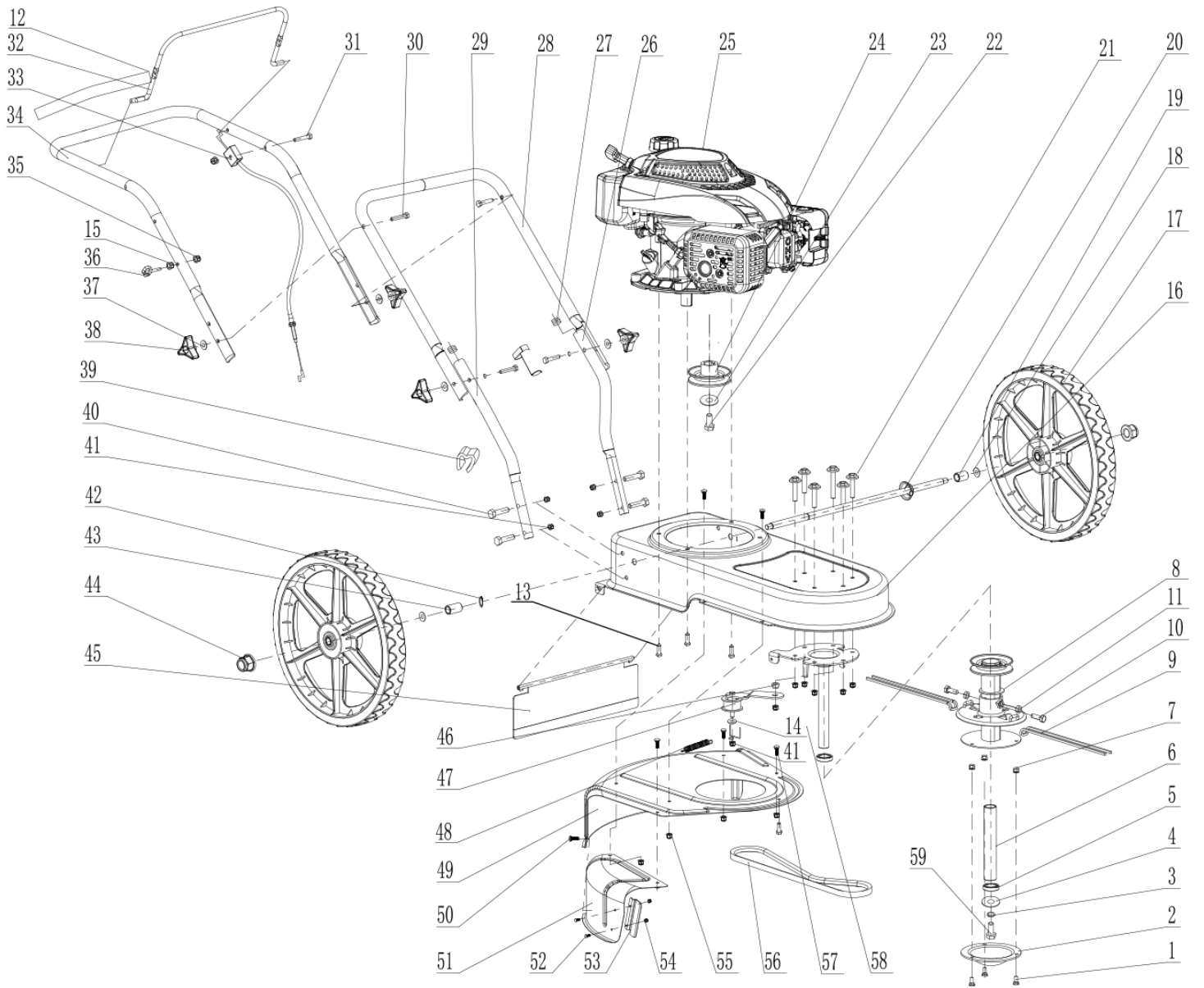
DUCAR

Equipment parts manual

Model : DUEDMT56 Walk-behind wheeled line trimmer



Picture may not reflect the exact model



No.	Code	Description	Qty
1	DUP90058	NUT M6	3
2	DUP624015	BUMP HEAD	1
3	DUP94040	SPRING WASHER	1
4	DUP96812	FLAT GASKET	1
5	DUP624012	BEARINGS	2
6	DUP624013	DRIVEN WHEEL JACKSHAFT	1
7	DUP91325	BOLT M6*12	4
8	DUP624029	MOWER HEAD ASSEMBLY	1
9	DUP622001	TRIMMER LINE	12
10	DUP91346	BOLT M8*25	2
11	DUP90011	NUT M8	2
12	DUP605007-053	SOFT GRIP	1
13	DUP92150	SCREW	3
14	DUP94258	FLAT GASKET 8×16×1.5	1
15	DUP90016	NUT M6	1
16	DUP621001	MOW GRASS PLATE	1
17	DUP624001	WHEEL	2
18	DUP94046	WASHER	2
19	DUP624003	REAR AXLE JACKSHAFT	1
20	DUP624002	REAR AXLE WELDING ASSEMBLY	1
21	DUP91979	BOLT M8*25	6
22	DUP91891	BOLT	1
23	DUP94042	WASHER	1
24	DUP624005	PULLEY ENGINE	1
25	DUP220001600325	ENGINE DVO160	1
26	DUP623006-207	THE PUSH ROD (LEFT)	1
27	DUP605006	PUSH DOWN THE PLUG	2
28	DUP623002-207	THE PUSH ROD	1
29	DUP623005-207	THE PUSH ROD (RIGHT)	1
30	DUP91868	SHAPED BOLT M8*45	4
31	DUP91870	SHAPED BOLT M6*33	1
32	DUP623010-010	FLAMEOUT LEVER	1
33	DUP623004	STALL LASSO	1
34	DUP623018-207	THE PUSH ROD	1
35	DUP90061	ACORN NUT M6	2
36	DUP605009	PULL ON THE ROPE TIED TO	1
37	DUP94041	WASHER	4
38	DUP605098-159	TRIANGLE KNOB	4
39	DUP605159	WIRE CLIP	1
40	DUP91347	BOLT M8*30	4
41	DUP90059	NUT M8	11

42	DUP94049	WASHER	1
43	DUP624004	WHEEL SPACER	1
44	DUP90057	NUT M10*1.5	2
45	DUP621002	TRAILING SHIELD	1
46	DUP624009	TENSION WHEEL BUSHING	1
47	DUP624024	TENSION WHEEL ASSEMBLY	1
48	DUP624048	TENSION TENSION SPRING	1
49	DUP622003-010	SHIELD	1
50	DUP92068	BOLT M6*10	2
51	DUP622004-010	SMALL SHIELD CAP	1
52	DUP91436	BOLT M5*8	2
53	DUP622002	LINE CUTTER	1
54	DUP90063	NUT M5	2
55	DUP90060	NUT M6	4
56	DUP624006	BELT	1
57	DUP91406	BOLT M6*14	4
58	DUP624010	JACKSHAFT	1
59	DUP91345	BOLT M8*20	1