

POWERED BY

DUCAR

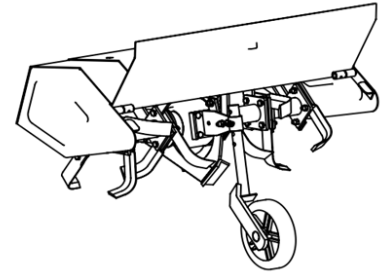
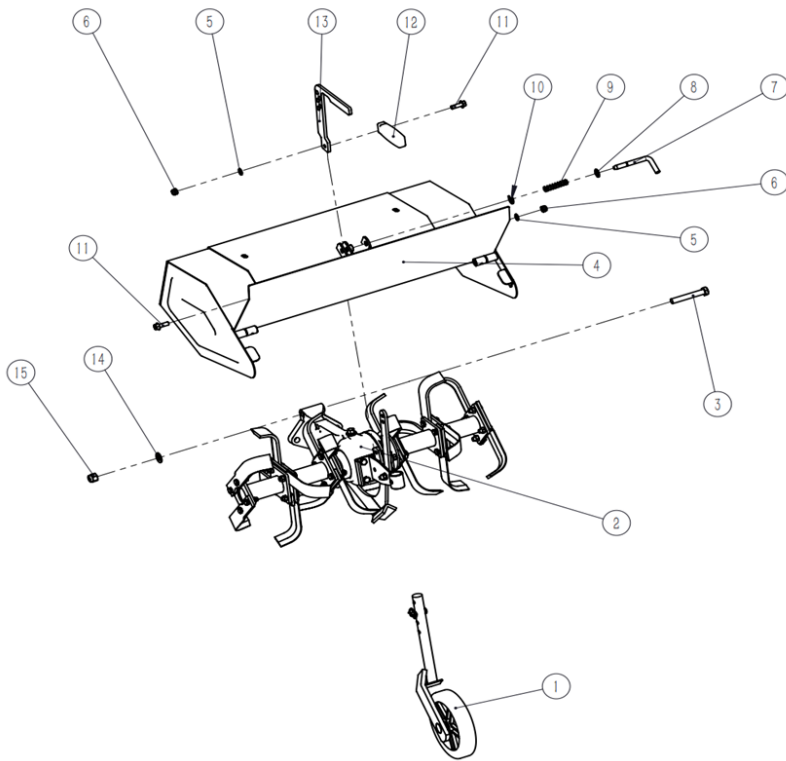
PROPULSÉ PAR

**28" tiller for DCS
DUEDCS-TI28**



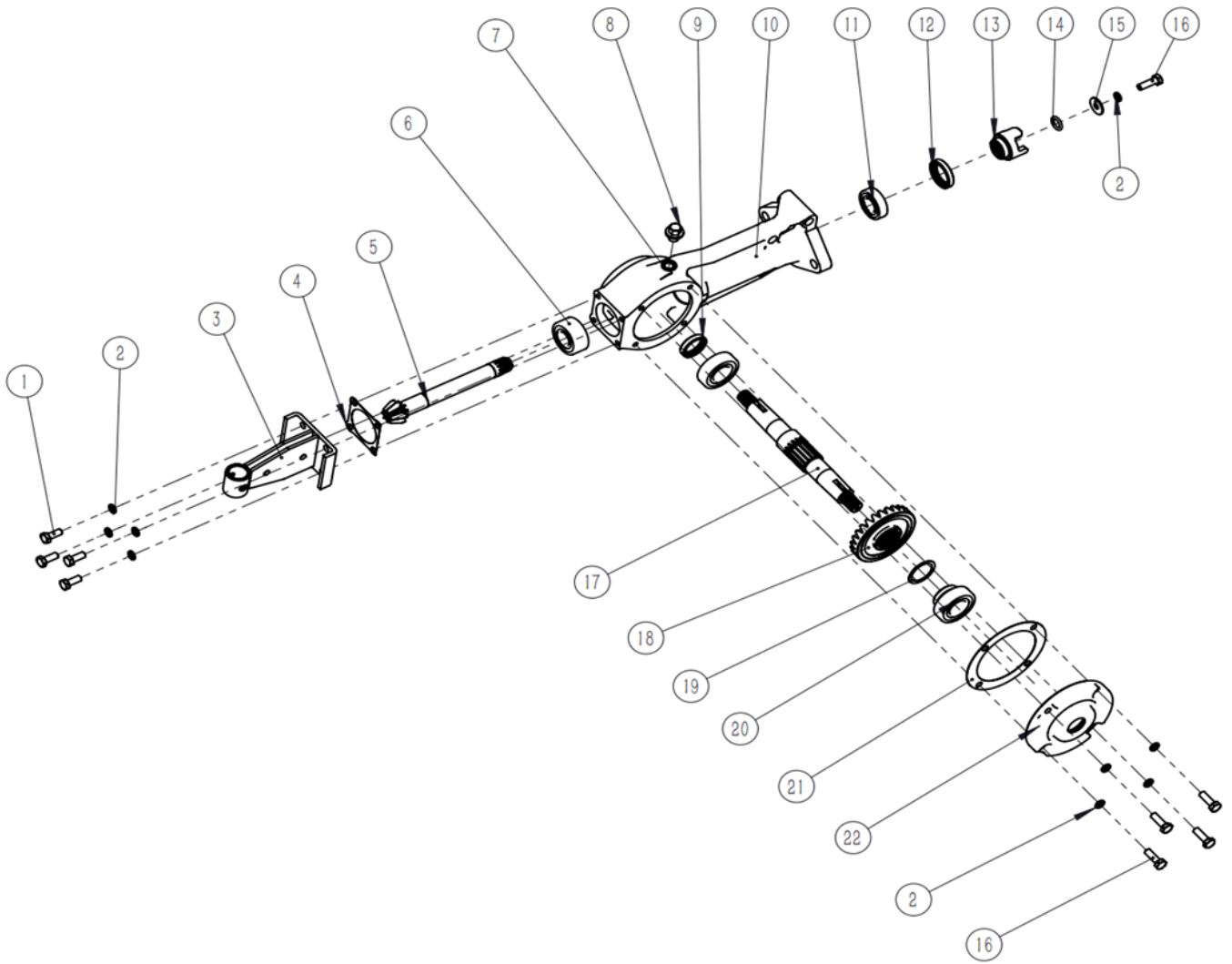
PARTS MANUAL

TILLER ASSEMBLY



No.	Product code	Description	Quantity
1	DUPYX7STB-0200000	tiller wheel assembly	1
2	DUPYX7STB-1700000	tiller blade support assembly	1
3	DUPGB/T 5782-2016	hexagon bolts M12X80	1
4	DUPYX7STB-16000000	mud guard assembly	1
5	DUPGB/T 97.1-2002	8 flat washwer	2
6	DUPGB/T 6182-2010	Hexagon lock nut with non-metallic Insert	2
7	DUPYX7STB-10000000	tiller limit pin	1
8	DUPGB/T 848-2002	10 flat washer	1
9	DUPYX7STB-11000000	tiller reset spring	1
10	DUPGB/T 896-1986	Open snap spring for shaft	1
11	DUPGB/T 5789-1986	Hexagon head flange bolts	2
12	DUPYX7STB-08000000	handle plastic cover	1
13	DUPYX7STB-07000000	adjustable handle	1
14	DUPGB/T 97.1-2002	12 flast washwer	1
15	DUPGB/T 6182-2016	Hexagon lock nut with non-metallic Insert	1

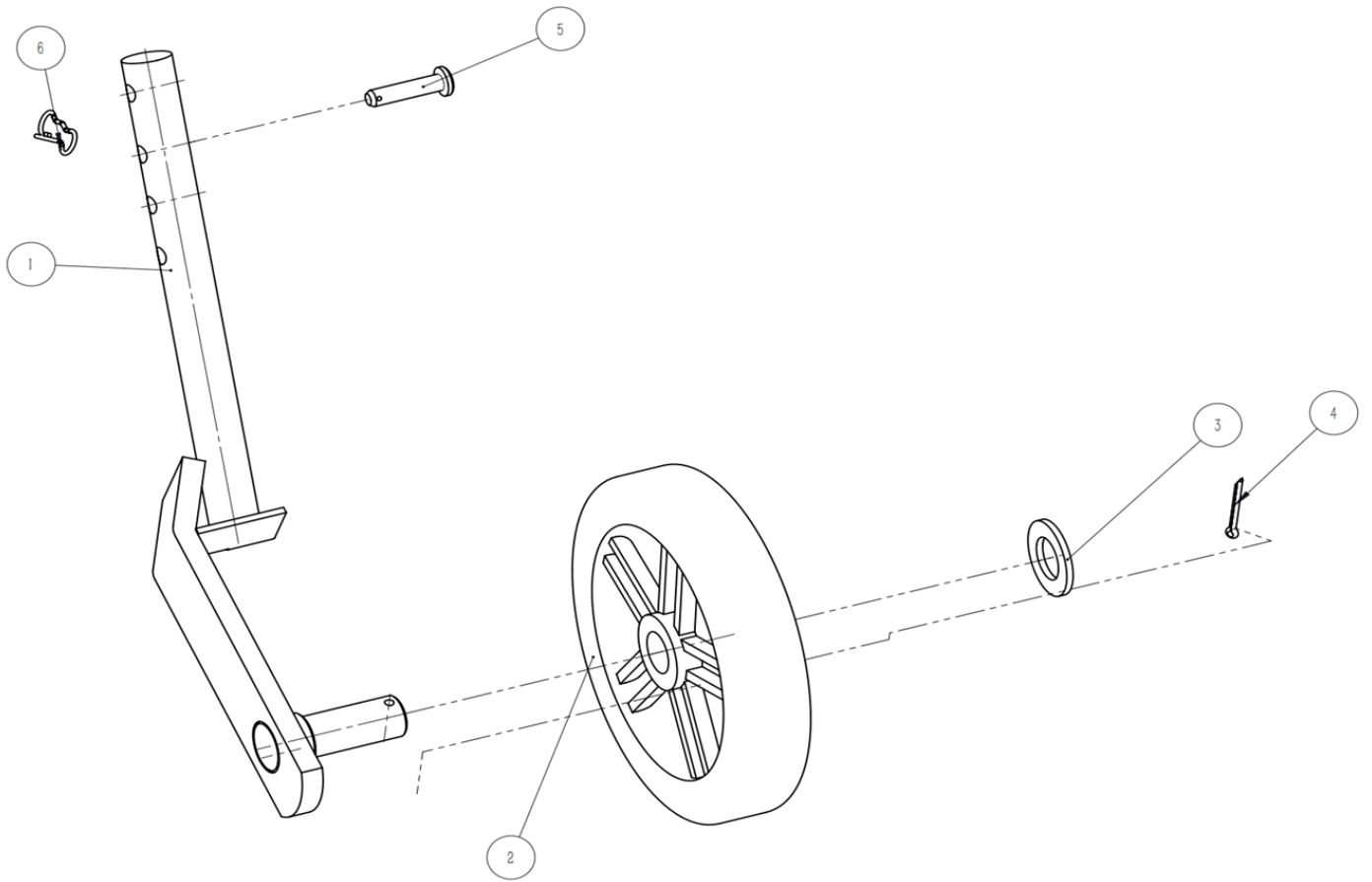
TILLER GEAR BOX ASSEMBLY



TILLER GEAR BOX ASSEMBLY

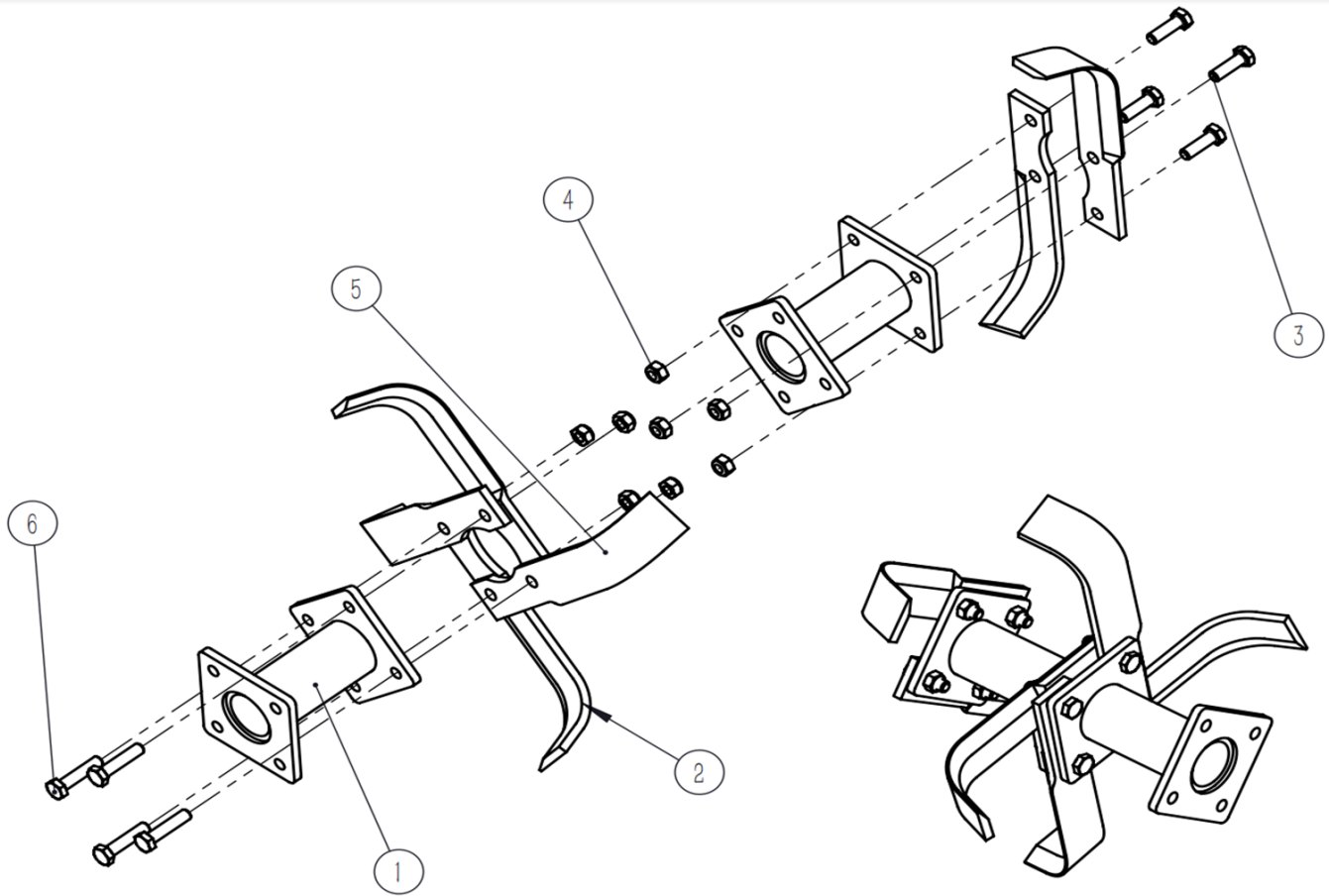
No.	Product code	Description	Quantity
1	DUPGB/T 5783-2000	hexagon bolt full thread	4
2	DUPGB/T93-1987	elastic washer	9
3	DUPYX7STB-01010000	connector assembly	1
4	DUPYX7SX-04090000	front cover gasket	1
5	DUPYX7STB-01020000	main shaft	1
6	DUPGB/T 276-2013	deep groove ball bearing	1
7	DUPJB982-77	plug gasket	1
8	DUPJB/ZQ 4450-2006	external hexagon bolt	1
9	DUPGB/T 13871.1-2007	skeleton oil seal	2
10	DUPYX7SX-01010000	gear box	1
11	DUPGB/T 276-2013	deep groove ball bearing	1
12	DUPGB/T 13871.1-2007	skeleton oil seal	1
13	DUPYX7SX-01010500	three claw connect sleeve	1
14	DUPGB/T 3452.1-2005	O type rubber seal ring	1
15	DUPGB/T 96.1-2002	8 big gasket	1
16	DUPGB/T 5783-2000	hexagon bolt full thread	5
17	DUPYX7SX-04050000	output shaft	1
18	DUPYX7SX-04030000	bevel gear	1
19	DUPYX7SX-04100000	bevel gear spacer	1
20	DUPGB/T 276-2013	deep groove ball bearing	2
21	DUPYX7SX-04060000	side cover gasket	1
22	DUPYX7SX-04040000	side cover	1

TILLER WHEEL SUPPORT ASSEMBLY



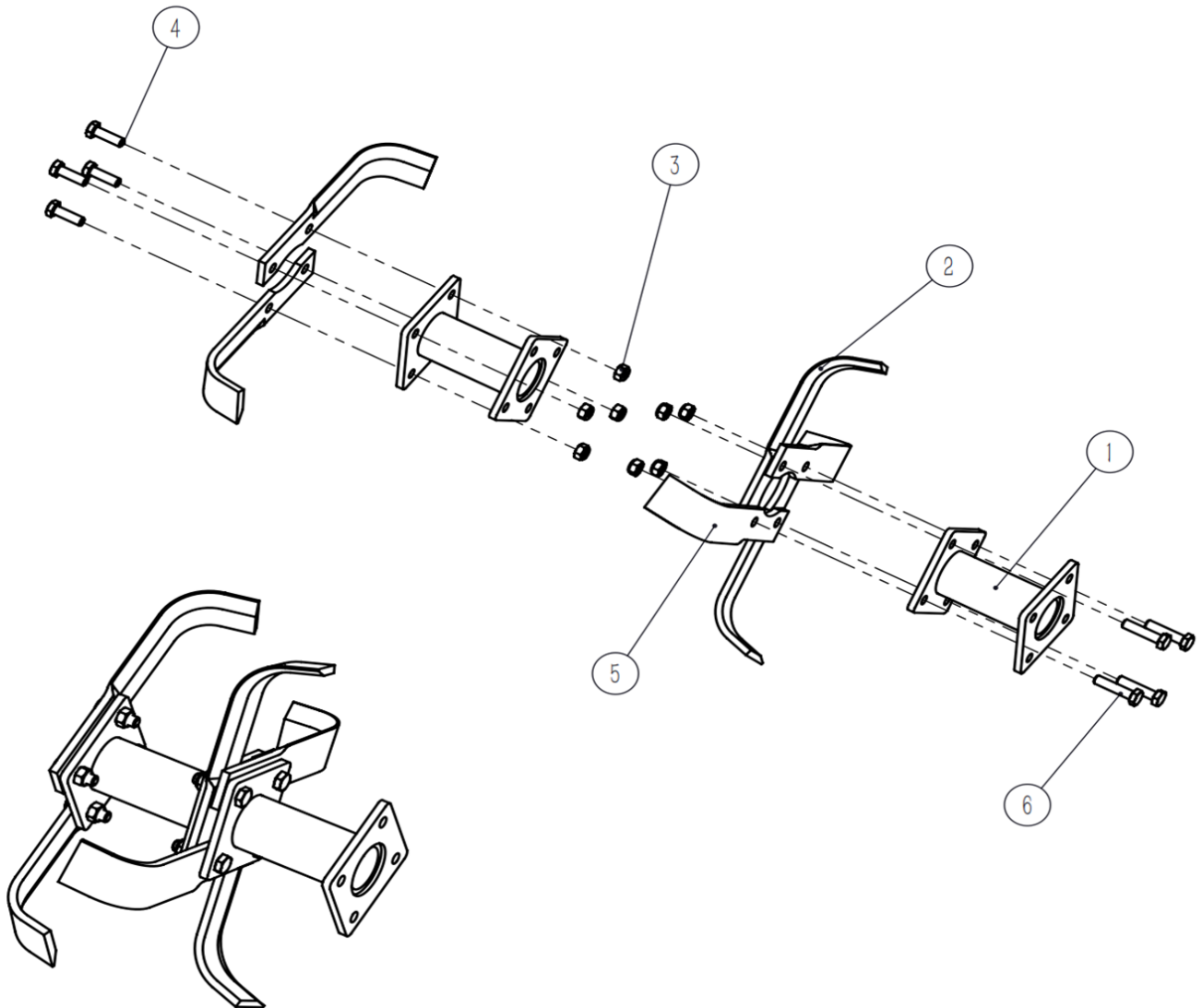
No.	Product code	Description	Quantity
1	DUPYX7STB-02010000	wheel support assembly	1
2	DUPYX7STB-02020000	7inch wheel	1
3	DUPGB/T 97.1-2002	20flat washer	1
4	DUPGB/T91-2000	split pin 3.2X28	1
5	DUPGB/T 882-2008	B pin 8X35	1
6	DUPQC/T 623	Retractable latch	1

RIGHT BLADE ASSEMBLY



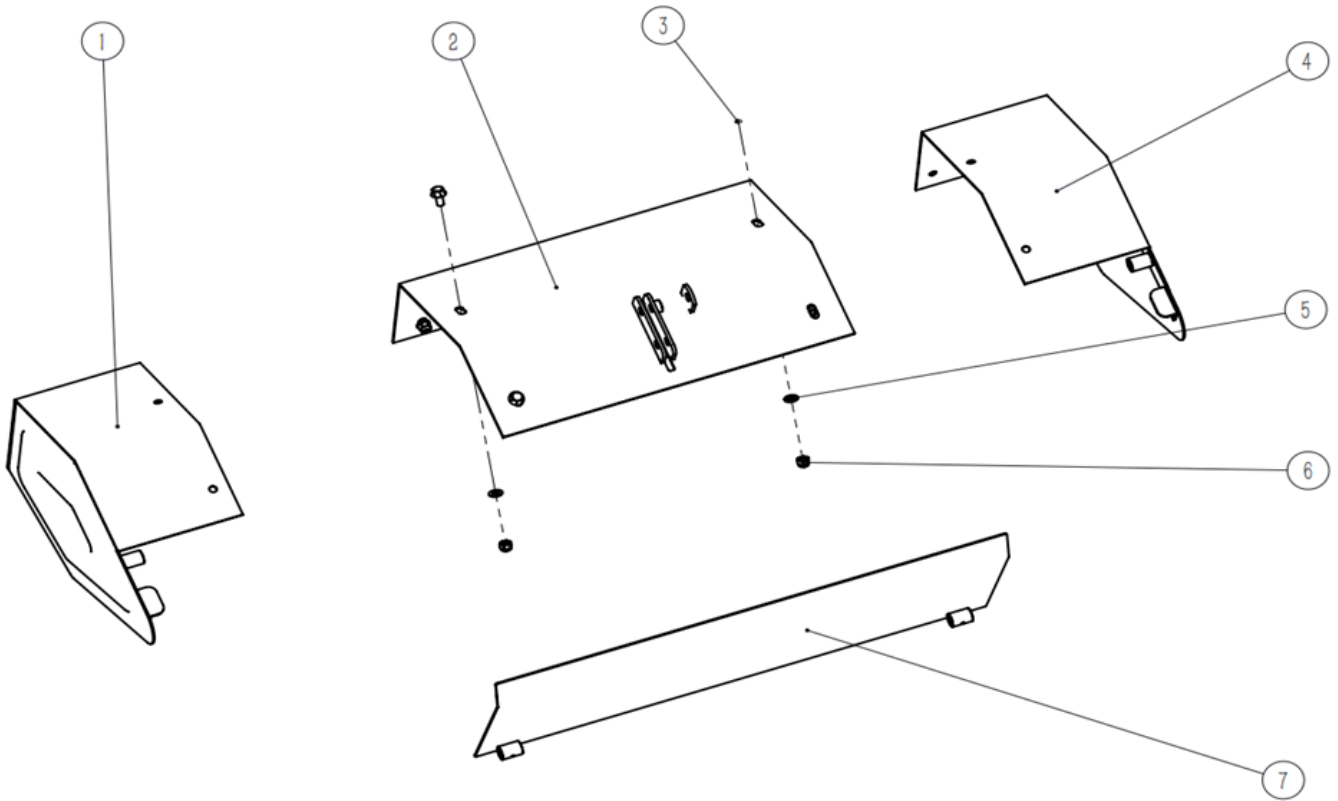
No.	Product code	Description	Quantity
1	DUPYX7STB-03010000	blade support assembly	2
2	DUPYX7STB-03020000	left blade	4
3	DUPGB/T 5781-2000	hexagon bolt full thread	4
4	DUPGB/T 6182-2010	Hexagon lock nut with non-metallic Insert	8
5	DUPYX7STB-03030000	right blade	2
6	DUPGB/T 5781-2000	hexagon bolt full thread	4

LEFT BLADE ASSEMBLY



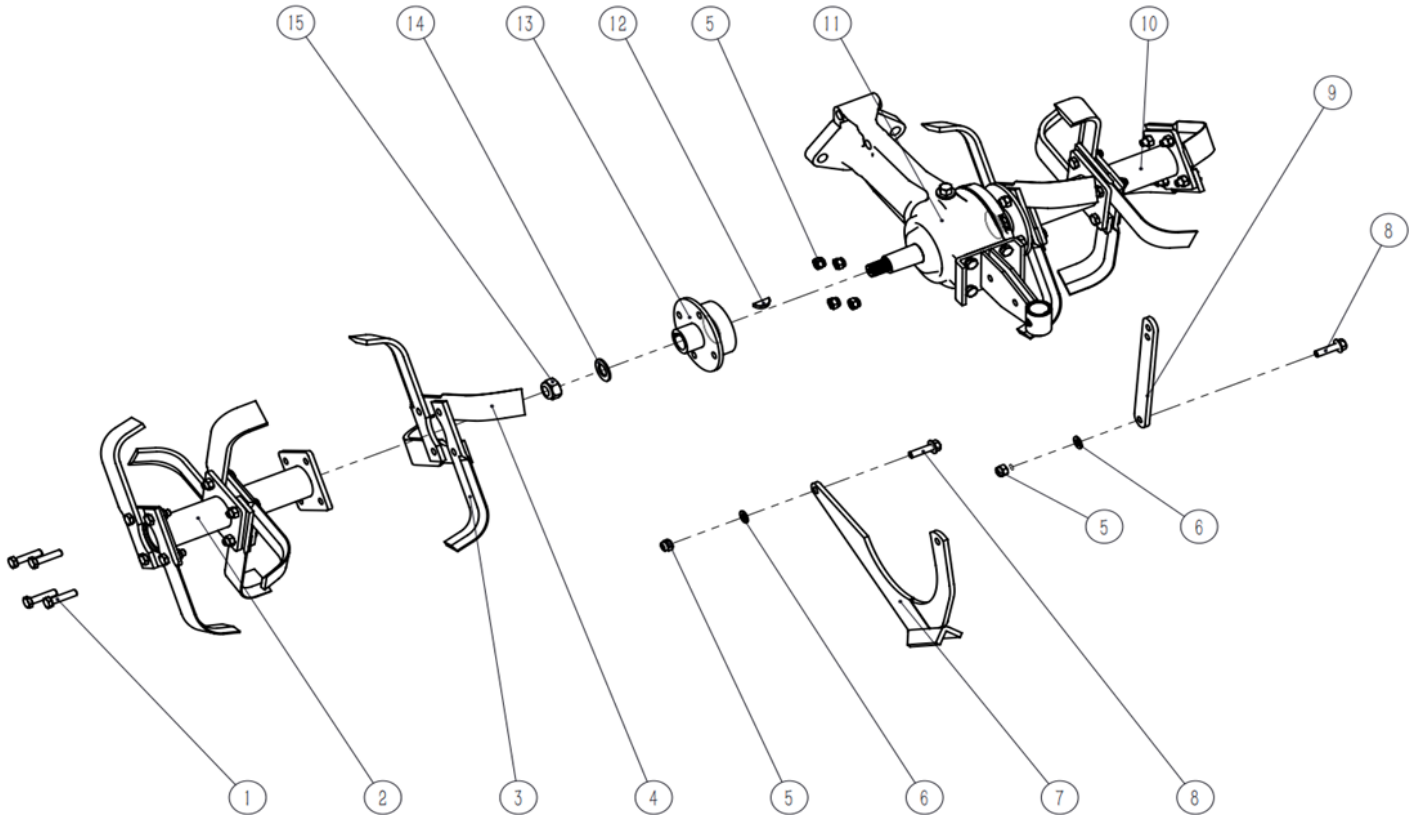
No.	Product code	Description	Quantity
1	DUPYX7STB-03010000	blade support assembly	2
2	DUPYX7STB-03030000	right blade	4
3	DUPGB/T 6182-2010	Hexagon lock nut with non-metallic Insert	8
4	DUPGB/T 5781-2000	hexagon bolt full thread	4
5	DUPYX7STB-03030000	left blade	2
6	DUPGB/T 5781-2000	hexagon bolt full thread	4

MUD GUARD ASSEMBLY



No.	Product code	Description	Quantity
1	DUPYX7STB-15000000	left side mud guard	1
2	DUPYX7STB-13000000	main mud guard	1
3	DUPGB/T 5789-1986	hexagon flange bolt	6
4	DUPYX7STB-09000000	right side mud guard	1
5	DUPGB/T 97.1-2002	8 flat washer	6
6	DUPGB/T 6182-2010	Hexagon lock nut with non-metallic Insert	6
7	DUPYX7STB-14000000	back mud guard	1

BLADE SUPPORT ASSEMBLY



No.	Product code	Description	Quantity
1	DUPGB/T 5781-2000	Hexagon bolts full thread	8
2	DUPYX7STB-03000000	right blade assembly	1
3	DUPYX7STB-03030000	right blade	4
4	DUPYX7STB-03020000	left blade	4
5	DUPGB/T 6182-2010	Hexagon lock nut with non-metallic Insert	10
6	DUPGB/T 97.1-2002	8 flat washer	2
7	DUPYX7STB-01030000	gear box adjust handle	1
8	DUPGB/T 5789-1986	Hexagon head flange bolts	2
9	DUPYX7STB-06000000	mud guard support	1
10	DUPYX7STB-05000000	left blade assembly	1
11	DUPYX7STB-01000000	tiller gear box assembly	1
12	DUPGB/T1099.1-2003	semicircle key	2
13	DUPYX7STB-04000000	blade connector	2
14	DUPGB/T 97.1-2002	16 flat washer	2
15	DUPGB/T 6182-2010	Hexagon lock nut with non-metallic Insert	2