

POWERED BY

DUCCAR

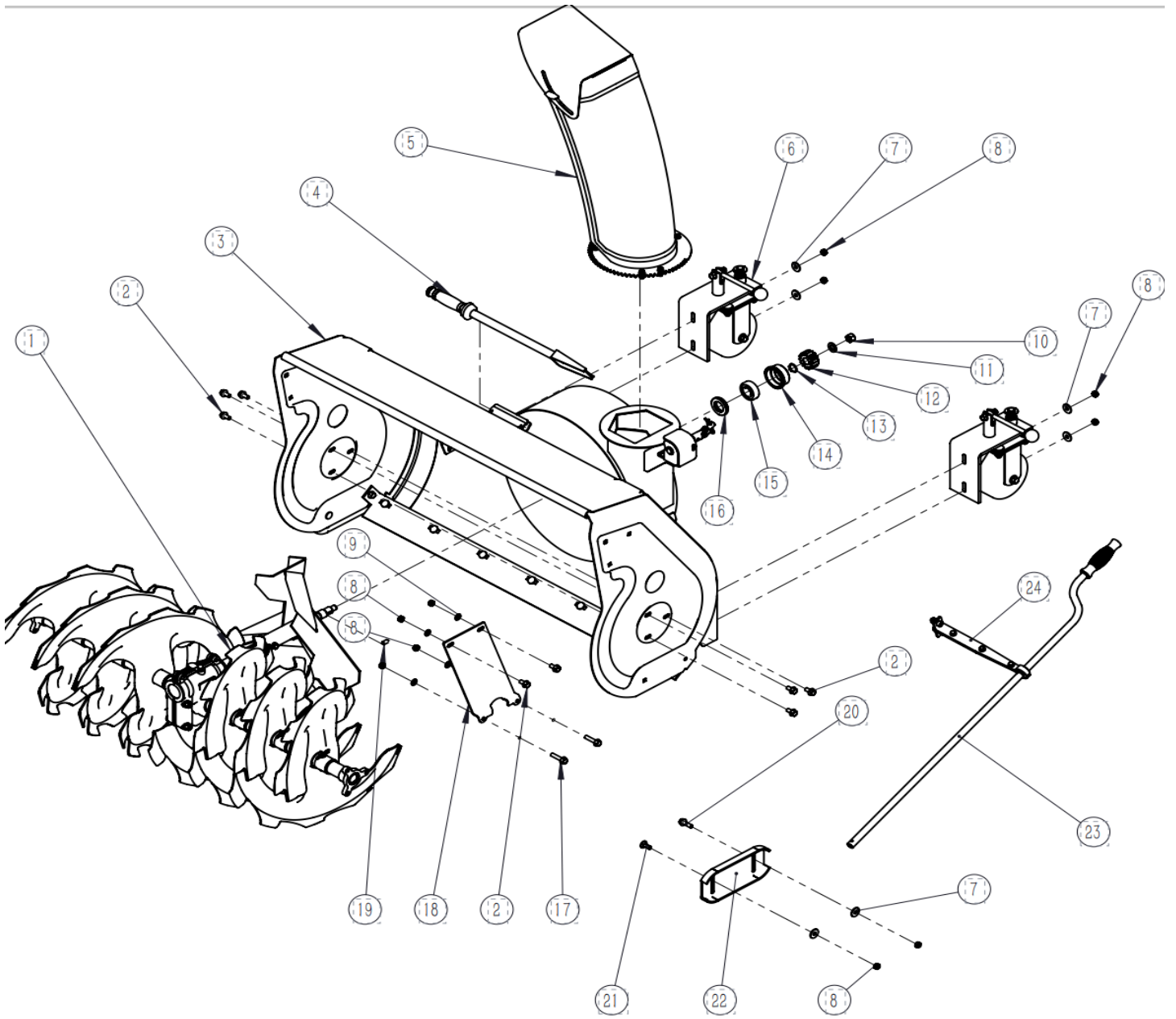
PROPULSÉ PAR

**40" Snow blower for DCS
DUEDCS-SB40**



PARTS MANUAL

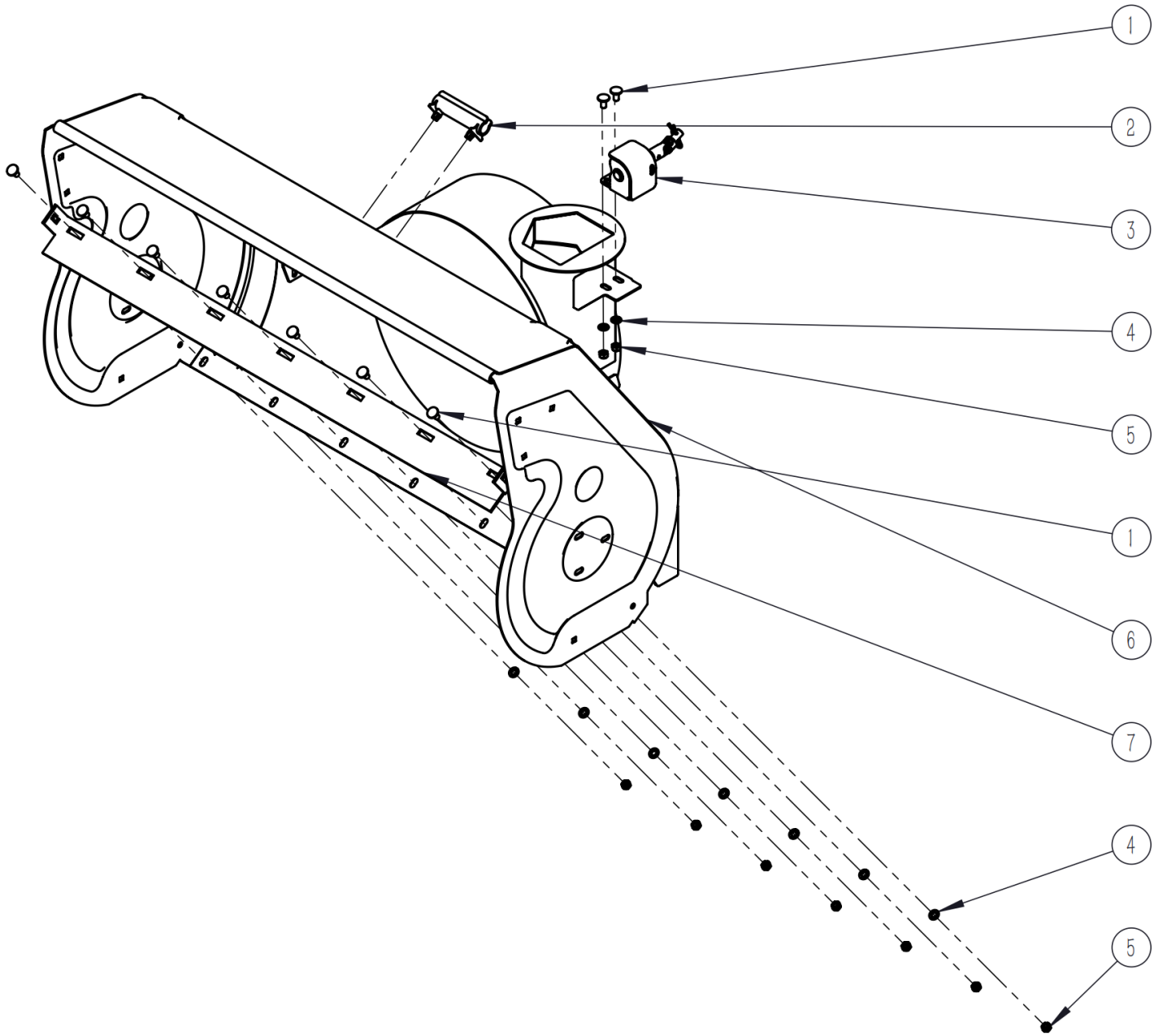
SNOW BLOWER ASSEMBLY - 1



SNOW BLOWER ASSEMBLY - 1

No.	Product code	Description	Quantity
1	DUPYX7PX-03000000	auger assy	1
2	DUPGB/T 5789-1986	hexagon flange bolt	8
3	DUPYX7PX-02000000	Snow collector assy	1
4	DUPYX7PX-02070000	Clean shovel assy	1
5	DUPYX7PX-04000000	snow chute assy	1
6	DUPYX7PX-06000000	Support wheel assy	2
7	DUPGB/T 96.1-2002	8 big washer	8
8	DUPGB/T 6182-2010	Hexagon lock nut with non-metallic insert	12
9	DUPGB/T 97.1-2002	8 flat washer	4
10	DUPGB/T6185.2-2000	All metal hexagon lock bolt fine thread	1
11	DUPGB/T 97.1-2002A	12 flat washer	1
12	DUPYX7PX-03120000	Fan shaft driven gear 14Z	1
13	DUPGB/T 894.1-1986	Axis with elastic retaining ring A type	1
14	DUPYX7PX-03110000	Fan shaft fix bearing seat	1
15	DUPGB/T 276-2013-3	deep groove bearing	1
16	DUPGB/T1387112007	Skeleton oil seal	1
17	DUPGB/T 5789-1986	hexagon flange bolt	2
18	DUPYX7PX-05000000	gear box connector (new style)	1
19	DUPGB/T 1096-2003	flat key A type	1
20	DUPGB/T 5789-1986	hexagon flange bolt	2
21	DUPGB/T 801-1998	semicircle head low square neck bolt	2
22	DUPYX7PX-02030000	skid	2
23	DUPYX7PX-02050000	snow thrower adjust rocker assy	1
24	DUPYX7PX-02040800	Snow thrower adjust rocker bracket fix assy	1

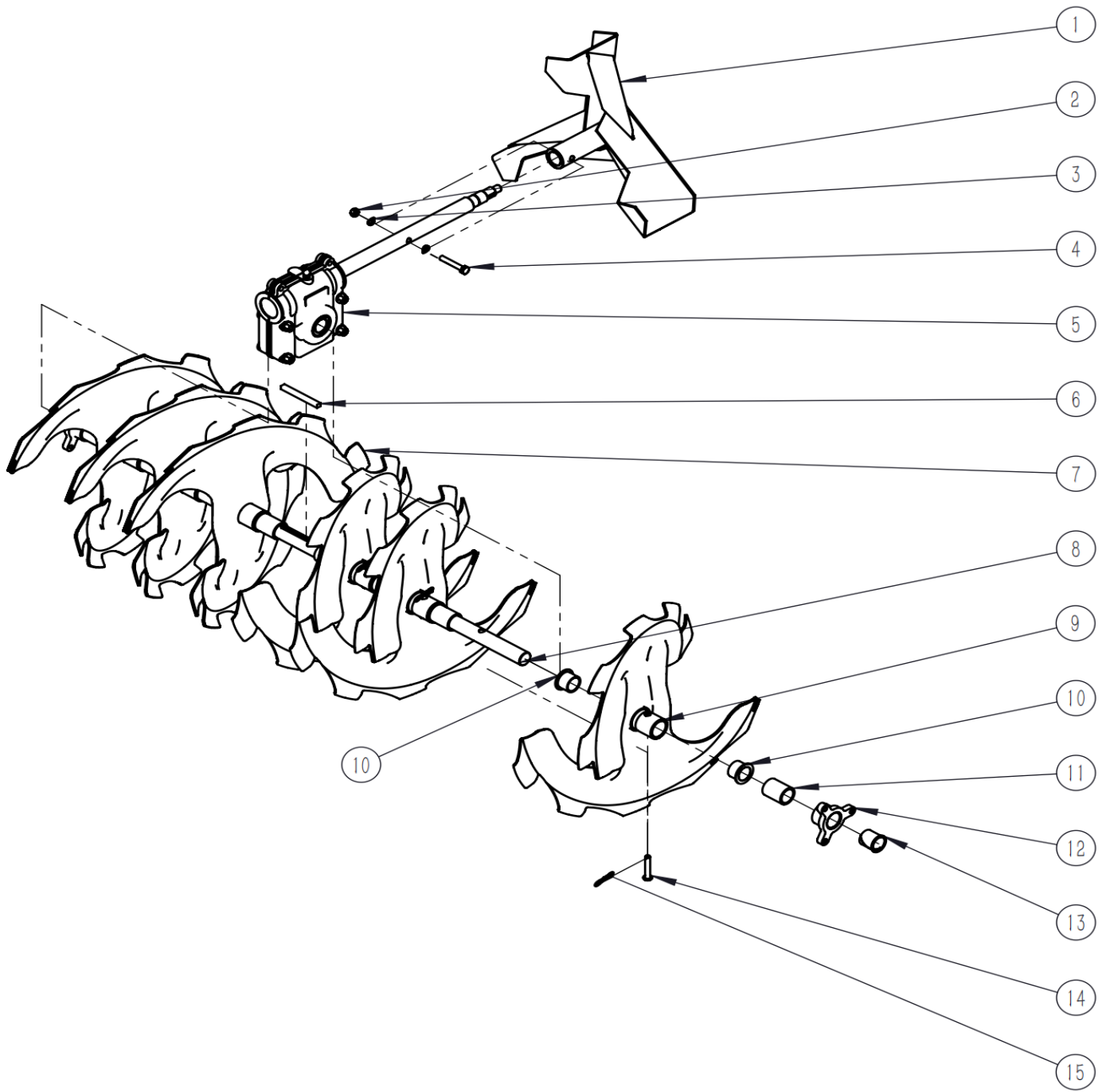
SNOW BLOWER ASSEMBLY - 2



SNOW BLOWER ASSEMBLY - 2

No.	Product code	Description	Quantity
1	DUPGB/T 801-1998	semicircle head low square neck bolt	9
2	DUPYX7PX-02060000	Clean rod holder	1
3	DUPYX7PX-02040000	snow chute adjust seat assy	1
4	DUP2010GB/T 97.1-2002	8 flat washer	9
5	DUPGB/T 6182-	Hexagon lock nut with non-metallic insert	9
6	DUPYX7PX-02010000	Snow collector component	1
7	DUPYX7PX-02020000	clean plate	1

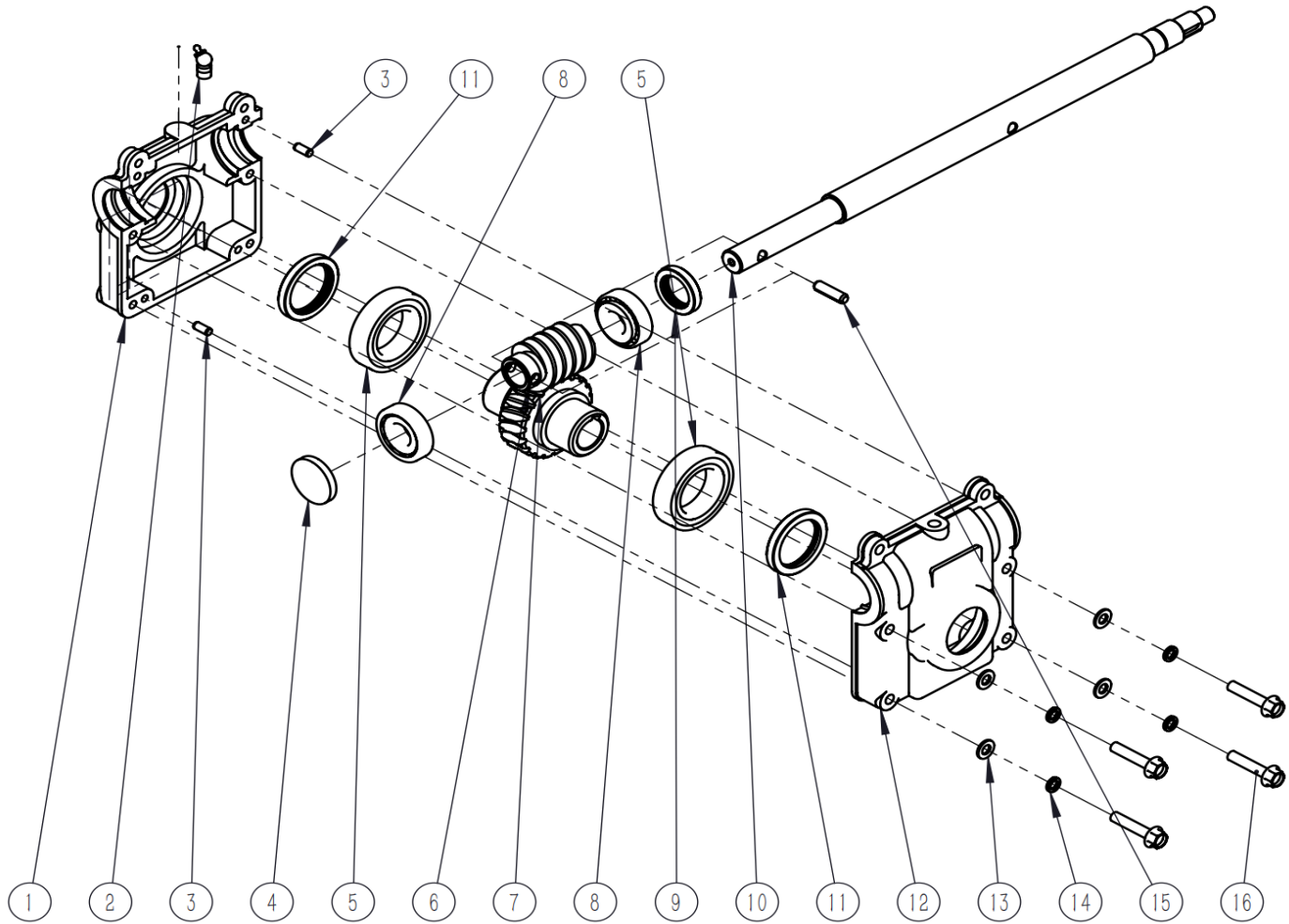
AUGER ASSEMBLY



AUGER ASSEMBLY

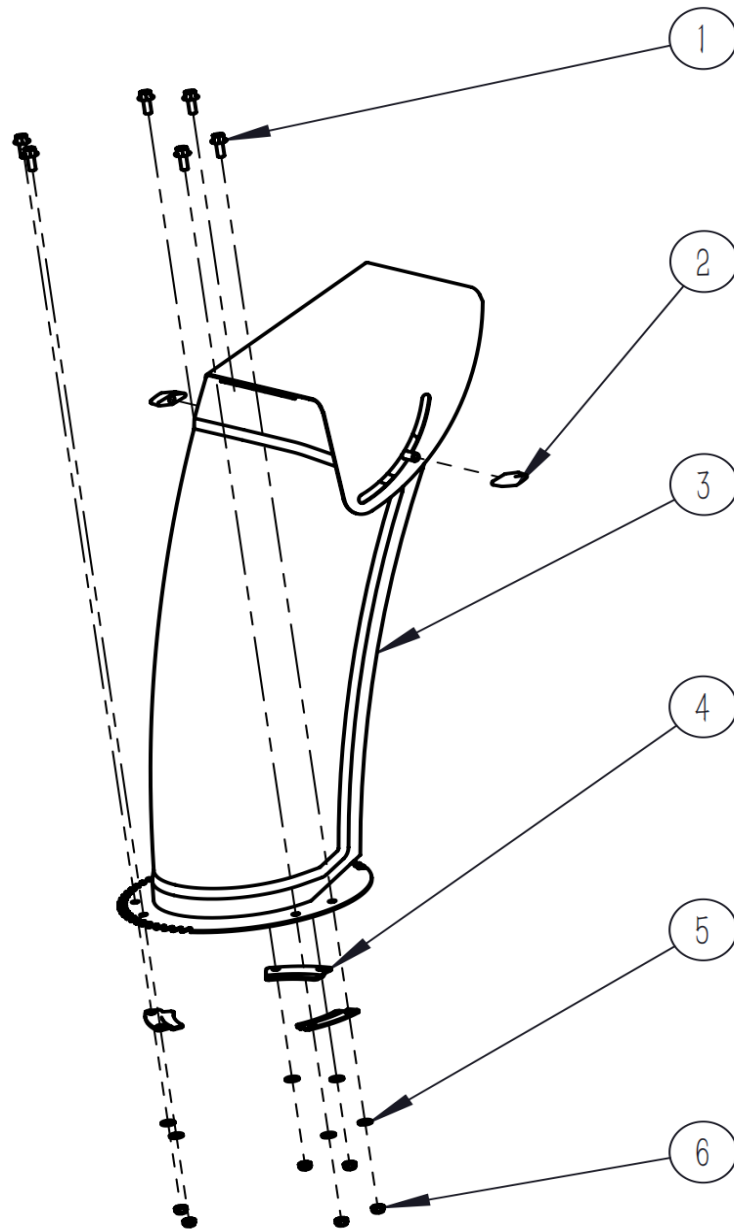
No.	Product code	Description	Quantity
1	DUPYX7PX-03100000	fan component	1
2	DUPGB/T 6182-2010	Hexagon lock nut with non-metallic insert	1
3	DUPGB/T 955-1987	Wave elastic washer	2
4	DUPGB/T 5782-2000	hexagon headed bolt	1
5	DUPYX7PX-03010000	gear box assy	1
6	DUPGB/T 1096-2003	flat key B type	1
7	DUPYX7PX-03040000	right auger assy	3
8	DUPYX7PX-03020000	auger shaft	1
9	DUPYX7PX-03030000	left auger assy	3
10	DUPYX7PX-03070000	auger bush	12
11	DUPYX7PX-03080000	auger shaft spacer	8
12	DUPYX7PX-03050000	auger shaft fix seat	2
13	DUPYX7PX-03060000	auger shaft fix seat bush	2
14	DUPGB/T 882-2008	pin shaft B	6
15	DUPQC/T 623	Retractable latch	6

GEAR BOX ASSEMBLY



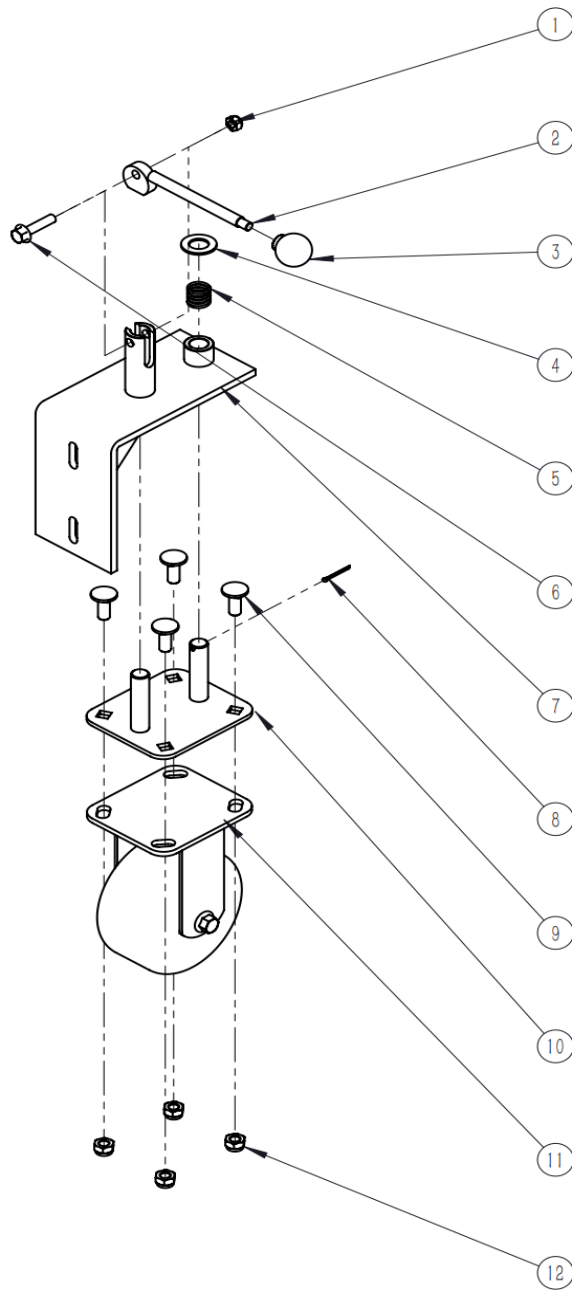
No.	Product code	Description	Quantity
1	DUPYX7PX-03010100	gear box house left	1
2	DUPJB/T7940.1-1995	Pressure oil cup	1
3	DUPGB/T 119.2-2000	cylindrical pin	2
4	DUPYX7PX-03010600	gear box rear cover	1
5	DUPGB/T 276-2013	deep groove bearing	2
6	DUPYX7PX-03010400	Worm shaft	1
7	DUPYX7PX-03010500	Worm gear	1
8	DUPGB/T 297-2015	Tapered roller bearing	2
9	DUPGB/T 13871.1-2007	Skeleton oil seal	1
10	DUPYX7PX-03010300	fan shaft	1
11	DUPGB/T 13871.1-2007	Skeleton oil seal	2
12	DUPYX7PX-03010200	gear box house right	1
13	DUPGB/T 97.1-2002	8 flat washer	4
14	DUPGB/T 93-1987	elastic washer	4
15	DUPGB/T 879.1-2000	elastic cylindrical pin straight flute heavy duty	1
16	DUPGB/T 5789-1986	hexagon flange bolt	4

SNOW CHUTE ASSEMBLY



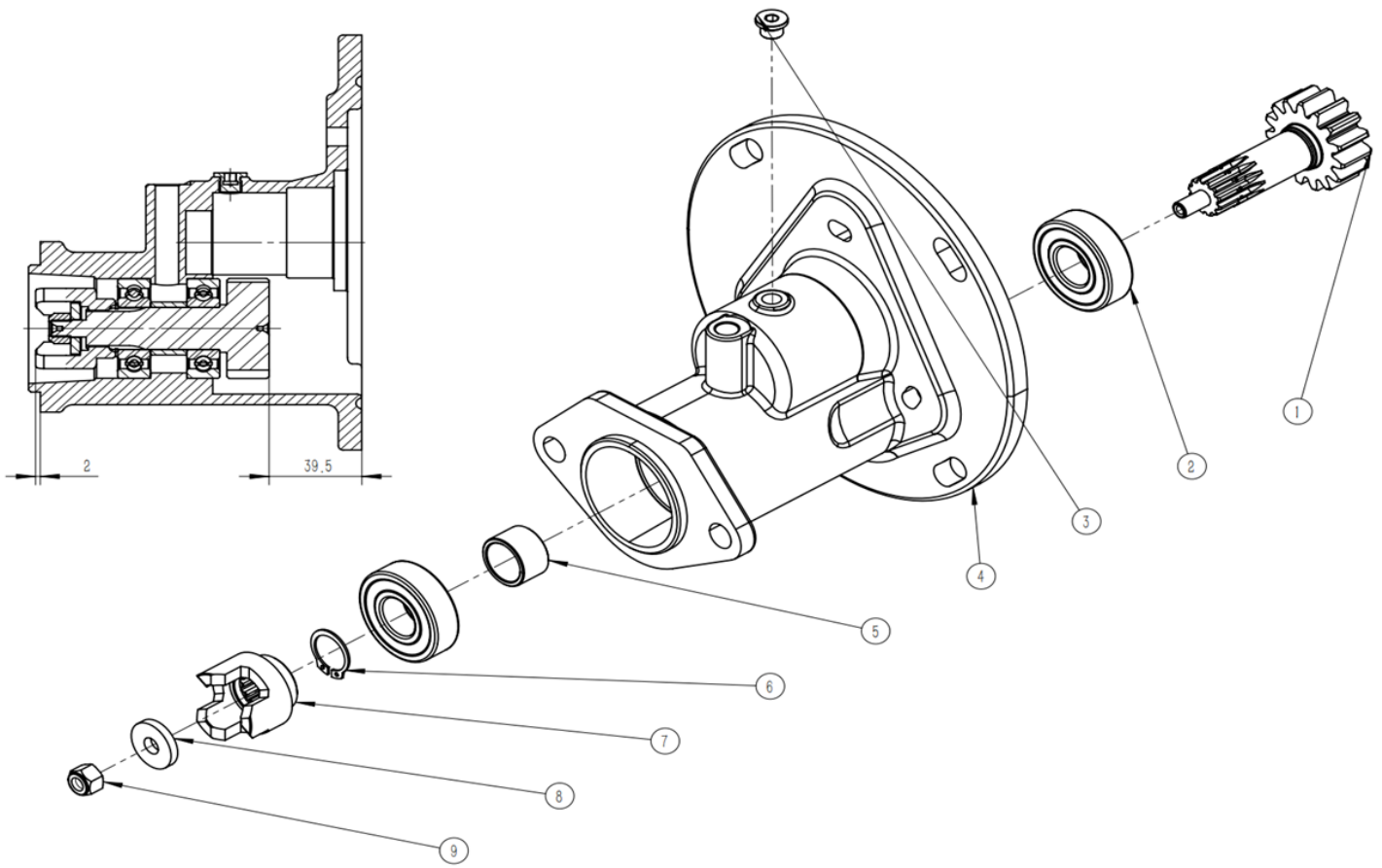
No.	Product code	Description	Quantity
1	DUPGB/T 5789-198	hexagon flange bolt	6
2	DUPYX7PX-04030000	T-shaped rubber head bolt	2
3	DUPYX7PX-04010000	Snow chute assy	1
4	DUPYX7PX-04020000	Snow chute fix piece	3
5	DUP2010GB/T 97.1-2000	6 flat washer	6
6	DUPGB/T 6182	Hexagon lock nut with non-metallic insert	6

SUPPORT WHEEL ASSEMBLY



No.	Product code	Description	Quantity
1	DUPGB/T 6182-2010	Hexagon lock nut with non-metallic insert	1
2	DUPYX7PX-06040000	Support wheel adjust lever assy	1
3	DUPYX7PX-06050000	Support wheel adjust lever ball handle	1
4	DUPGB/T 97.1-2002	16 flat washer	1
5	DUPYX7PX-06030000	Support wheel adjustment spring	1
6	DUPGB/T 5789-1986	hexagon flange bolt	1
7	DUPYX7PX-06010000	support wheel bracket assy	1
8	DUPGB/T 91-2000	split pin	1
9	DUPGB/T 801-1998	semicircle head low square neck bolt	4
10	DUPYX7PX-06020000	Support wheel connector assy	1
11	DUPYX7PX-06060000	Support wheel	1
12	DUPGB/T 6182-2010	Hexagon lock nut with non-metallic insert	4

SPEED INCREASER ASSEMBLY



No.	Product code	Description	Quantity
1	DUPYX7PX-01020000	drive gear shaft 15Z	1
2	DUPGB/T 276-2013	deep groove ball bearing	2
3	DUPJB/ZQ 4444-2006	hexagon socket plug	1
4	DUPYX7PX-01010000	gear box house	1
5	DUPYX7PX-01030000	gear shaft spacer	1
6	DUPGB/T 894.1-1986	Shaft with elastic retaining ring	1
7	DUPYX7SX-01010500	3 claws	1
8	DUPYX7SX-01010600	thick washer	1
9	DUPGB/T 889.2-2000	Hexagon lock nut with non-metallic insert	1