

POWERED BY

DUCCAR

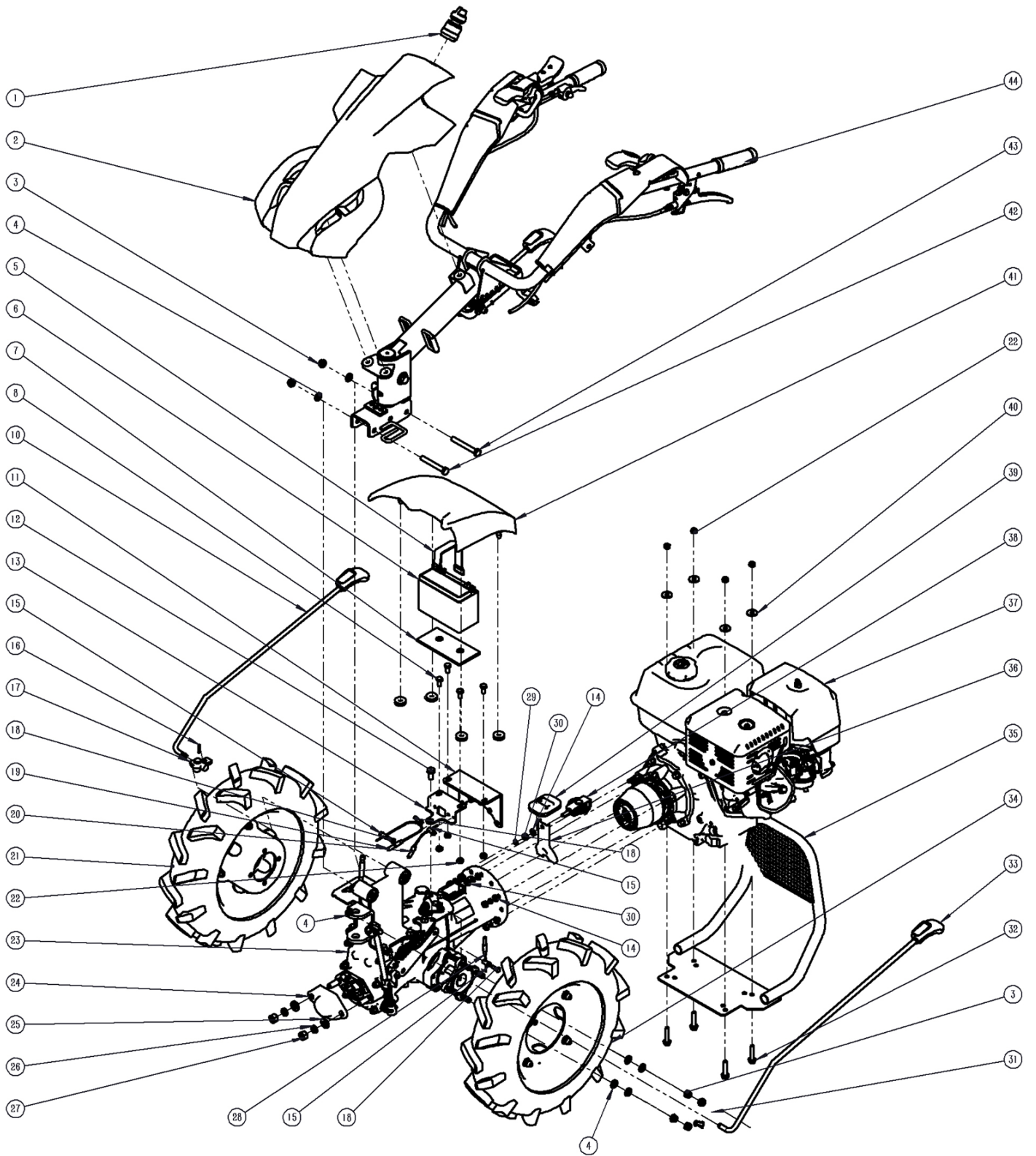
PROPULSÉ PAR

**DCS 2-Wheel tractor
DUEDCS**



PARTS MANUAL

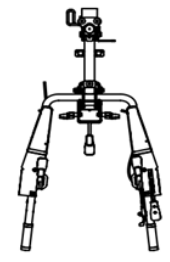
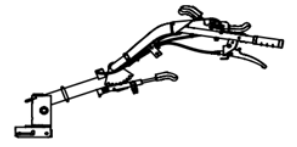
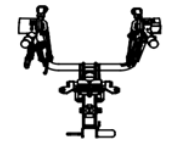
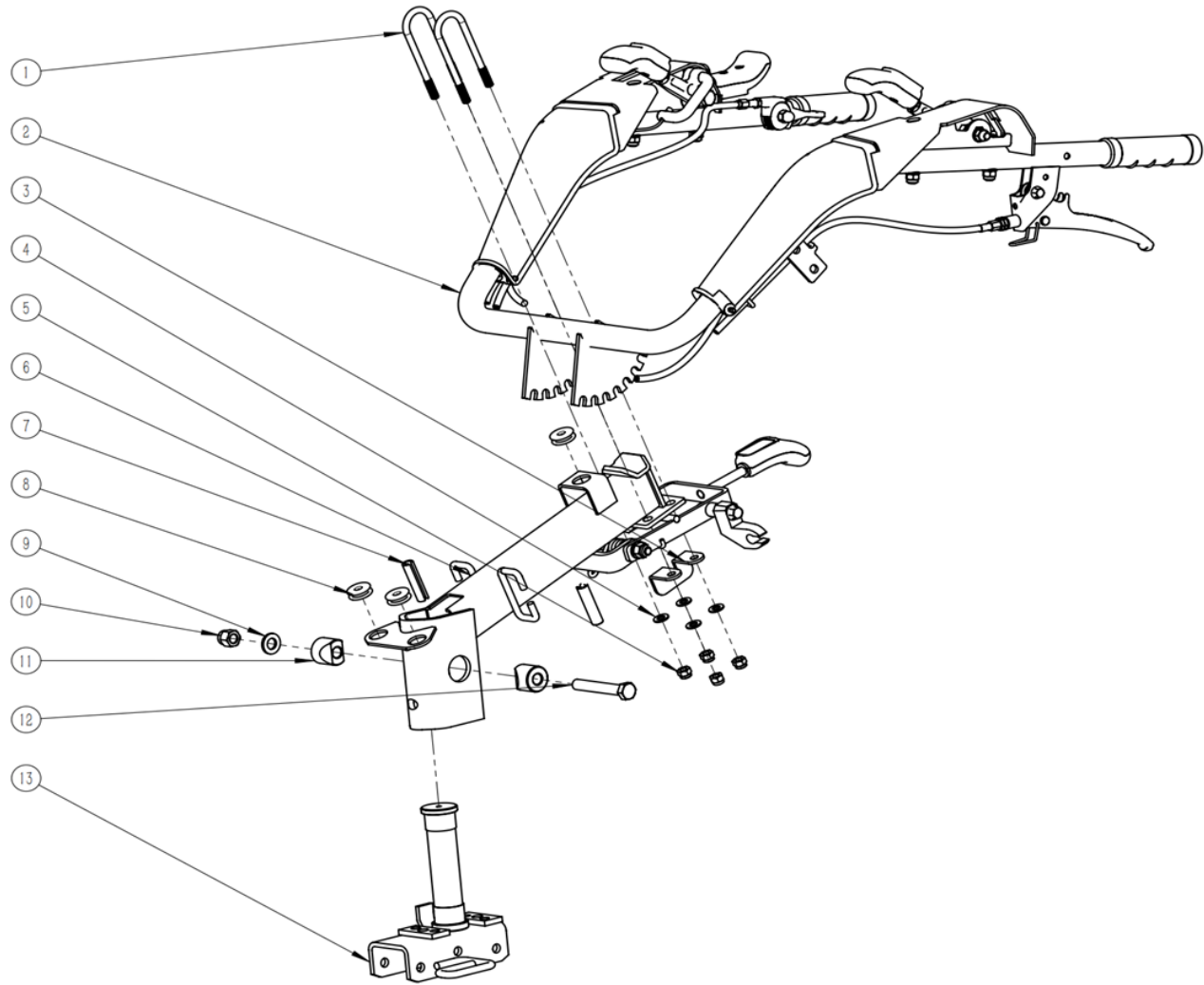
TRACTOR ASSEMBLY



TRACTOR ASSEMBLY

No.	Product code	Description	Quantity
1	DUPYX730-0106000000	electric start switch	1
2	DUPYX730-0104000000	big plastic cover	1
3	DUPGB/T 6182-2010	Hexagon lock nut with all metal insert	10
4	DUPGB/T 97.1-2002	10 flat washer	11
5	DUPYX730-0900000000	battery belt	1
6	DUPYX730-0800000000	battery	1
7	DUPYX730-0700000000	battery rubber cusion	1
8	DUPGB/T 5783-2000	hexagon bolt full thread	4
9	DUPYX730-0600000000	battery case assy	1
10	DUPYX730-1600000000	shift lever assy	1
11	DUPYX730-1800000000	front mount bracket of battery case	1
12	DUPGB/T 5783-2000	hexagon bolt full thread	1
13	DUPY730-03120300	back mount bracket of battery case	1
14	DUPGB/T 97.1-2002	8 flat washer	7
15	DUPYX730-2000000000	cable lock nut	3
16	DUPGB/T 879.1-20000	Elastic cylindrical pin straight groove	1
17	DUPYX730-1700000000	shift lever link assy	1
18	DUPGB/T 5783-2000	hexagon fangle bolt full thread M6X20	3
19	DUPYX730-0107060200	clutch cable assy	1
20	DUPYX730-0107040800	differential cable assy	1
21	DUPYX730-0500000000	wheel assy right	1
22	DUPGB/T6182-2010	Hexagon lock nut with non-metallic Insert	8
23	DUPYX730-0300000000	gear box assembly	1
24	DUPYX730-1400000000	gear box output cover	1
25	DUPGB/T 97.1-2002	12 flat washer	2
26	DUPGB/T93-1987	standard elastic washer	2
27	DUPGB/T6170-2000	hexagon nut	2
28	DUPYX730-0107040500	forward back cable assy	1
29	DUPGB/T 93-1987	elastic washer	4
30	DUPGB/T 6170-2000	hexagon nut (thicker)	7
31	DUPQC/T 623	Retractable latch	1
32	DUPGB/T 5789-1986	hexagon flange bolt	4
33	DUPYX730-1500000000	output joystick assy	1
34	DUPYX730-0400000000	wheel assy left	1
35	DUPYX730-0204000000	bumper assy	1
36	DUPYX730-1200000000	clutch fork	1
37	DUPYX730-0200000000	engine assy	1
38	DUPYX730-1100000000	clutch pulley fixer assy	1
39	DUPYX730-1300000000	clutch fork dust cover	1
40	DUPGB/T 96.1-2002	8 big cusion ring	4
41	DUPYX730-1000000000	battery case plastic cover	1
42	DUPGB/T 5782-2000	flange bolt	1
43	DUPGB/T 5782-2000	flange bolt	1
44	DUPYX730-0100000000	handle assy	1

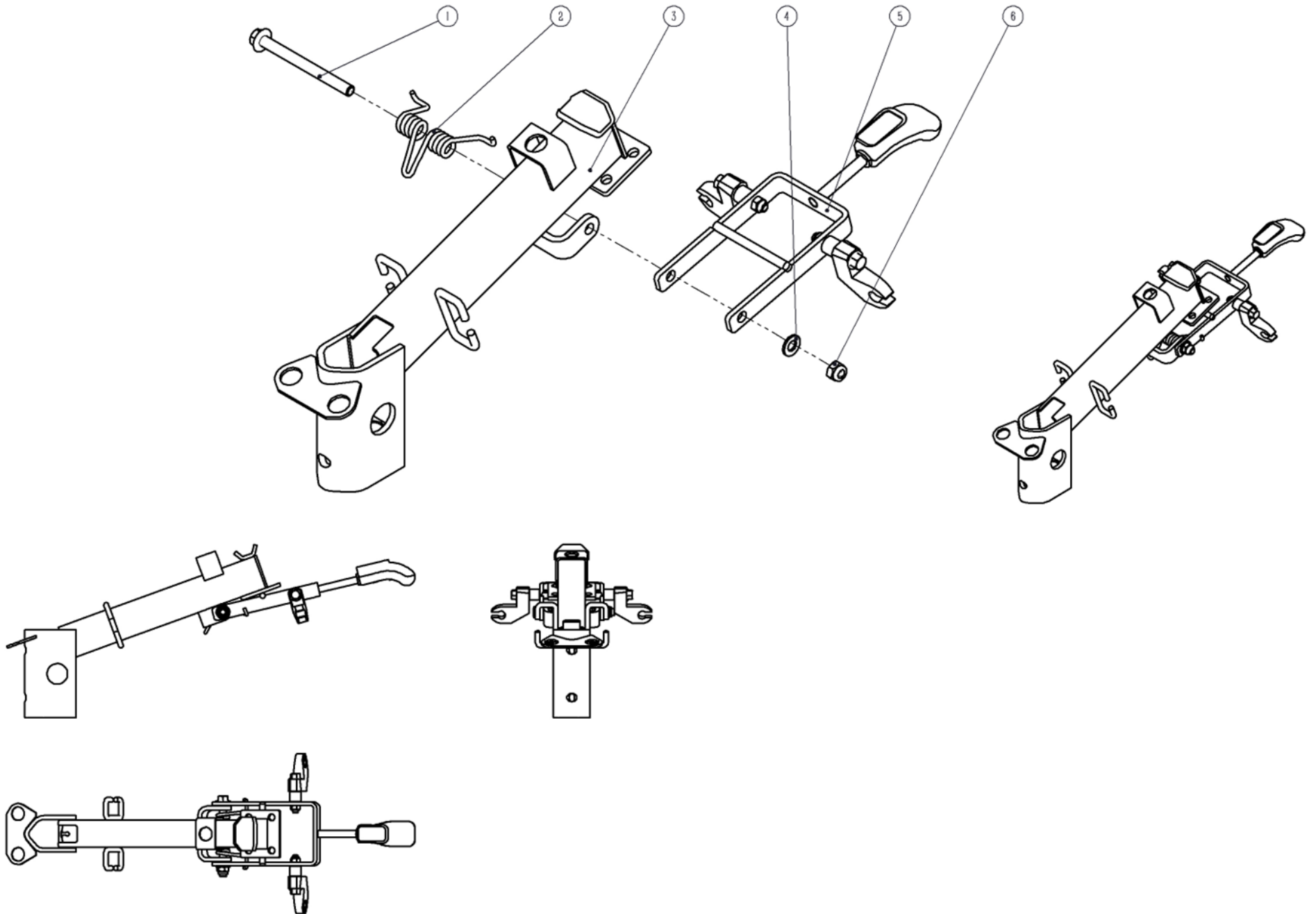
HANDLE ASSEMBLY



HANDLE ASSEMBLY

No.	Product code	Description	Quantity
1	DUPYX730-0107020000	U screw bolt	2
2	DUPYX730-0107000000	Handle assembly	1
3	DUPYX730-0110000000	handle adjust restrict base	1
4	DUPGB/T 97.1-2002	Flat washer	4
5	DUPGB/T6182-2016	Hexagon lock nut with non-metallic Insert	4
6	DUPYX730-0103000000	Handle connecting arm assembly	1
7	DUPYX730-0113000000	plastic buckle clip	2
8	DUPYX730-0105000000	Rubber gasket	3
9	DUPGB/T97.1-2002	Flat washer	1
10	DUPGB/T6182-2016	Hexagon lock nut with non-metallic Insert	1
11	DUPYX730-0103040000	Handle connecting arm locking block	2
12	DUPGB/T 5782-2000	Hex head bolt	1
13	DUPYX730-0102000000	Handle turning base component	1

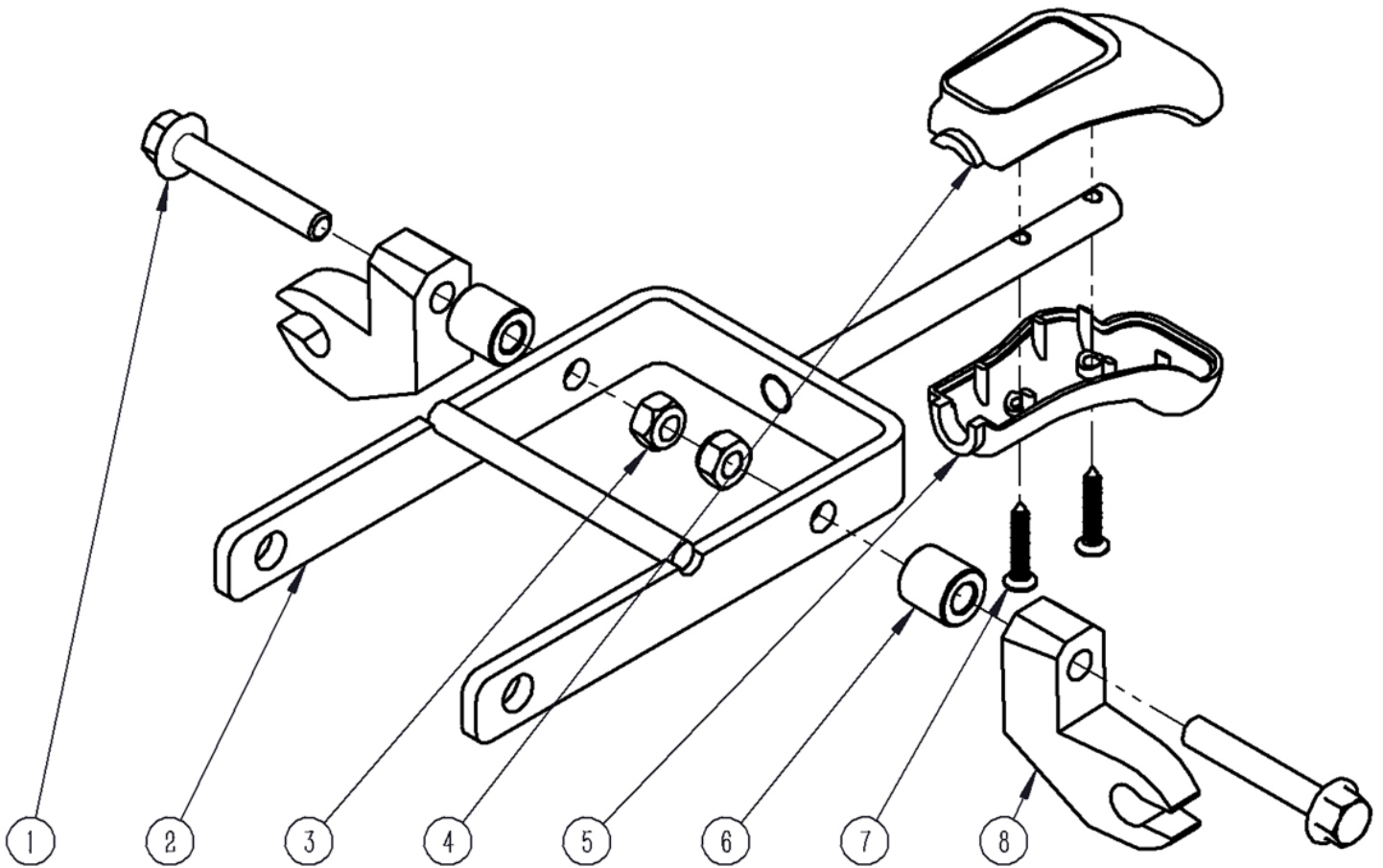
HANDLE CONNECT ARM ASSEMBLY



HANDLE CONNECT ARM ASSEMBLY

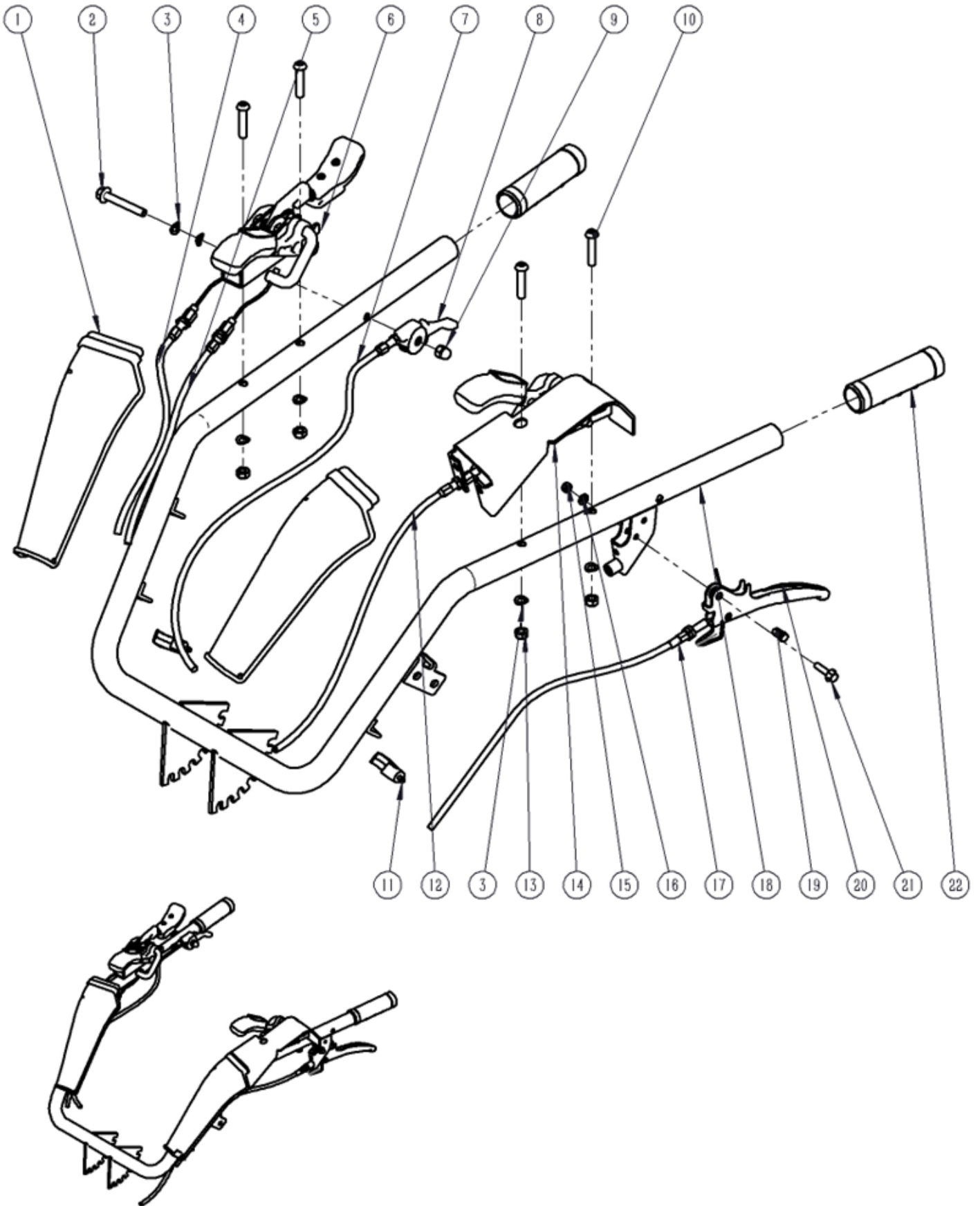
No.	Product code	Description	Quantity
1	DUPGB/T 5789-1986	hexagon flange bolt	1
2	DUPYX730-0103030000	torsion spring for handle adjustor	1
3	DUPYX730-0103010000	handle connect arm assy	1
4	DUPGB/T 97.1-2002	flat washer	1
5	DUPYX730-0103020000	handle adjust lever assy	1
6	DUPGB/T 6182-2010	all metal hexagon lock nut	1

HANDLE ADJUST ASSEMBLY



No.	Product code	Description	Quantity
1	DUPGB/T 5789-1986	hexagon flange bolt	2
2	DUPYX730-0103020100	handle adjust lever link assy	1
3	DUPGB/T 6182-2010	all metal hexagon lock nut	2
4	DUPYX730-0103020200	plastic lever up	1
5	DUPYX730-0103020300	plastic lever down	1
6	DUPYX730-0103020500	joystick holder sleeve	2
7	DUPGB/T 846-1985	cross recessed countersunk head tapping screw	2
8	DUPYX730-0103020400	joystick holder	2

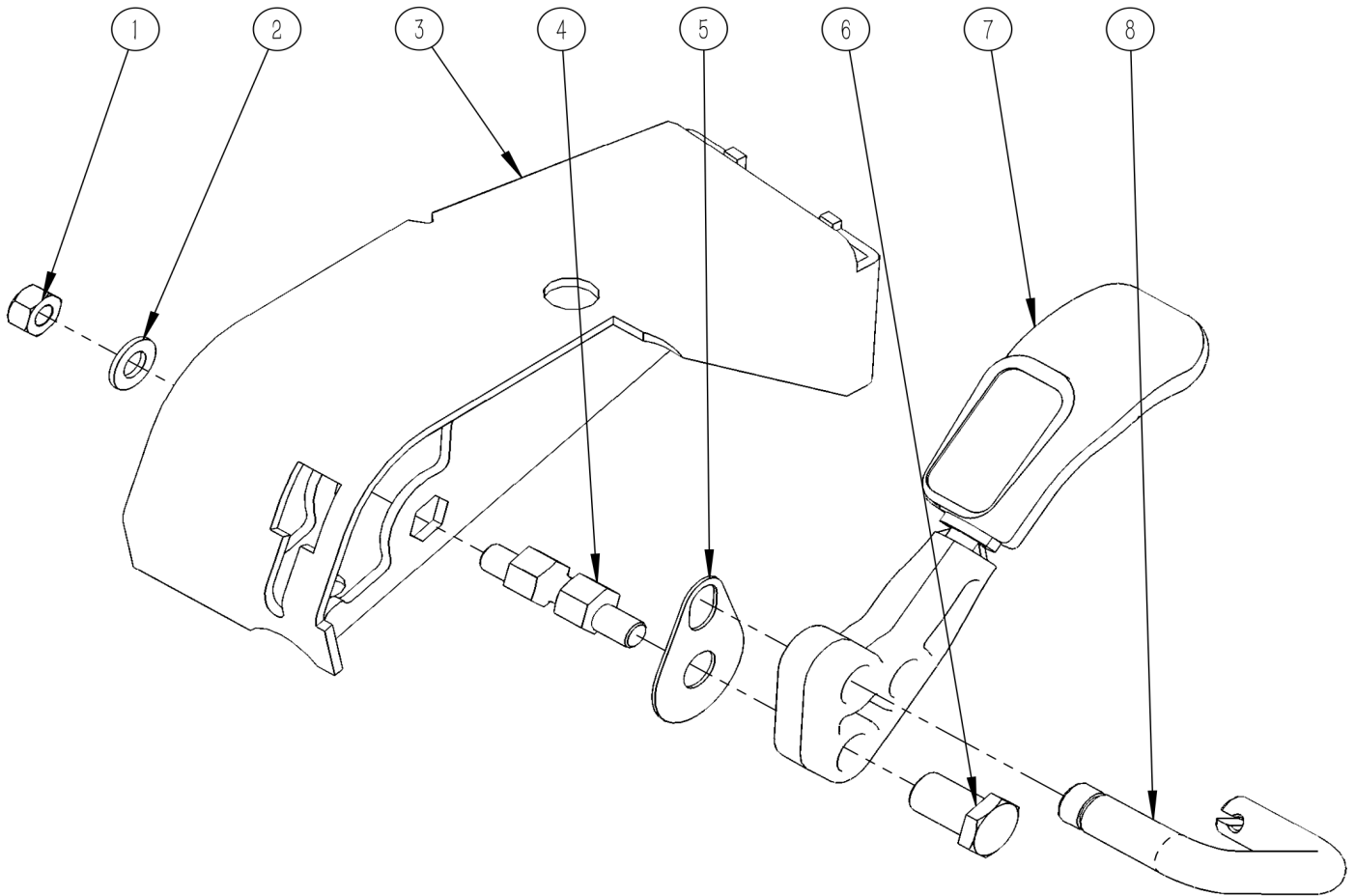
HANDLE ADJUST ASSEMBLY 2



HANDLE ADJUST ASSEMBLY 2

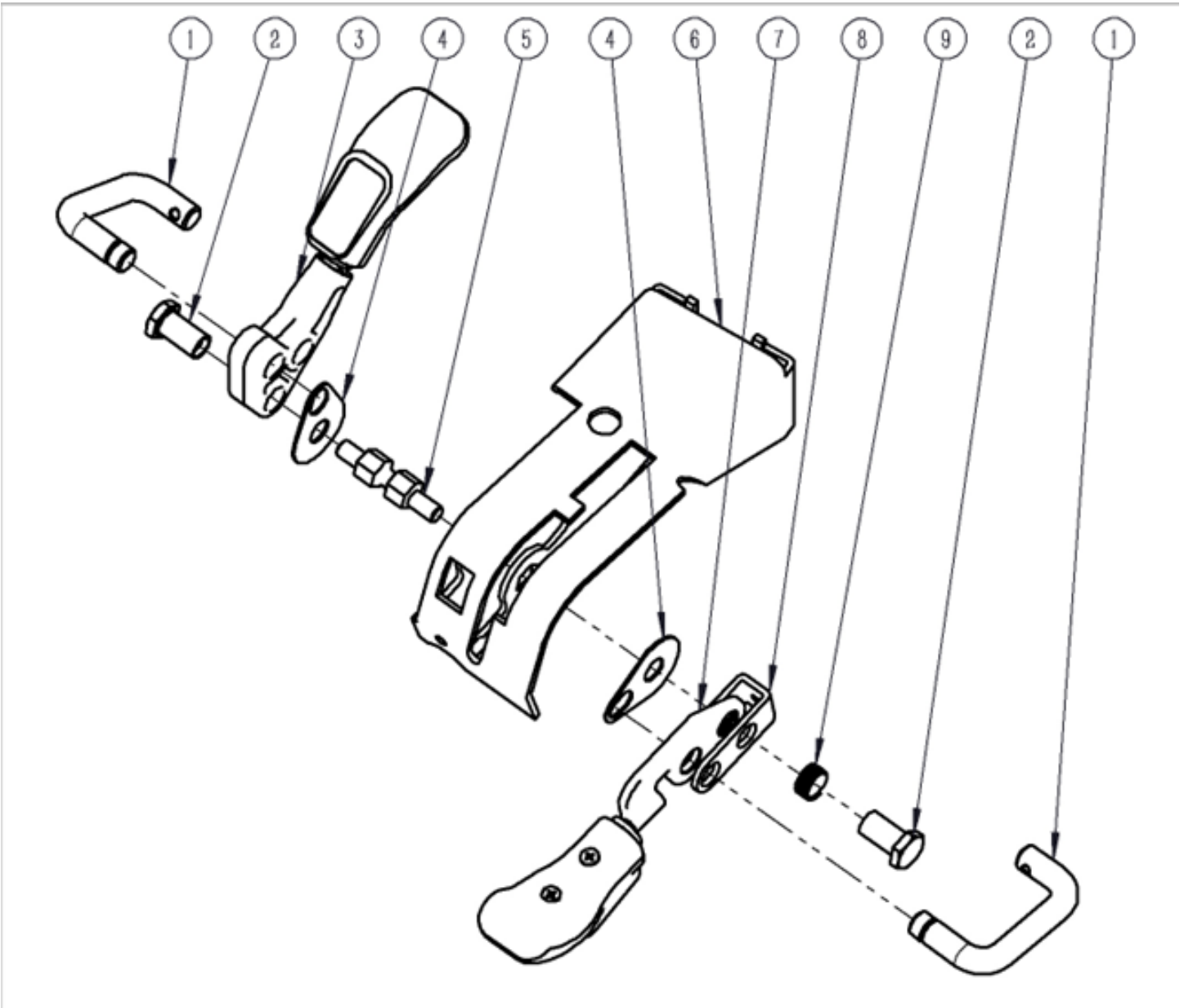
No.	Product code	Description	Quantity
1	DUPYX730-0107080000	handle plastic cover	2
2	DUPGB/T 5789-1986	hexagon flange bolt	1
3	DUPGB/T 955-1987	Corrugated Spring Washer	6
4	DUPYX730-0107040500	forward back cable assy	1
5	DUPYX730-0107040800	differential lock assy	1
6	DUPYX730-0107040000	right control handle assy	1
7	DUPYX730-0107050200	throttle cable assy	1
8	DUPYX730-0107050000	throttle lever assy	1
9	DUPGB/T 923-2009	Hexagonal cap nut	1
10	DUPGB/T 70.2-2008	Hexagon flat head screw	4
11	DUPYX730-0107090000	handle plastic cover fix buckle	2
12	DUPYX730-0107030700	handle rotate cable assy	1
13	DUPGB/T 6182-2010	Hexagon lock nut with non-metallic Insert	4
14	DUPYX730-0107030000	left control handl assy	1
15	DUPGB/T 6182-2010	Hexagon lock nut with non-metallic Insert	1
16	DUPGB/T 97.1-2002	6 flat washer	1
17	DUPYX730-0107060200	clutch cable assy	1
18	DUPYX730-0107010000	handle tube assy	1
19	DUPYX730-0107060600	clutch cable buckle	1
20	DUPYX730-0107060000	clutch lever assy	1
21	DUPGB/T 5789-1986	hexagon flange bolt	1
22	DUPYX730-0107100000	rubber handle	2

LEFT CONTROL HANDLE ASSEMBLY



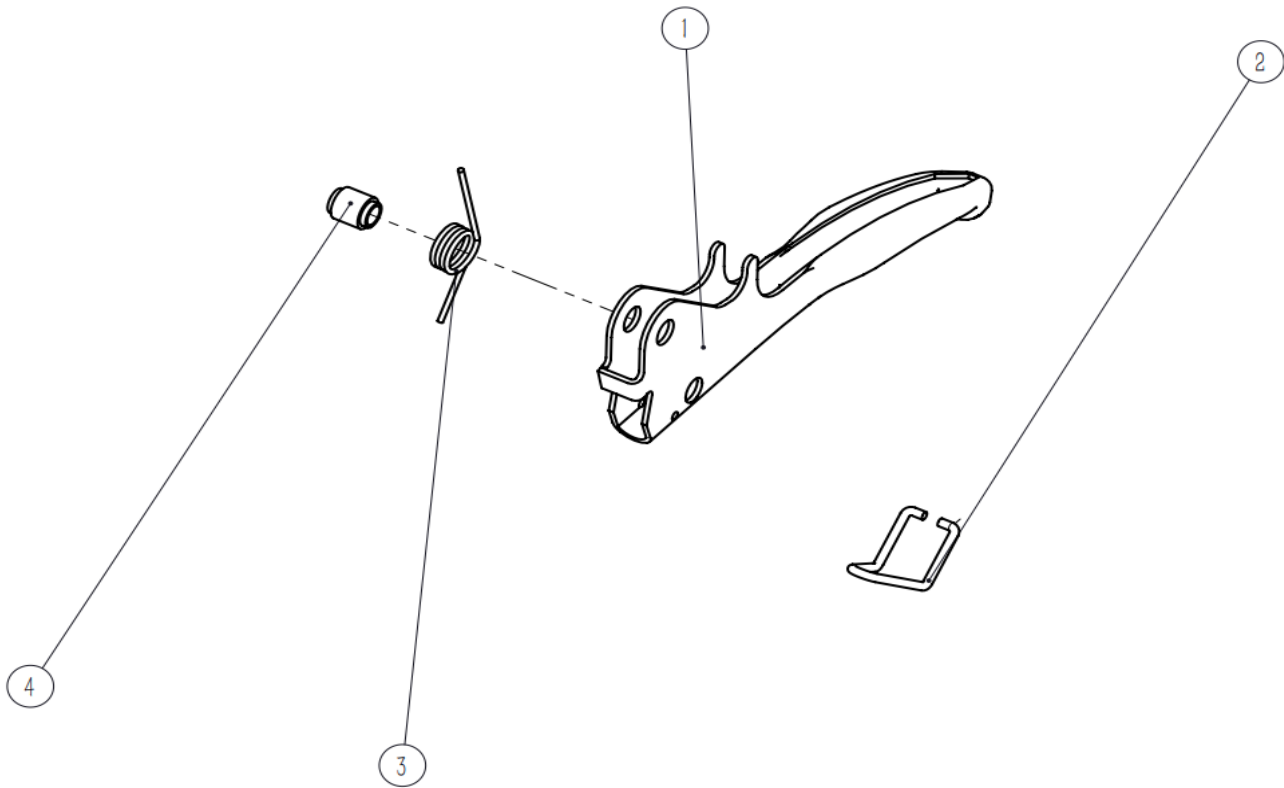
No.	Product code	Description	Quantity
1	DUPGB/T 6182-2010	Hexagon lock nut with non-metallic Insert	1
2	DUPGB/T 97.1-2002	flat washer	1
3	DUPYX730-0107030100	left control handle assy	1
4	DUPYX730-0107030500	eccentric screw	1
5	DUPYX730-0107030400	lever plate	1
6	DUPYX730-0107030600	aluminum lever fix nut	1
7	DUPYX730-0107030200	aluminum lever assy	1
8	DUPYX730-0107030300	U type cable fixer (left)	1

RIGHT CONTROL HANDLE ASSEMBLY



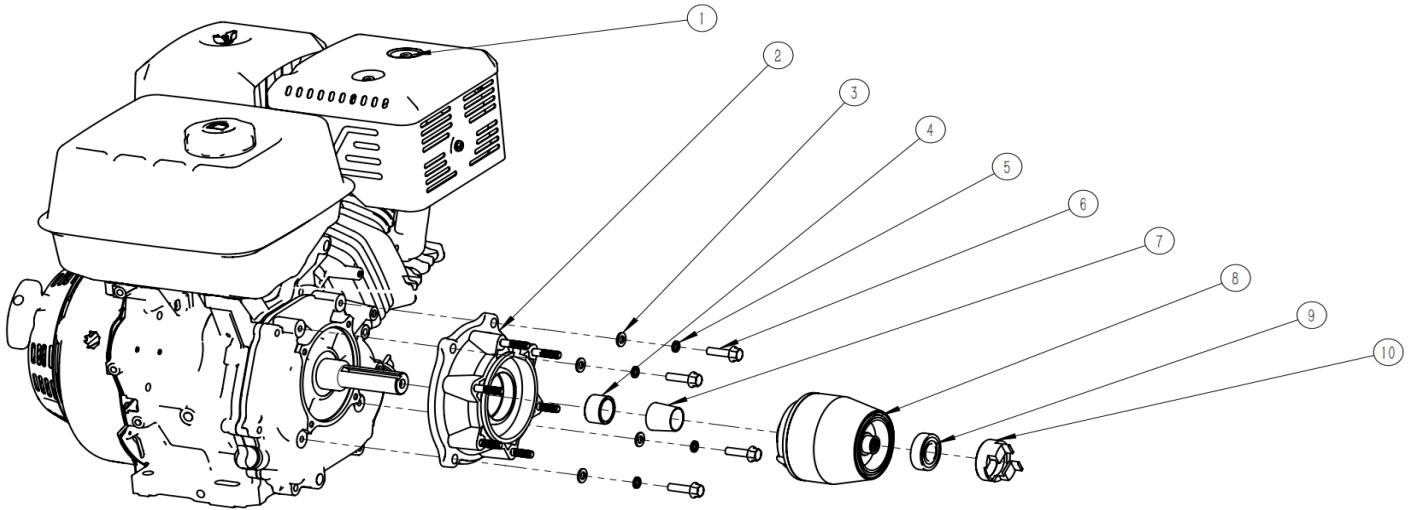
No.	Product code	Description	Quantity
1	DUPYX730-0107040600	U type cable fixer	2
2	DUPYX730-0107030600	aluminum lever fix nut	2
3	DUPYX730-0107030200	aluminum lever assy	1
4	DUPY730-0107030400	lever plate	2
5	DUP7X730-0107030500	eccentric screw	1
6	DUPYX730-0107040100	right control handle assy	1
7	DUPYX730-0107040200	iron lever assy	1
8	DUPYX730-0107040300	iron lever Connection seat	1
9	DUPYX730-0107040400	iron leve fix spring	1

CLUTCH HANDLE ASSEMBLY



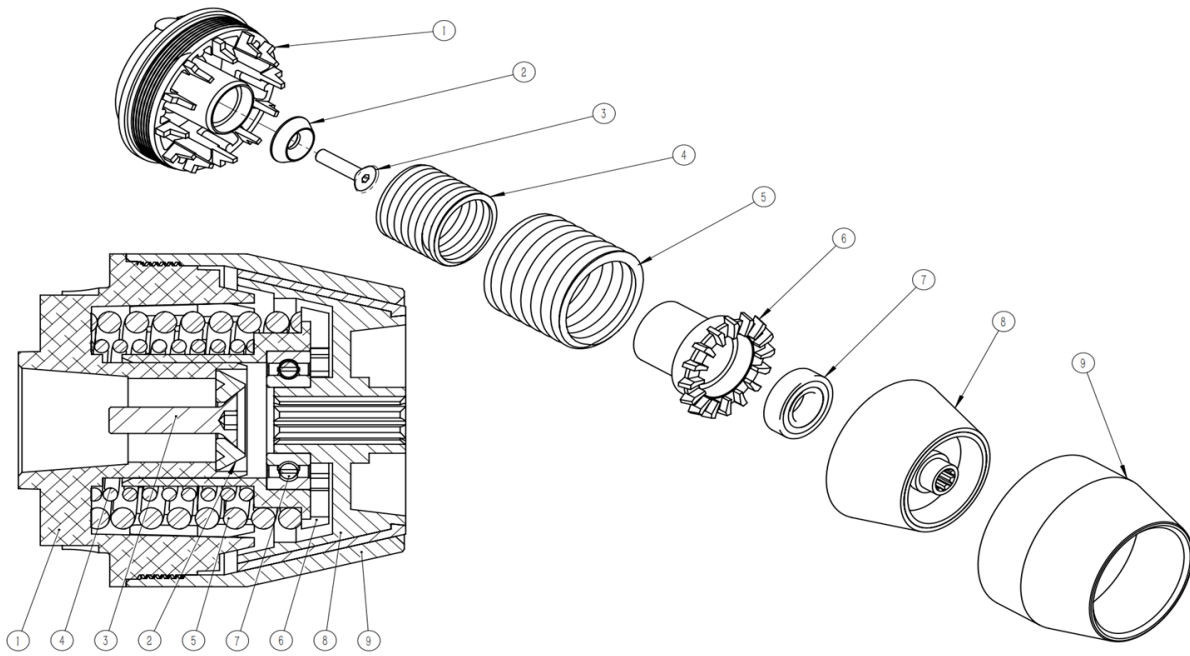
No.	Product code	Description	Quantity
1	DUPYX730-0107060500	clutch handle	1
2	DUPYX730-0107060400	lock buckle	1
3	DUPYX730-0107060300	torsion spring of clutch handle	1
4	DUPYX730-0107060100	fix shaft sleeve of clutch handle	1

ENGINE ASSEMBLY



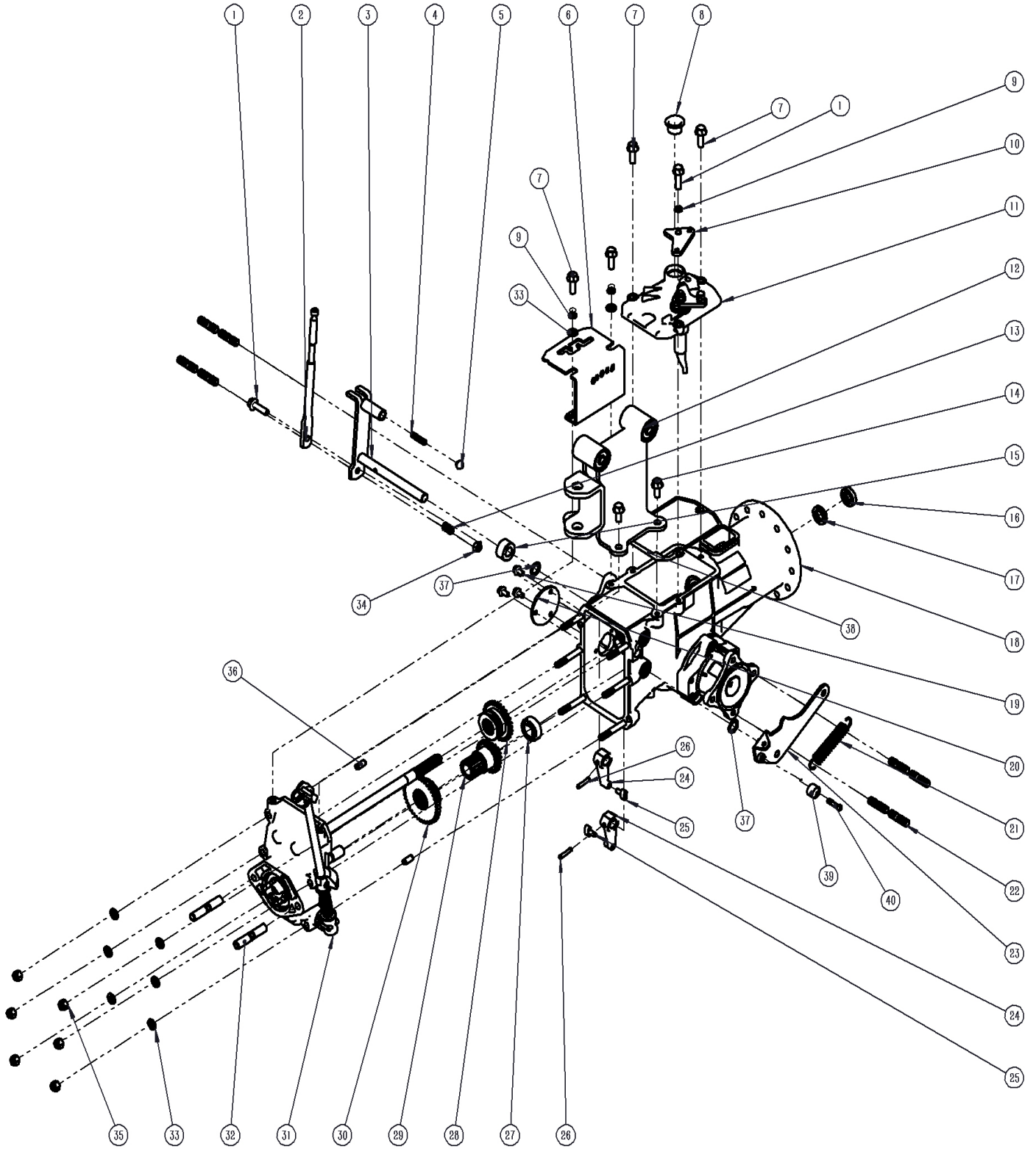
No.	Product code	Description	Quantity
1	DUPYX730-0201000000	engine assembly	1
2	DUPYX730-0203000000	engine connec cover assy	1
3	DUPGB/T 97.1-2002	flat washer	4
4	DUPYX730-0202000000	engine output shaft spacer	1
5	DUPGB/T 93-1987M8	elastic washer	4
6	DUPGB/T 5789-1986	hexagon flange bolt	4
7	DUPYX730-0206000000	cone sleeve	1
8	DUPYX730-0205000000	clutch assembly	1
9	DUPGB/T 276-2013-1	deep groove ball bearing	1
10	DUPYX730-0208000000	clutch fork base	1

CLUTCH ASSEMBLY



No.	Product code	Description	Quantity
1	DUPYX730-0205010000	clutch shell base	1
2	DUPYX730-0207000000	conical washer	1
3		Hexagon countersunk head screws	1
4	DUPYX730-0205060000	small spring	1
5	DUPYX730-0205050000	big spring	1
6	DUPYX730-0205040000	clutch spring base	1
7	DUPGB/T 276-2013	deep groove ball bearing	1
8	DUPYX730-0205030000	friction wheel	1
9	DUPYX730-0205020000	clutch shell	1

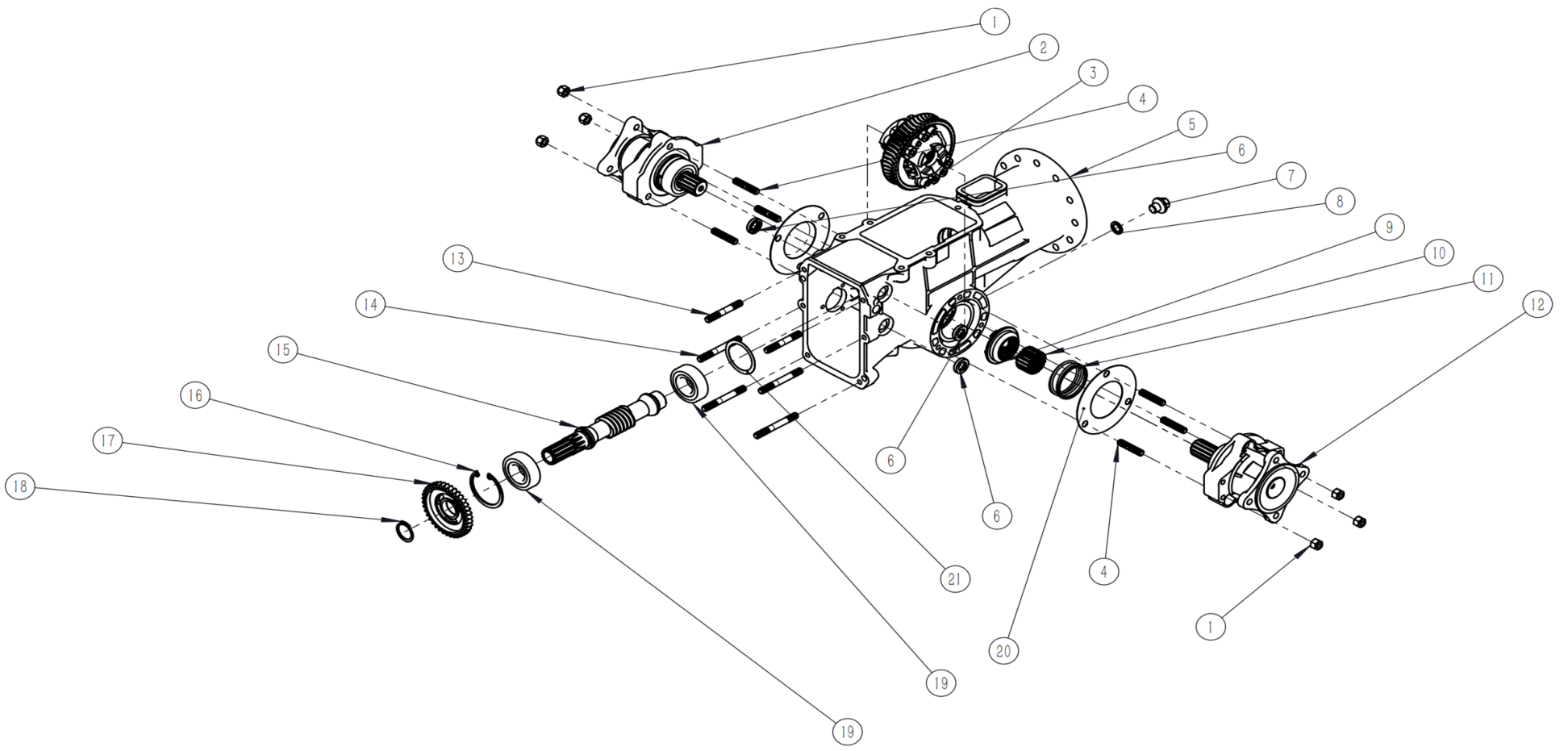
GEARBOX ASSEMBLY



GEARBOX ASSEMBLY

No.	Product code	Description	Quantity
1	DUPGB/T 5789-1986	hexagon flange bolt	2
2	DUPYX730-0314000000	gear lever	1
3	DUPYX730-0310000000	gear lever link assy	1
4	DUPYX730-0311000000	gear lever link spring for gear limit	1
5	DUPYX730-0312000000	gear lever link steel ball for gear limit	1
6	DUPYX730-0316000000	gear plate	1
7	DUPGB/T 5789-1986	hexagon flange bolt	4
8	DUPYX730-0303060000	oil seal cover	1
9	DUPGB/T 93-1987	elastic washer	3
10	DUPYX730-0303070000	forward back cable fix plate	1
11	DUPYX730-0303000000	gear box top cover assy	1
12	DUPYX730-0101000000	handle mount assy	1
13	DUPYX730-0315000000	gear lever fixer spring	1
14	DUPGB/T 5789-1986	hexagon flange bolt	2
15	DUPYX730-0313000000	gear lever link spacer	1
16	DUPGB/T 13871.1-2007	skeleton oil seal	1
17	DUPGB/T 13871.1-2007	skeleton oil seal	1
18	DUPYX730-0301000000	gear box part	1
19	DUPGB/T 5789--1986	hexagon flange bolt	3
20	DUPYX730-0317000000	oil seal for oil mouth	1
21	DUPYX730-0308000000	forward back fork link tension spring	1
22	DUPGB/T 898-1988	double stud bm=1.25d	8
23	DUPYX730-0307000000	forward back fork link assy	1
24	DUPYX730-0309000000	long fork arm	2
25	DUPYX730-0302090000	shift block	2
26	DUPGB/T 879.3-2000	Elastic cylindrical pin coiling	2
27	DUPGB/T 276-2013	deep groove bearing	1
28	DUPYX730-0304000000	Spindle clutch driven gear 29-11z	1
29	DUPYX730-0305000000		1
30	DUPYX730-0306000000	Output shaft forward and backward clutch gear 38-16z	1
31	DUPYX730-0302000000	gear box output cover assembly	1
32	DUPGB/T 901-1988	double stud M12X65	2
33	DUPGB/T 97.1-2002	flat washer	8
34	DUPGB/T 6182-2010	Hexagon lock nut with non-metallic Insert	6
35	DUPGB/T889.2-2000	Hexagon lock nut with non-metallic Insert	1
36	DUPGB/T119.2-2000	cylindrical pin 8x18	2
37	DUPGB/T 97.1-2002	flat washer	8
38	DUPYX730-0303090000	gear box top cover Paper pad	1
39	DUPYX730-0307020000	nylon retaining ring	1
40	DUPYX730-0307030000	nylon retaining ring fixing bolt	1

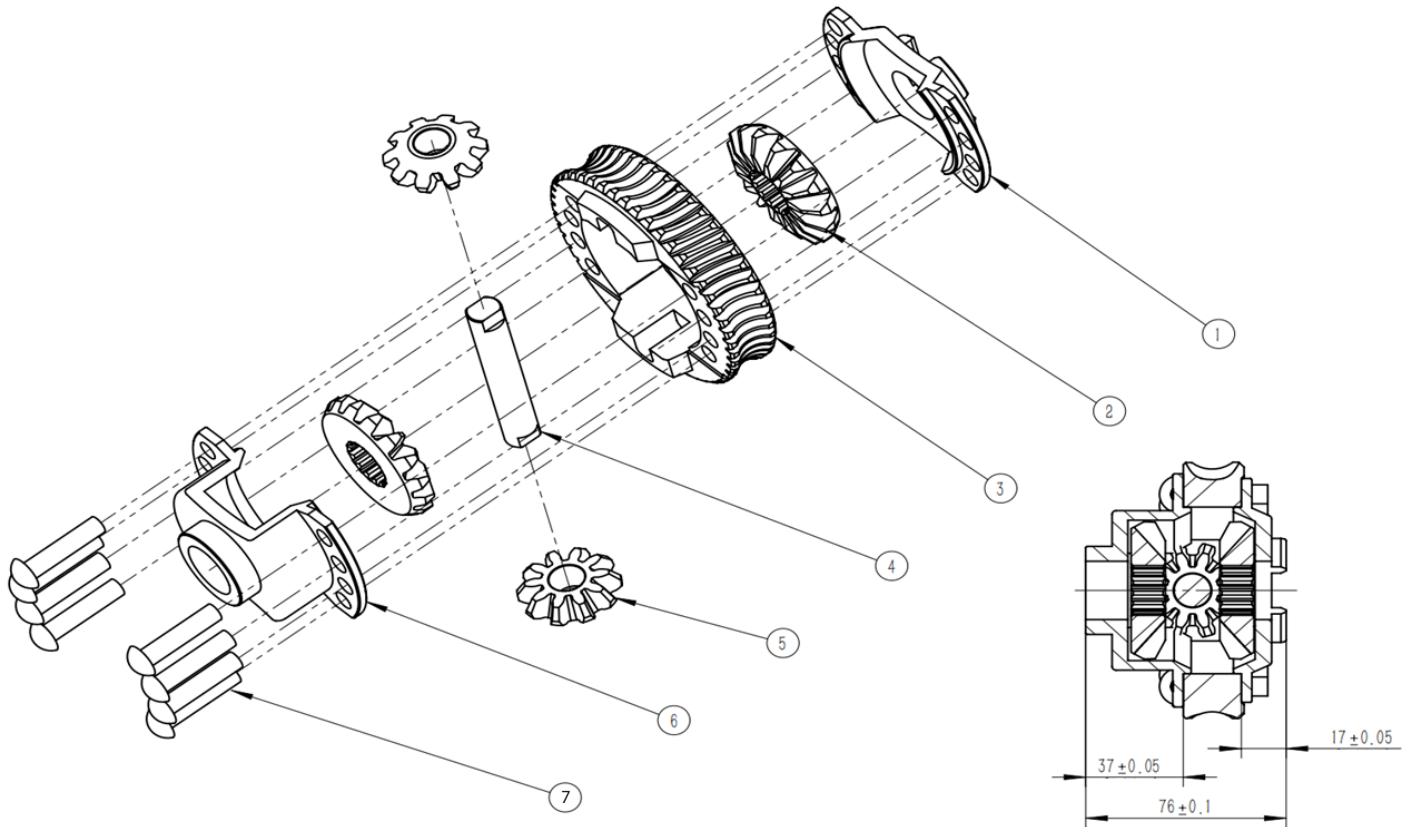
GEARBOX PARTS



GEARBOX PARTS

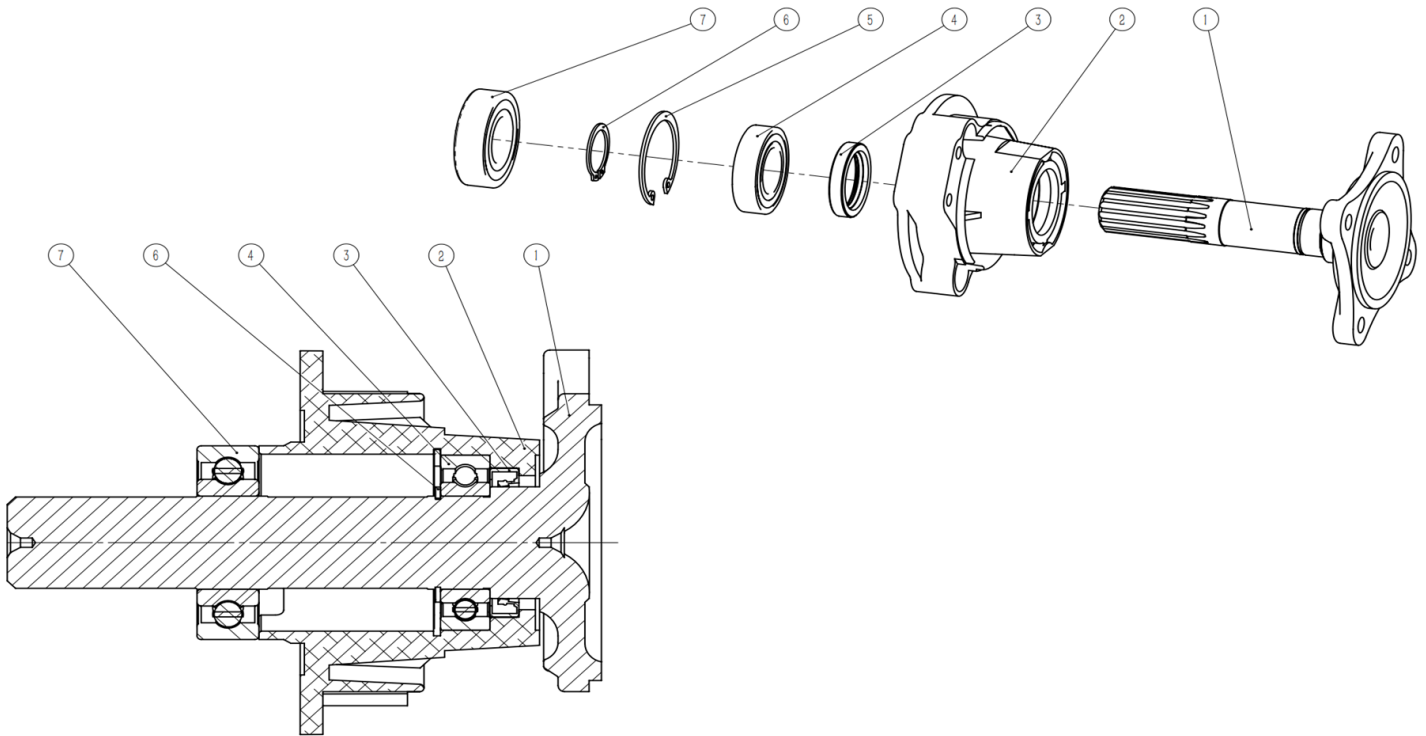
No.	Product code	Description	Quantity
1	DUPGB/T 889.2-2000	Hexagon lock nut with non-metallic Insert	6
2	DUPYX730-0301070000	wheel base assy(right)	1
3	DUPYX730-0301020000	differential lock assy	1
4	DUPGB/T 898-1988	double-end stud bm=2d 8x40	6
5	DUPYX730-0301010000	gear box	1
6	DUPGB/T 13871.1-2007	skeleton oil seal	3
7	DUPJB/ZQ 4450-2006	Outer Hexagon Plug	1
8	DUPJB982-77	plug gasket	1
9	DUPYX730-0301030000	differential lock clutch spline gear 18z	1
10	DUPYX730-0301040000	Spline shaft sleeve 14-18z	1
11	DUPYX730-0301050000	differential lock spring	1
12	DUPYX730-0301060000	wheel base assy(left)	1
13	DUPGB/T 898-1988	double-end stud bm=2d 8x60	2
14	DUPGB/T 898-1988	double-end stud bm=2d 8x72	4
15	DUPYX730-0301080000	worm shaft	1
16	DUPGB/T 893.1-1986	elastic retaining ring (for hole)	1
17	DUPYX730-0301090000	spindle driven gear 38z	1
18	DUPGB/T 894.1-1986	A type elastic retaining ring (for shaft)	1
19	DUPGB/T 276-2013	deep groove bearing	2
20	DUPYX730-0301100000	wheel base gasket	2
21	DUPYX730-0301110000	bearing spacer 52	1

DIFFERENTIAL LOCK ASSEMBLY



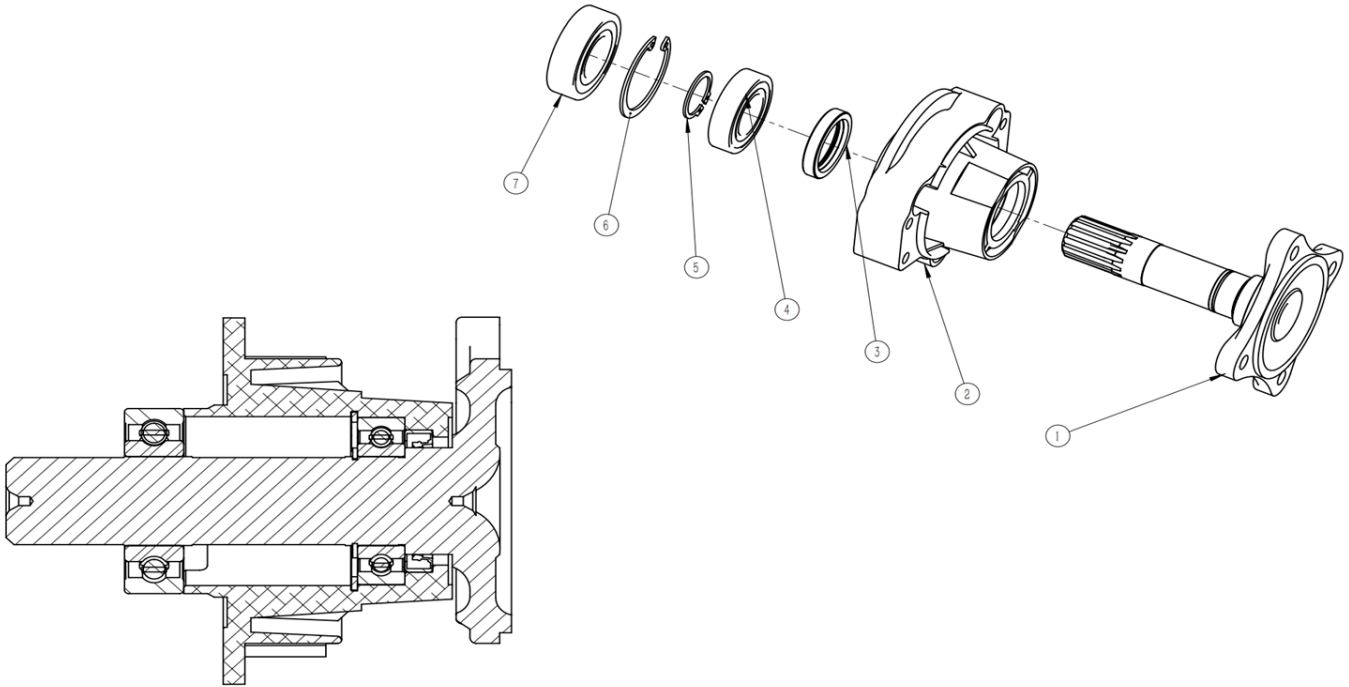
No.	Product code	Description	Quantity
1	DUPYX730-0301020500	differential lock cover (left)	1
2	DUPYX730-0301020400	differential lock bevel gear (big)	2
3	DUPYX730-0301020100	differential lock turbine	1
4	DUPYX730-0301020200	differential lock shaft	1
5	DUPYX730-0301020300	differential lock bevel gear (small)	2
6	DUPYX730-0301020600	differential lock cover (right)	1
7	DUPGB/T 867-1986	Semi-round head rivet	8

WHEEL BASE (LEFT) ASSEMBLY



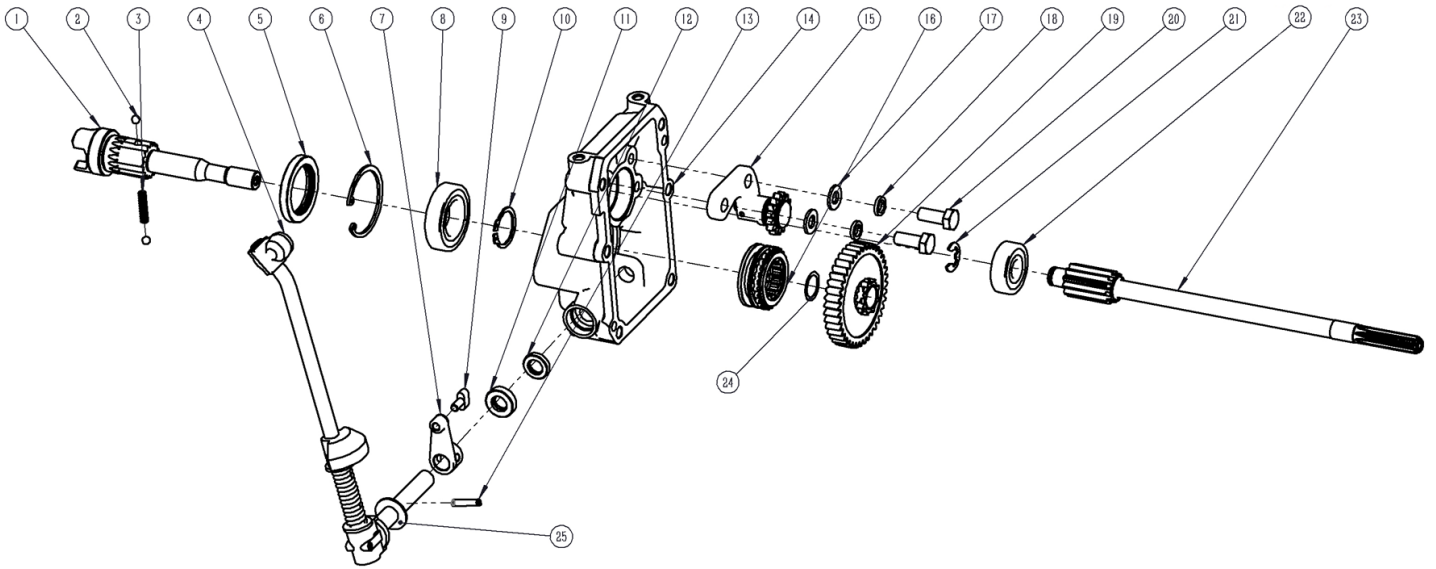
No.	Product code	Description	Quantity
1	DUPYX730-0301060100	wheel base (left)	1
2	DUPYX730-0301060200	wheel base connector	1
3	DUPGB/T 13781.1-2007	skeleton oil seal	1
4	DUPGB/T 276-2013	Deep groove ball bearing	1
5	DUPGB/T 893.1-1986B	A type elastic retaining ring (for shaft)	1
6	DUPGB/T894.1-1986A	elastic retaining ring (for hole)	1
7	DUPGB/T 276-2013-2	Deep groove ball bearing	1

WHEEL BASE (RIGHT) ASSEMBLY



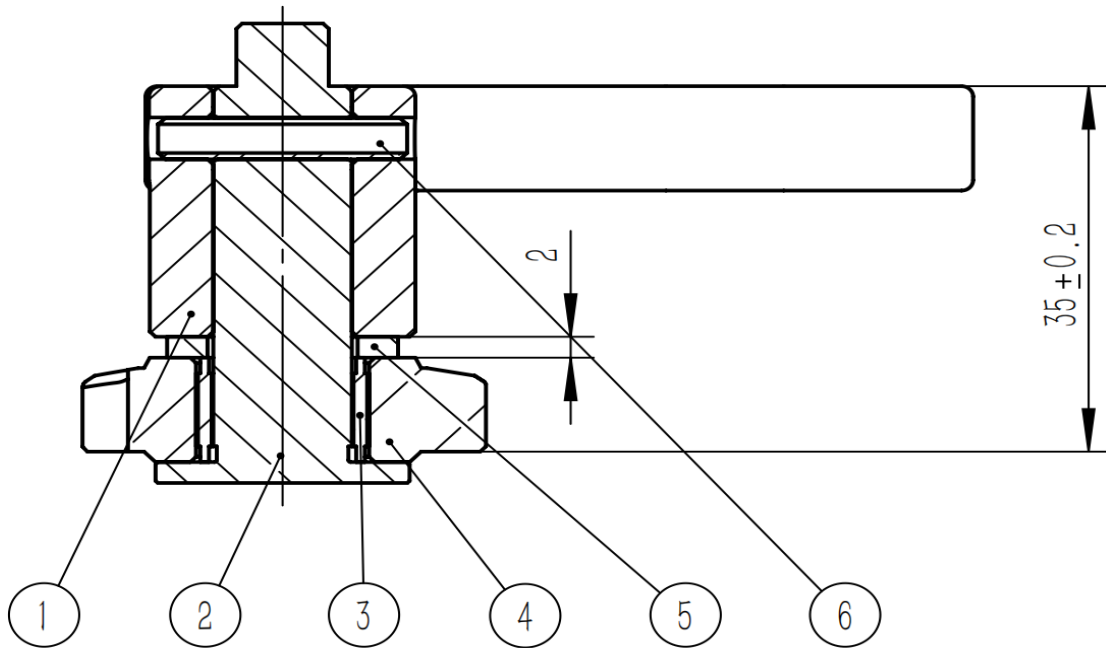
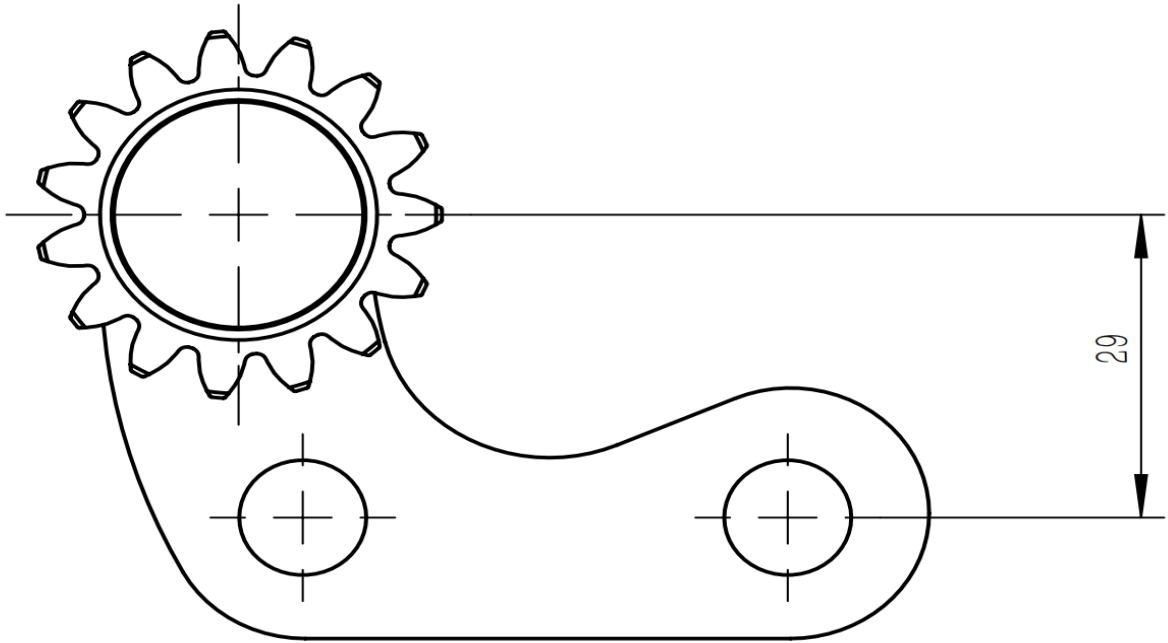
No.	Product code	Description	Quantity
1	DUPYX730-0301070100	wheel base (right)	1
2	DUPYX730-0301060200	wheel base connector	1
3	DUPGB/T 13871/1-2007	skeleton oil seal	1
4	DUPGB/T 276-2013	Deep groove ball bearing	1
5	DUPGB/T 894.1-1986	A type elastic retaining ring (for shaft)	1
6	DUPGB/T 893.1-1986	elastic retaining ring (for hole)	1
7	DUPGB/T 276-2013	Deep groove ball bearing	1

END CAP ASSEMBLY



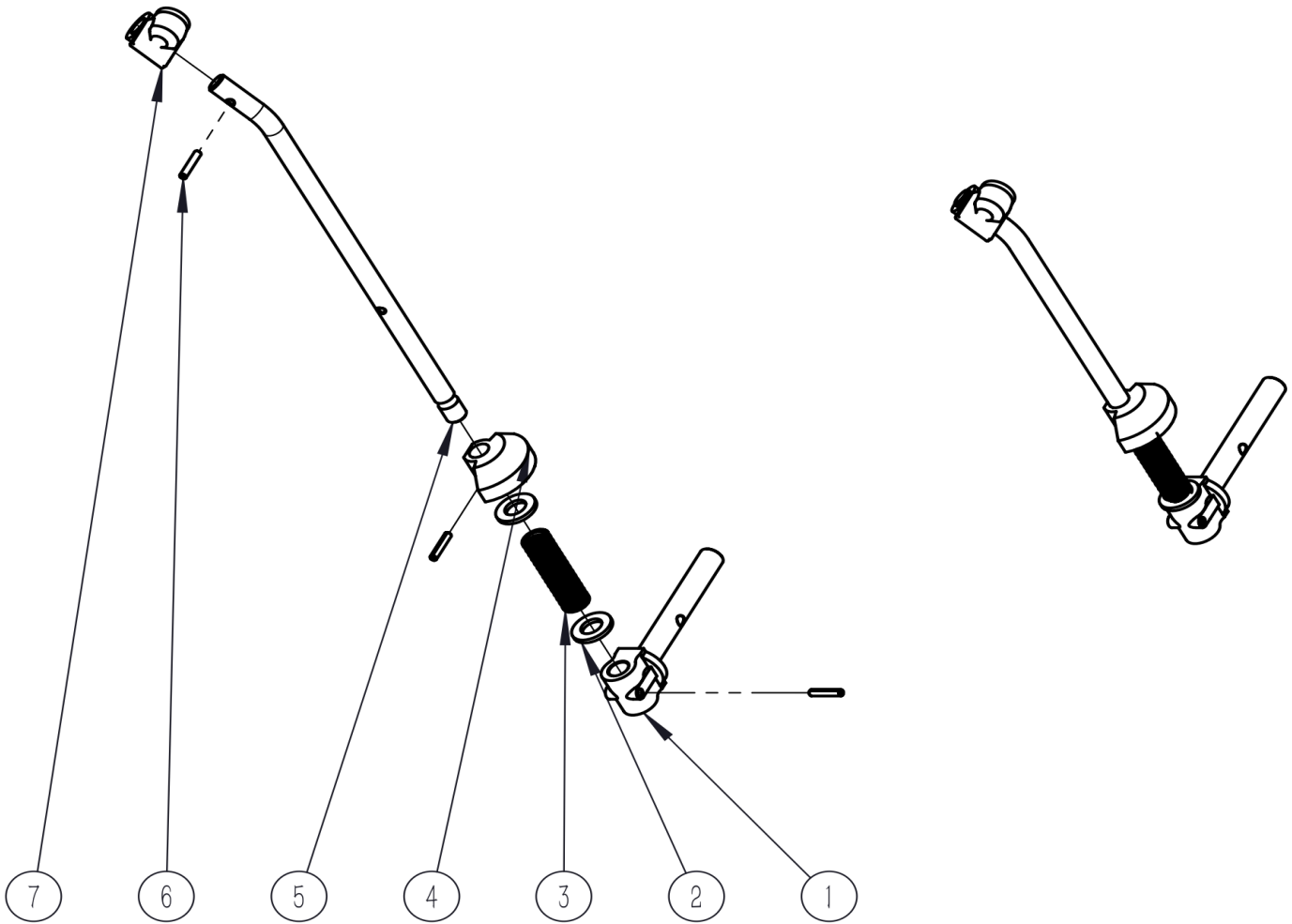
No.	Product code	Description	Quantity
1	DUPYX730-03020400	Output shaft	1
2	DUPGB/T 308-2002	Steel ball	2
3	DUPYX730-03021000	Output clutch limit spring	1
4	DUPYX730-0302070000	output clutch link assy	1
5	DUPGB/T 13871.1-2007	Oil seal	1
6	DUPGB/T 893.1-1986	Hole circlip type A	1
7	DUPYX730-0302080000	Short fork arm	1
8	DUPGB/T 276-2013	Deep groove ball bearing	1
9	DUPYX730-03020900	Gear shift block	1
10	DUPGB/T 894.1-1986	Shaft circlip type A	1
11	DUPGB/T 13871.1-2007	Oil seal	1
12	DUPGB/T 13871.1-2007	Oil seal	1
13	DUPGB/T 879.3-2000	Elastic cylindrical pin	1
14	DUPYX730-0302010000	gear box output cover	1
15	DUPYX730-0302020000	carrier gear assy	1
16	DUPYX730-0302050000	output shaft clutch gear 25-16z	1
17	DUPGB/T 97.1-2002	flat washer	2
18	DUPGB/T 93-1987	standard elastic washer	2
19	DUPYX730-0302060000	output shaft driven gear 40-25-16z	1
20	DUPGB/T 5783-2000	hexagon bolt full thread	2
21	DUPGB/T 896-1986	open retainer ring	1
22	DUPGB/T 276-2013	Deep groove ball bearing	1
23	DUPYX730-0302030000	main shaft	1
24	DUPYX730-0302110000	bearing shim	1
25	DUPGB/T 97.1-2002	flat washer	1

CARRIER GEAR ASSEMBLY



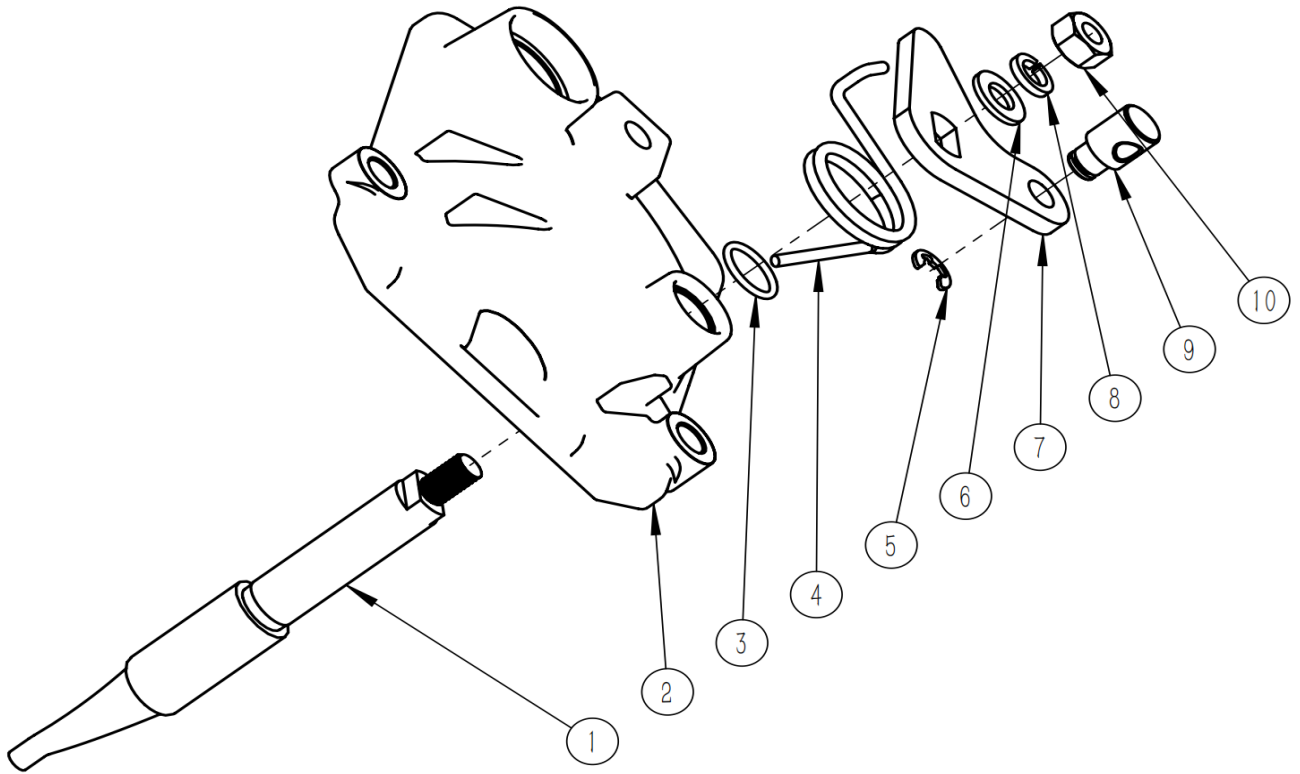
No.	Product code	Description	Quantity
1	DUPYX730-0302020100	carrier gear base	1
2	DUPYX730-0302020200	carrier gear shaft	1
3	DUPJB/T 7918-1997	Radial needle roller bearings	1
4	DUPYX730-0302020300	carrier gear 15z	1
5	DUPYX730-0302020400	carrier gear shaft washer	1
6	DUPDUPGB/T879.1-20000	Elastic cylindrical pin (straight groove)	1

OUTPUT CLUTCH LINK ASSEMBLY



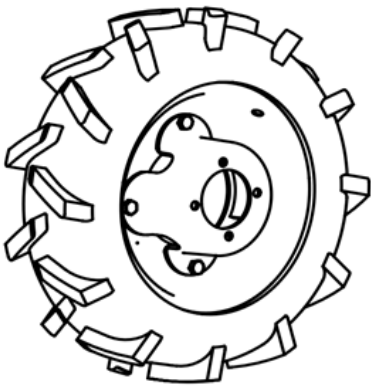
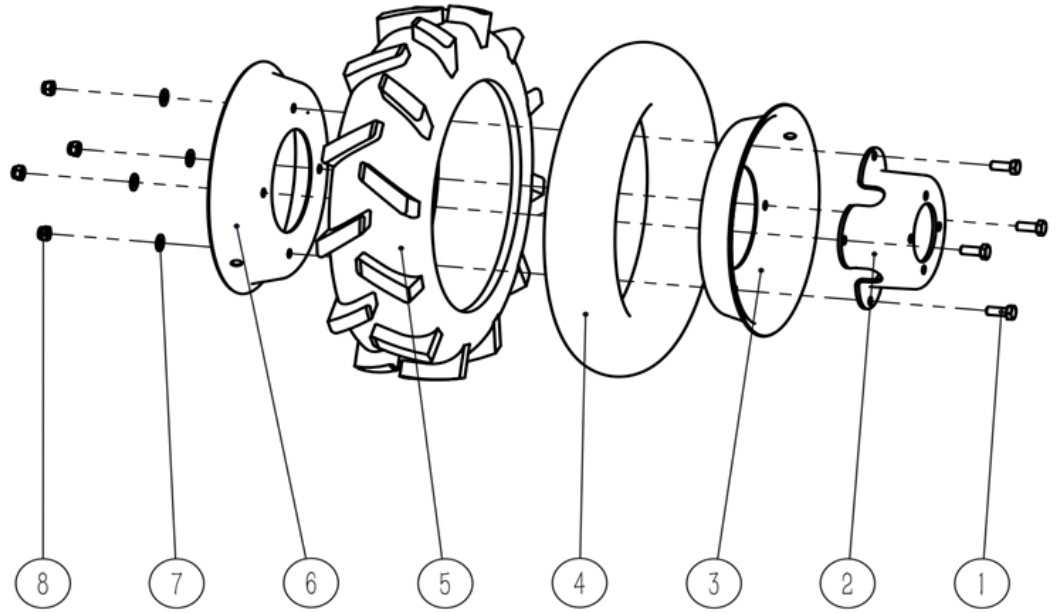
No.	Product code	Description	Quantity
1	DUPYX730-0302070100	output rod	1
2	DUPGB/T 97.1-2002	12 flat washer	2
3	DUPYX730-0302070400	output link spring	1
4	DUPYX730-0302070300	output rod link space limit fixer	1
5	DUPYX730-0302070200	output rod lever	1
6	DUPGB/T 879.1-2000	Elastic cylindrical pin (straight groove)	3
7	DUPYX730-0302070500	output joystick link	1

GEAR BOX TOP COVER ASSEMBLY



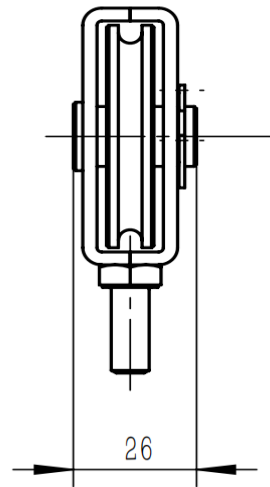
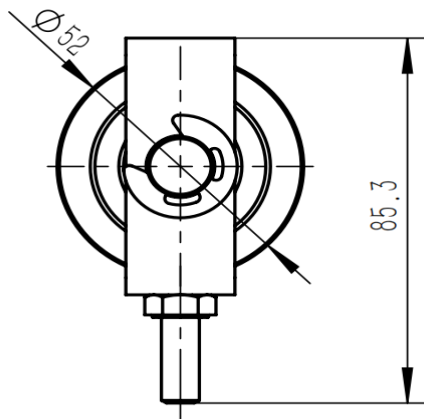
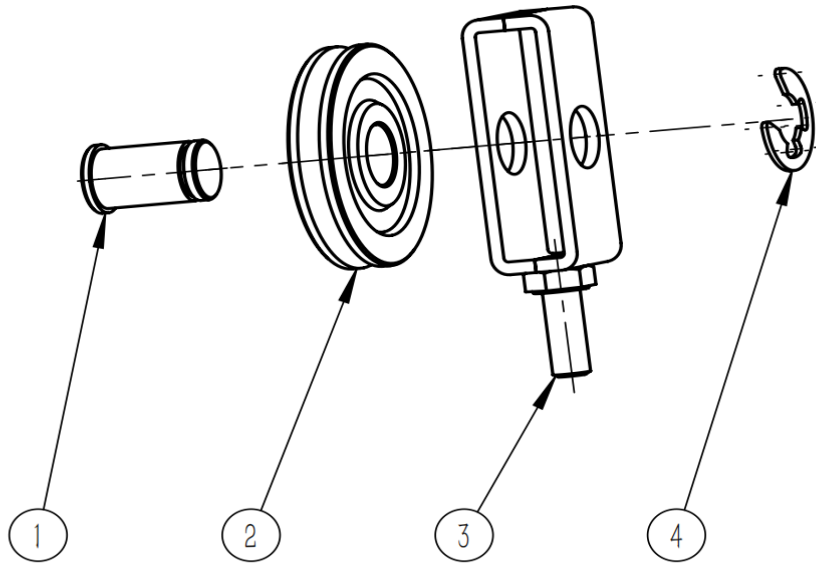
No.	Product code	Description	Quantity
1	DUPYX730-0303020000	differential lever	1
2	DUPYX730-0303010000	gear box top cover	1
3	DUPGB/T 3452.1-2005	O type rubber ring	1
4	DUPYX730-0303040000	differential lever torsion spring	1
5	DUPGB/T 896-1986	open retainer ring	1
6	DUPGB/T 97.1-2002	flat washer	1
7	DUPYX730-0303030000	differential fork plate	1
8	DUPGB/T 93-1987	elastic retaining ring	1
9	DUPYX730-0303050000	differential lock cable fixer	1
10	DUPGB/T 6170-2000	hexagon bolt	1

WHEEL ASSEMBLY



No.	Product code	Description	Quantity
1	DUPGB/T 5783-2000	Hexagon bolt full thread 12.9class	4
2	DUPYX730-0402000000	wheel connector	1
3	DUPYX730-0401010000	rim	1
4	DUPYX730-0401030000	tube	1
5	DUPYX730-0403000000	out tyre	1
6	DUPYX730-0401020000	rim (with hole)	1
7	DUPGB/T 97.1-2002	10 flat washer	4
8	DUPGB/T 6182-2010	Hexagon lock nut with non-metallic Insert	4

CLUTCH CABLE PULLEY FIXER ASSEMBLY



No.	Product code	Description	Quantity
1	DUPYX730-01090900	pulley shaft of clutch cable	1
2	DUPYX730-01090700	pulley of clutch cable	1
3	DUPYX730-01090800	pulley fixer	1
4	DUPGB/T 896-1986-1	open retainer ring	1