

POWERED BY

# DUCAR

PROPULSÉ PAR

## Parts diagram

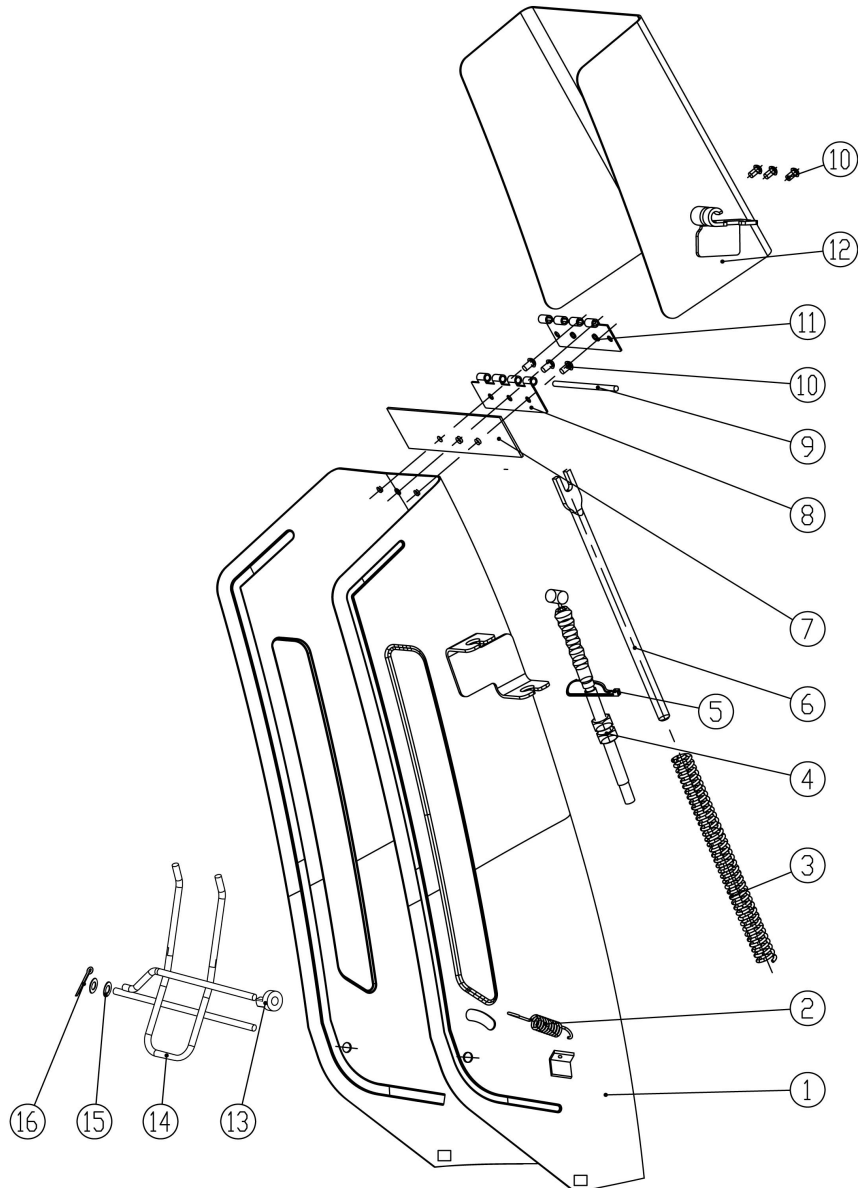


The model may differ slightly from the picture

# DUESB726

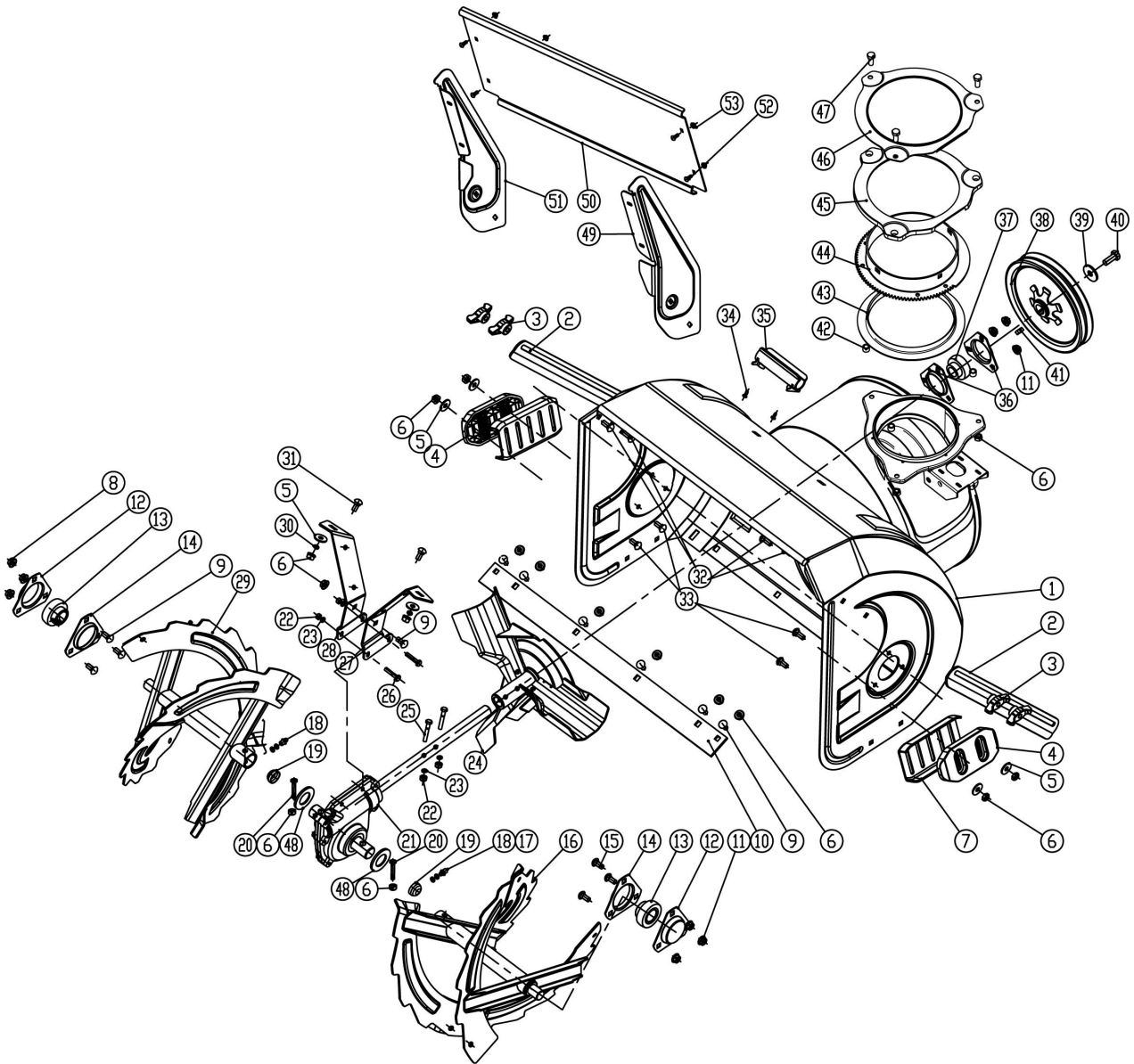
## 26" Snowblower

# CHUTE



	<b>Part number</b>	<b>Part name</b>	<b>Quantity</b>
<b>1</b>	DUPKC42A-03A-1A	Chute welded	1
<b>2</b>	DUPKC55-03-17	Handle spring	1
<b>3</b>	DUPKC30A-05-2	Chute spring	1
<b>4</b>	DUPKC30A-05-4	Chute wire	1
<b>5</b>		Nylon cable ties 2.5 X 150	1
<b>6</b>	DUPKC30A-05-3	Support pole	1
<b>7</b>	DUPKC42A-03-2	Big sealing pad	1
<b>8</b>	DUPKC30A-05-6	Lower hinge	1
<b>9</b>	DUPKC30A-05-7	Hinge shaft	1
<b>10</b>	DUPGB/T12618-1990	Rivet 4x10	7
<b>11</b>	DUPKC30A-05-08	Upper hinge	1
<b>12</b>	DUPKC42A-03-3A	Deflector welded	1
<b>13</b>	DUPKC21-23	Washer	1
<b>14</b>	DUPKC42A-03-4	Safety rod	1
<b>15</b>	DUPKC55-26	Plastic washer	1
<b>16</b>	DUPGB/T91-2000216	Split pin 2X16	1

# SNOWBLOWER ASSEMBLY

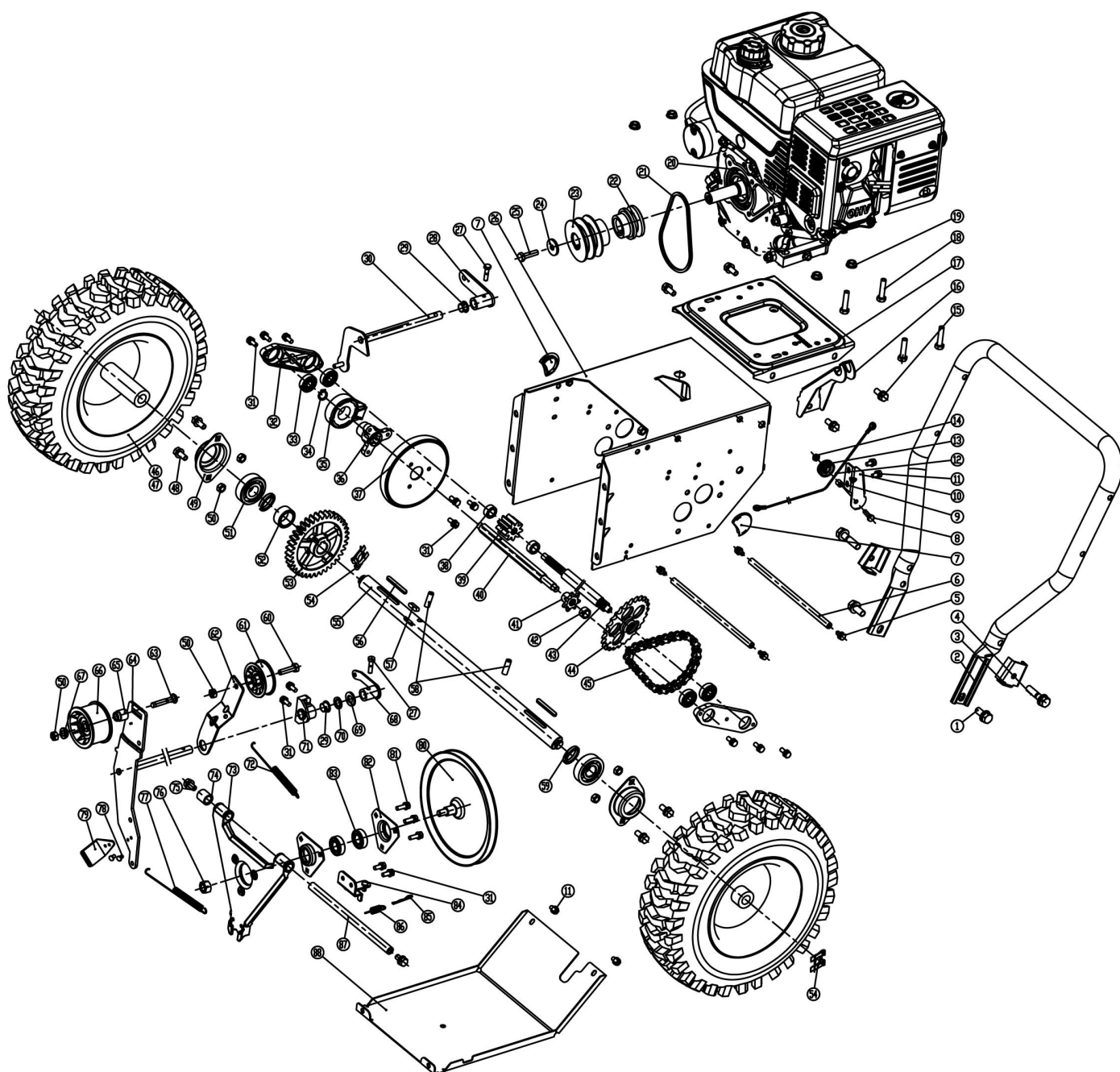


	<b>Part number</b>	<b>Part name</b>	<b>Quantity</b>
<b>1</b>	DUPKCA26-01-01A	Housing	1
<b>2</b>	DUPKC26-01-06	Housing support rod	2
<b>3</b>	DUPKC55-25	Plastic nut	4
<b>4</b>	DUPKC42-01-02	Composite skid shoe	2
<b>5</b>	GB/T96.2-2002	big washer 8	6
<b>6</b>	GB/T889.1-2000-8	jam nut M8	18
<b>7</b>	DUPKCA34-01-10	Metal skid shoe	2
<b>8</b>	GB/T6183.1-2000	jam nut M8	16
<b>9</b>	GB/T12-1988-16	Bolt M8x16	7
<b>10</b>	DUPKC26-01-03	Scraper blade	1
<b>11</b>	DIN6927	lock nut M8	9
<b>12</b>	DUPKC42-01-05A	Bearing cover	2
<b>13</b>	DUPGB/T7810-1995	Bearing SB205	2
<b>14</b>	DUPKC42-01-04A	Bearing seat	2
<b>15</b>	GB/T12-1988-18	bolt M8x18	6
<b>16</b>	DUPKCA26-01-02	Auger,right	1

# SNOWBLOWER ASSEMBLY

	<b>Part number</b>	<b>Part name</b>	<b>Quantity</b>
<b>17</b>	GB/T95-2002	flat washer 8	4
<b>18</b>	DUPJB/T7940.1-1995	Oil cup M8x1	2
<b>19</b>	DUPKCA34-01-03	Grease cap	2
<b>20</b>	DUPKCA34-01-04	Safety pin	2
<b>21</b>	DUPKCA34-01-05	Gearbox	1
<b>22</b>	GB/T889.1-2000-6	jam nut M6	4
<b>23</b>	GB/T93-1987-6	spring washer 6	4
<b>24</b>	DUPKCA34-01-06	Impeller	1
<b>25</b>	GB/T5782-200040	bolt M6x40	2
<b>26</b>	GB/T5782-200030	bolt M6x30	2
<b>27</b>	DUPKCA34-01-07R	Support right	1
<b>28</b>	DUPKCA34-01-07L	Support left	1
<b>29</b>	DUPKCA26-01-03	Auger, left	1
<b>30</b>	GB/T93-1987-8	spring washer 8	2
<b>31</b>	DUPGB/T12-1988	bolt M8x20	2
<b>32</b>	DUPGB/T12-1988	bolt M8x20	4
<b>33</b>	GB/T12-1988-25	bolt M8x25	4
<b>34</b>	GB/T845-1985-95	screw ST4.2x9.5-F	2
<b>35</b>	DUPKC55-01-21	Shovel support	1
<b>36</b>	DUPKC42-01-20	Bearing seat	2
<b>37</b>	DUPSB204	Bearing	1
<b>38</b>	DUP4LXP900	Impeller pulley	1
<b>39</b>	GB/T5287-2002	super washer 10	1
<b>40</b>	GB/T5780-2000-25	bolt M10x25	1
<b>41</b>	GB/T1095-2003	flat key A 6x20	1
<b>42</b>	DUPKCA34-01-14	Pad	3
<b>43</b>	DUPKCA34-01-15	Gear plate gasket	1
<b>44</b>	DUPKCA34-01-16	Gear plate	1
<b>45</b>	DUPKCA34-01-17	Gear plate cover	1
<b>46</b>	DUPKCA34-01-18	Gear plate outer cover	1
<b>47</b>	GB/T5780-2000-20	bolt M8*20	3
<b>48</b>	DUPKCA34-01-09	Plastic washer	2
<b>49</b>	DUPKCA34-01-11	Higher panel support, right (optional)	1
<b>50</b>	DUPKCA26-01-04	Higher panel(optional)	1
<b>51</b>	DUPKCA34-01-13	Higher panel support, left (optional)	1
<b>52</b>	GB/T12-1988-16	bolt M8x16 (optional)	4
<b>53</b>	GB/T6183.1-2000	jam nut M8 (optional)	4

# ENGINE-TRANSMISSION



	Part number	Part name	Quantity
1	GB/T9074.17-1988	Bolt M10x25	2
2	DUPKC90-02-21A	Handlebar	1
3	DUPKC55-02-25A	Handlebar spacer	2
4	GB/T9074.17-1988	Bolt M10x45	2
5	GB/T9074.17-1988	Bolt M6x12	8
6	DUPKC30A-02-30	Support rod	2
7	DUPKC30A-02-01	Cover 1	2
8	GB/T5780-2000	Bolt M6x20	1
9	DUPKC21-02-2	Bushing	1
10	DUPKCM24-02C-19	Pulley seat	1
11	GB/T9074.17-1988	Bolt M6X12	4
12	DUPKC21-02C-01	Short Throttle Cable	1



# ENGINE-TRANSMISSION

	<b>Part number</b>	<b>Part name</b>	<b>Quantity</b>
<b>13</b>	DUPKC40-28	Pulley	1
<b>14</b>	GB/T899.1-2000	Lock nut M6	1
<b>15</b>	GB/T9074.17-1988	Bolt M8X20	4
<b>16</b>	DUPKC30A-02-02	Connecting plate	1
<b>17</b>	DUPKC21-02C-03	Engine mount	1
<b>18</b>	GB/T5780-2000	Bolt M8X40	4
<b>19</b>	DIN6927	Lock nut M8	4
<b>20</b>	DUPSN420-A	Engine	1
<b>21</b>	DUP3LXP820	Belt	1
<b>22</b>	DUPKC30A-02-03	Drive wheel	1
<b>23</b>	DUP3LPX820	Belt pulley	1
<b>24</b>	GB/T5287-2002	Super washer 8	1
<b>25</b>	GB/T5786-2000	Bolt M8X1X30	1
<b>26</b>	DUPKC30A-02-04A	Transmission box assembly	1
<b>27</b>	GB/T9074.17-1988	Bolt M6X20	2
<b>28</b>	DUPKC30-02-12	Gear connector	1
<b>29</b>	DUPKC90-02-07	Plastic bushing	2
<b>30</b>	DUPKC55-02-05	Shift fork	1
<b>31</b>	GB/T9074.17-1988	Bolt M6X16	13
<b>32</b>	DUPKC30A-02-05	Bearing seat	2
<b>33</b>	DUPGB/T276-1997-1	Bearing 6200	4
<b>34</b>	DUPGB/T894.1-1986A	Circlip 25	1
<b>35</b>	DUPKC21-02-13	Shift shaft bearing	1
<b>36</b>	DUPKC21-02-12B	Pulley hub	1
<b>37</b>	DUPKC21-02-11B	Rubber wheel	1
<b>38</b>	DUPKC30A-02-06	Sleeve 15x20x15	2
<b>39</b>	DUPKC30A-02-07	Gear	1
<b>40</b>	DUPKC30A-02-09	Hexagon shaft	1
<b>41</b>	DUPKC30A-02-11	Small chain wheel	1
<b>42</b>	DUPKC30A-02-12	Sleeve 12x15x8	1
<b>43</b>	DUPKC30A-02-10-2	Transit axle	1
<b>44</b>	DUPKC30A-02-10-1	Wheel sprocket	1
<b>45</b>	DUPGB/T1243-1997	Chain 085-32	1
<b>46</b>	DUP16X4.80-8	16X4.80-8 tyre	2
<b>47</b>	DUPKC30A-02-13	Rim	2
<b>48</b>	GB/T9074.17-1988	Bolt M6x16	4
<b>49</b>	DUPKC90-02-11	Pillow block bearing	2
<b>50</b>	GB/T899.1-2000	Lock nut M8	6
<b>51</b>	DUPGB/T276-2013-2	Ball bearing 6205	2
<b>52</b>	DUPKC30A-02-14	Sleeve 25x34x16	1
<b>53</b>	DUPKC30B-02-02A	Sleeve	1
<b>54</b>	DUPKC90-03-07	Clip	2

# ENGINE-TRANSMISSION

	<b>Part number</b>	<b>Part name</b>	<b>Quantity</b>
<b>55</b>	DUPKC30B-02-03	Pin 6x40	1
<b>56</b>	GB/T1566-2003	Flat key 6x4x45	2
<b>57</b>	GB/T1095-2003	Flat key 8x7x22	1
<b>58</b>	GB/T879.2-2000	Cylindrical pin 8x30	2
<b>59</b>	DUPKC30A-02-21	Short shaft sleeve 25x34x6	2
<b>60</b>	GB/T5780-2000	Bolt M8x30	1
<b>61</b>	DUPKC55-02-21	Tension pulley	1
<b>62</b>	DUPKC30A-02A-4	Tension lever	1
<b>63</b>	GB/T12-1988	Bolt M8X45	1
<b>64</b>	DUPKC30A-02A-5	Tension arm	1
<b>65</b>	DUPKC55-01-24	Bushing	1
<b>66</b>	DUPKC55-01-27	Large tension pulley	1
<b>67</b>	DUPKC55-01-26	Cushion	1
<b>68</b>	DUPKC30A-02-31	Clutch lever	1
<b>69</b>	GB/T848-2002	Flat washer; 12	1
<b>70</b>	GB/T955-1987	Spring washer 12	1
<b>71</b>	DUPKC21-02C-09	Adapter block	1
<b>72</b>	DUPKC90-02-15	Spring	1
<b>73</b>	DUPKC30A-02-23	Friction disc support	1
<b>74</b>	DUPKC30A-02-24	Sleeve 13x20x20	1
<b>75</b>	GB/T9074.17-1988	Bolt M8X16	2
<b>76</b>	GB/T899.1-2000	Lock nut M12	1
<b>77</b>	DUPKC21-02C-12	Brake tension spring	1
<b>78</b>	GB/T 109-1986	Rivet 4x12	2
<b>79</b>	DUPKC30A-02-25	Brake pad	1
<b>80</b>	DUPKC21-02C-13	Pulley	1
<b>81</b>	GB/T9074.17-1988	Bolt M6x20	3
<b>82</b>	DUPKC90-02-12	Triangle flange bearing	2
<b>83</b>	GB/T276-1997	Ball bearing 6002	2
<b>84</b>	DUPKC30A-02-27	Bracket	1
<b>85</b>	DUPS03*00493	B Pin;1.5X25	1
<b>86</b>	DUPKC21-02C-17	Reset spring	1
<b>87</b>	DUPKC90-02-31	Support rod	1
<b>88</b>	DUPKC30A-02-26A	Bottom plate for transmission box	1