

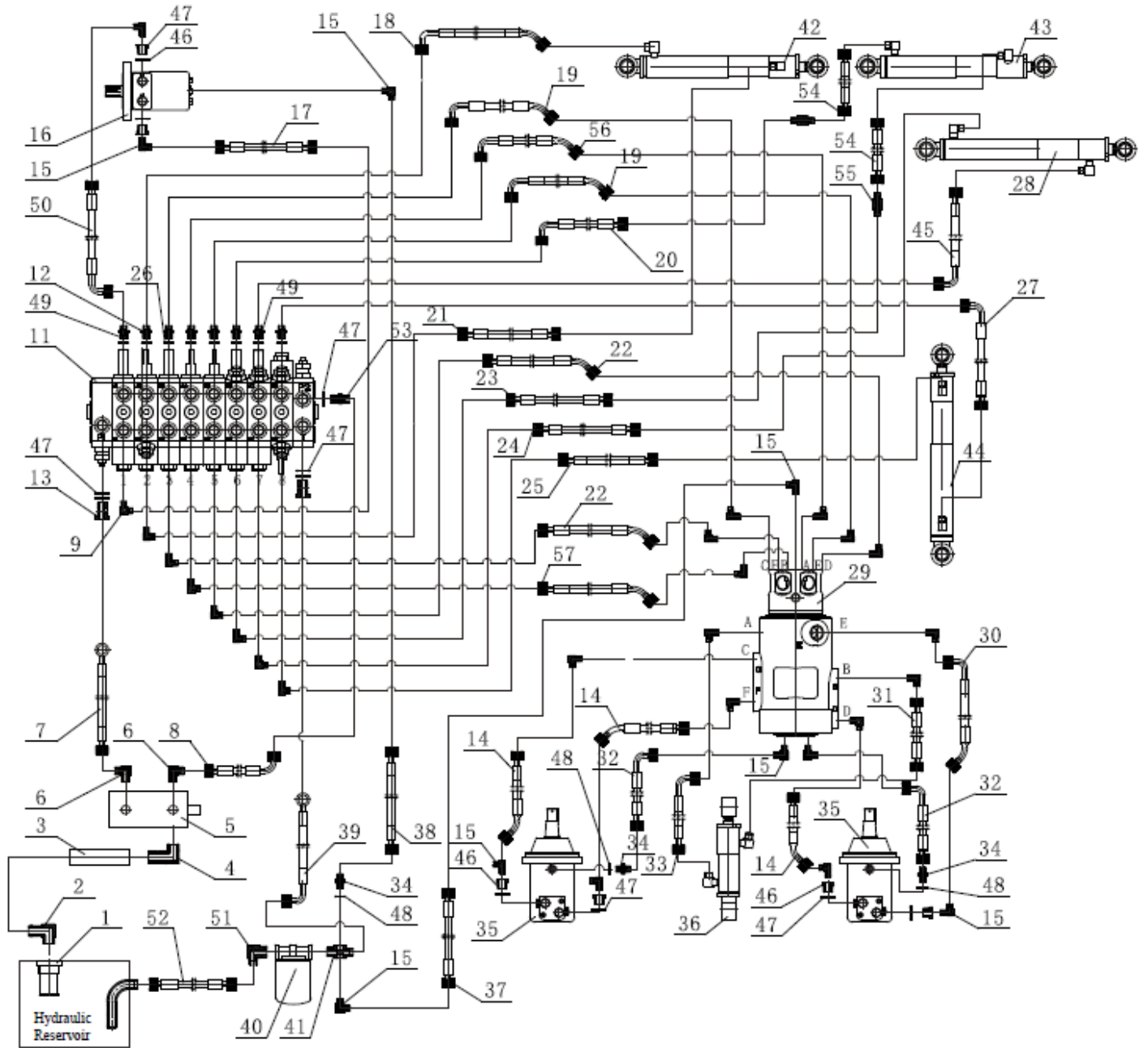
LITTLE BEAVER

**Excavator 28" - 0.8T Little beaver
DUEEXCAV-28**



PARTS MANUAL

Hydraulic part list



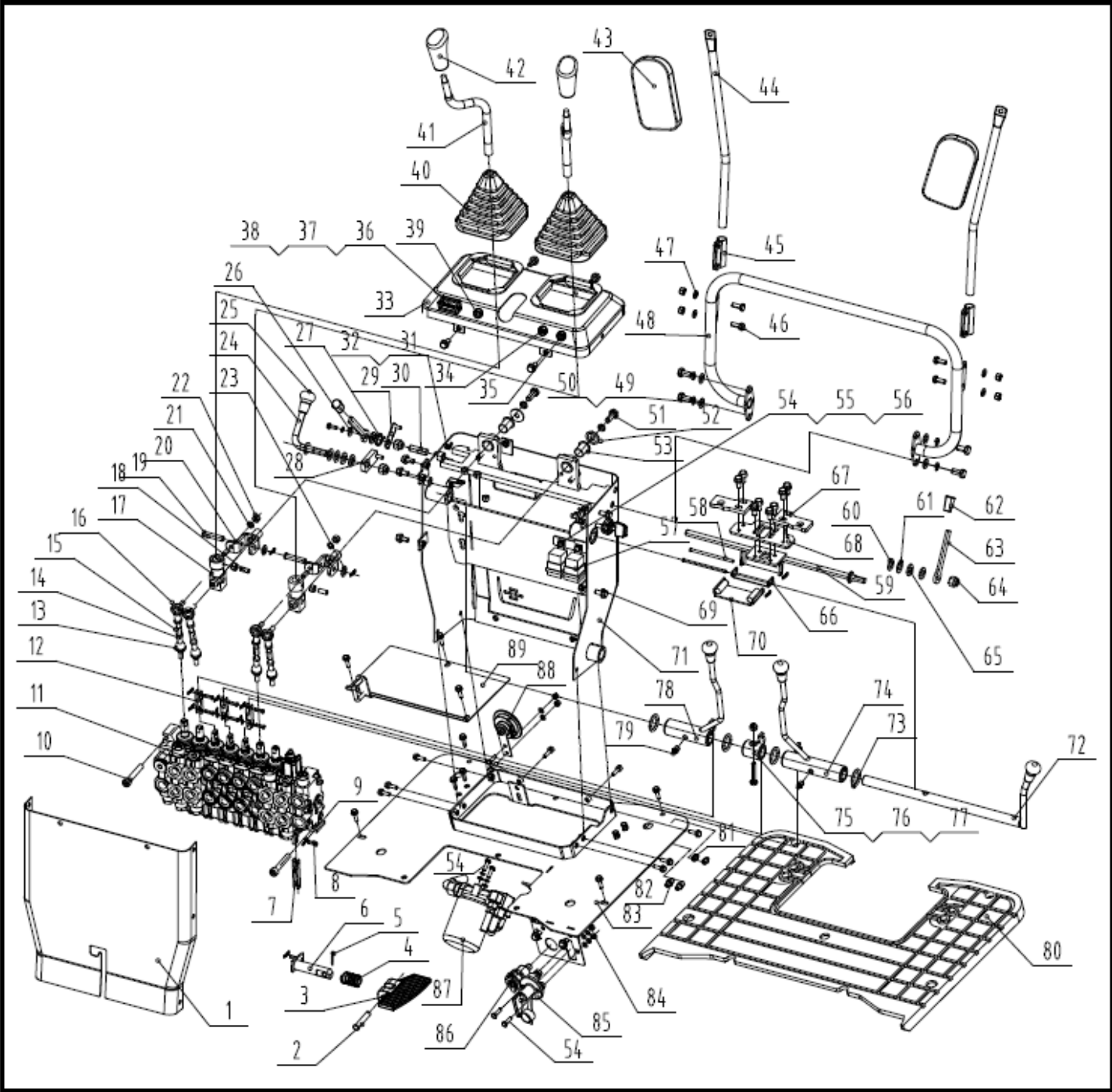
Hydraulic part list

| No. | Product code | Description | Quantity |
|-----|------------------|------------------------------------|----------|
| 1 | DUP100105 | Oil Filter | 1 |
| 2 | DUP29575.70.110 | Oil Suction Angle Connector | 1 |
| 3 | DUP29575.70.150 | Oil Suction Pipe | 1 |
| 4 | DUP29575.70.121 | Pump Inlet Angle Connector | 1 |
| 5 | DUP29575.20.194 | Double Gear Pump | 1 |
| 6 | DUP29575.70.106 | Angle Connector | 2 |
| 7 | DUP29575.70.135 | Pump Front Outlet Hose | 1 |
| 8 | DUP29575.70.136 | Pump Rear Outlet Hose | 1 |
| 9 | DUP26515.60.120 | Transition Joint G3/8-M14x1.5 | 8 |
| 10 | DUP29575.70.107 | Angle Connector | 2 |
| 11 | DUP29575.60.095A | Multi-way Valve Assembly | 1 |
| 12 | DUP29575.70.105 | Straight Connector | 6 |
| 13 | DUP29575.70.118 | G1/2 Hollow Bolt | 2 |
| 14 | DUP29575.70.115 | Travel Motors Oil Hose | 3 |
| 15 | DUP29575.70.104 | Angle Connector | 20 |
| 16 | DUP29572.10.302 | Rotary Motor | 1 |
| 17 | DUP29575.70.141 | Rotary Motor Oil Hose | 1 |
| 18 | DUP29575.70.144 | Oil Hose 1 for Bucket Arm Cylinder | 1 |
| 19 | DUP29575.70.137 | Valve-Swivel Joint Oil Hose (C,E) | 2 |
| 20 | DUP29575.70.146 | Bucket Cylinder Oil Hose 1 | 1 |
| 21 | DUP29575.70.145 | Oil Hose 2 for Bucket Arm Cylinder | 1 |
| 22 | DUP29575.70.114 | Valve-Swivel Joint Oil Hose (D,F) | 2 |
| 23 | DUP29575.70.147 | Bucket Cylinder Oil Hose 2 | 1 |
| 24 | DUP29575.70.143 | Boom Cylinder Oil Hose 2 | 1 |
| 25 | DUP29575.70.140 | Side Swing Cylinder Oil Hose 2 | 1 |
| 26 | DUP3/8 JB/T982 | Bonded Washer | 8 |
| 27 | DUP29575.70.139 | Side Swing Cylinder Oil Hose 1 | 1 |
| 28 | DUP29575.30.060 | Boom Cylinder | 1 |
| 29 | DUP29575.10.189 | Centre Swival Joint | 1 |
| 30 | DUP29575.70.116 | Right Travel Motor Oil Hose | 1 |
| 31 | DUP29575.70.112 | Dozer Cylinder Oil Hose 2 | 1 |
| 32 | DUP29575.70.113 | Travel Motor Oil Drain Hose | 2 |
| 33 | DUP29575.70.111 | Dozer Cylinder Oil Hose 1 | 1 |
| 34 | DUP29575.70.102 | Straight Connector | 3 |
| 35 | DUP29575.10.193A | Hydraulic Motor | 2 |
| 36 | DUP29575.10.070 | Dozer Cylinder | 1 |
| 37 | DUP29575.70.134 | Swival Joint Oil Drain Hose | 1 |
| 38 | DUP29575.70.133 | Rotary Motor Oil Drain Hose | 1 |
| 39 | DUP29575.70.132 | Oil Return Hose | 1 |
| 40 | DUP29575.50.104 | Oil Return Filter | 1 |

Hydraulic part list

| No. | Product code | Description | Quantity |
|-----|-------------------|-----------------------------------|----------|
| 41 | DUP29575.70.109 | Four-way Joint | 1 |
| 42 | DUP29575.30.050 | Bucket Arm Cylinder | 1 |
| 43 | DUP29575.30.040 | Bucket Cylinder | 1 |
| 44 | DUP29575.00.010 | Side Swing Cylinder | 1 |
| 45 | DUP29575.70.142 | Boom Cylinder Oil Hose 1 | 1 |
| 46 | DUP26515.20.228 | G1/2-G1/4 Through-core connector | 6 |
| 47 | DUP1/2 JB/T982 | Bonded Washer | 11 |
| 48 | DUP1/4 JB/T982 | Bonded Washer | 3 |
| 49 | DUP29575.70.105-1 | Straight Connector (with shutoff) | 2 |
| 50 | DUP29575.70.141-1 | Rotary Motor Oil Hose | 1 |
| 51 | DUP29575.70.138 | Angle Connector | 1 |
| 52 | DUP29575.70.148 | Oil Return Hose | 1 |
| 53 | DUP29575.70.107 | Straight Connector | 1 |
| 54 | DUP29575.70.149 | Bucket Cylinder Oil Hose | 2 |
| 55 | DUP29575.70.131 | Extended Nipple | 2 |
| 56 | DUP29575.70.153 | Valve-Swivel Joint Oil Hose (A) | 1 |
| 57 | DUP29575.70.119 | Valve-Swivel Joint Oil Hose (B) | 1 |

Control center parts list



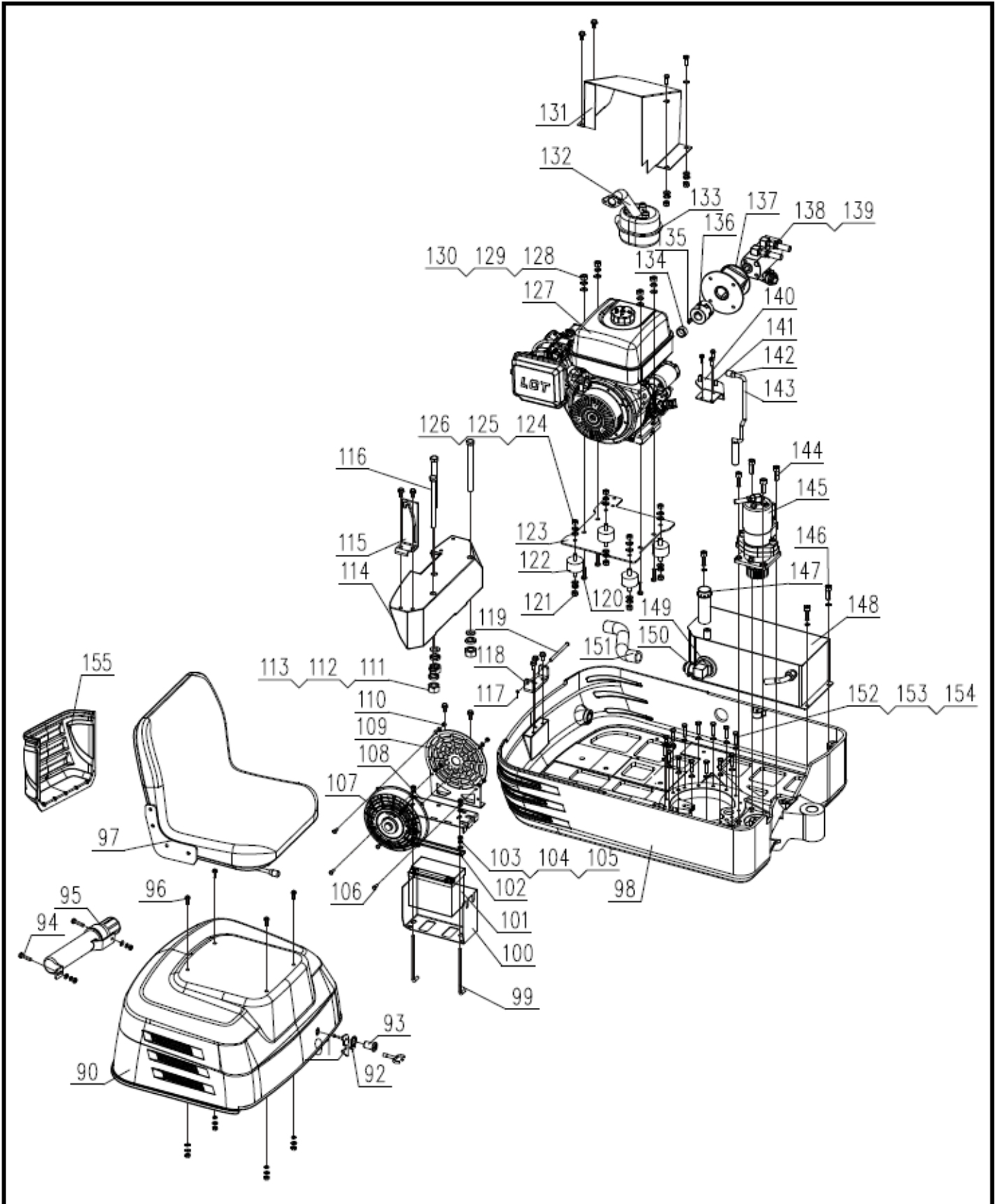
Control center parts list

| No. | Product code | Description | Quantity |
|-----|----------------------------|--|----------|
| 1 | DUP29575.60.323 RAL9005 | Control Cabinet- Rear Plate | 1 |
| 2 | DUPD10*55GB8882 | Pedal Pin Shaft D10x55 | 1 |
| 3 | DUP29575.60.214 RAL9005 | Boom Swing Pedal | 1 |
| 4 | DUP29575.60.213 | Pedal Shaft Spring | 1 |
| 5 | DUPGB/T91 | Pedal Pin Shaft - Cotter Pin D2x16 | 1 |
| 6 | DUP29575.60.017 | Boom Swing Pedal-Shaft Weldment | 1 |
| 7 | DUP29575.60.216 | Valve Bottom Connecting Rod | 1 |
| 8 | DUP5*18*2*15 GB/T882 | Connecting Rod- Shaft Pin D5x18 | 7 |
| 9 | DUP29575.60.104 | Connecting Rod- Cotter Pin D1.5x16 | 11 |
| 10 | DUPGB/T70.1 8.8 | Screw M10x60 | 2 |
| 11 | DUP29575.60.095A | Multi-Way Valve Assembly | 1 |
| 12 | DUP29575.60.212 | Connecting Rod | 3 |
| 13 | DUP29575.60.210 | Straight Joint Bearing M8 | 2 |
| 14 | DUPGB/T6170 | Nut M8 | 4 |
| 15 | DUP29575.60.211 | Connecting Rod M8x80 | 4 |
| 16 | DUP29575.60.105 | Elbow Lever Knob Joint Bearing SQ8-RS JB/T5306 | 2 |
| 17 | DUP29575.60.144 | Operating Control Lever-Direction Block | 2 |
| 18 | DUPM8*25 GB/T77 | Screw M8x25 | 4 |
| 19 | DUP10*45 GB/T882 | Universal Support Pin Shaft 10x45 | 2 |
| 20 | DUP29575.60.020.145.146 | Operating Control Lever-Universal Joint Weldment | 2 |
| 21 | DUPGB/T93-1987 | Spring Washer D8 | 12 |
| 22 | DUPGB/T6170 | Nut M8 | 8 |
| 23 | DUPGB/T97.1 | Flat Washer D10 | 6 |
| 24 | DUP29575.60.081 | Cable Lever Weldment | 1 |
| 25 | DUP29575.60.143 | Dozer Ball Knob | 4 |
| 26 | DUPGB/T96 | Big Washer D6 | 1 |
| 27 | DUP29575.60.317 | Choke Torsion Spring | 1 |
| 28 | DUP29575.60.016 | Throttle Cable Plate Weldment | 1 |
| 29 | DUP29575.60.0315 | Choke Cable Plate Weldment | 1 |
| 30 | DUP29575.60.316 | Choke Lever Shaft | 1 |
| 31 | DUPGB/T889.1 | Lock Nut M5 | 1 |
| 32 | DUPGB/T5783 | Bolt M5x10 | 1 |
| 33 | DUP29575.60.019 RAL9005 | Control Cabinet- Top Plate Weldment | 1 |
| 34 | DUP29575.60.192 | Horn Button | 1 |
| 35 | DUP29575.60.107 | Headlamp Button | 1 |
| 36 | DUP29575.60.193 | Timer | 1 |
| 37 | DUPGB8818 (5*14) | Screw M4x14 | 2 |

| No. | Product code | Description | Quantity |
|-----|---------------------|--|----------|
| 38 | DUPGB/T889.1 | Lock Nut M4 | 2 |
| 39 | DUP29575.60.194 | Power Indicator Light | 1 |
| 40 | DUP29575.60.102 | Drive Lever Sleeve | 2 |
| 41 | DUP29575.60.138 | Left/Right Drive Lever | 2 |
| 42 | DUP29575.60.139 | Operating Ball Knob | 2 |
| 43 | DUP29575.80.005A | Rearview Mirror | 2 |
| 44 | DUP29575.60.328 | Rearview Mirror- Supporting Tube | 2 |
| 45 | DUP29575.60.329 | Rearview Mirror- Frame | 2 |
| 46 | DUPGB/T5781 | Bolt M8x25 | 6 |
| 47 | DUPGB/T97.1 | Flat Washer D8 | 4 |
| 48 | DUP29575.60.012 | Handle Weldment | 1 |
| 49 | DUPGB/T97.1 | Flat Washer D10 | 4 |
| 50 | DUPGB/T93-1987 | Spring Washer D10 | 6 |
| 51 | DUPGB/T5783 | Bolt M10x20 | 6 |
| 52 | DUP29575.10.108-A4 | Large Washer A4 | 2 |
| 53 | DUP26-20-18-25 | Copper Sleeve | 2 |
| 54 | DUPGB/T5781 | Bolt M6x16 | 9 |
| 55 | DUPGB/T93-1987 | Spring Washer D6 | 9 |
| 56 | DUPGB/T97.1 | Flat Washer D6 | 9 |
| 57 | DUPD2912 | Electric Relay | 2 |
| 58 | DUPGB882 | Pin D5x100 | 2 |
| 59 | DUP29575.60.015 | Lever Lock Rotating Shaft Weldment | 1 |
| 60 | DUP12-20-2 | Anti-Slip Wear Washer | 4 |
| 61 | DUPGB/T97.1 | Washer D12 | 4 |
| 62 | DUP29575.60.172 | Locking Handle | 2 |
| 63 | DUP29575.60.171 | Locking Lever | 2 |
| 64 | DUPGB/T889.1 | Lock Nut M12 | 3 |
| 65 | DUP12 GBT955-12 | Wave Spring Washer D12 | 2 |
| 66 | DUP29575.60.217 | Lock Plugboard-MiddleConnecting Plate | 1 |
| 67 | DUP29575.60.126.127 | Left/Right Lock Plugboard | 2 |
| 68 | DUP29575.60.127 | Locking Plate for Operating Lever | 1 |
| 69 | DUPGB/T5789 | Flange Bolt M8x16 | 37 |
| 70 | DUP29575.60.218 | Lock Plugboard Weldment | 1 |
| 71 | DUP29575.60.011 | Operation Dashboard- Front Guard Plate | 1 |
| 72 | DUP29575.60.041 | Rotating Shaft Weldment | 1 |
| 73 | DUP29575.60.103 | O-Ring 34x4 | 4 |
| 74 | DUP29575.60.061 | Right Handle Weldment | 1 |
| 75 | DUP29575.60.013 | Dozer Shaft Sleeve Weldment | 1 |
| 76 | DUPGB5783 | Bolt M8x45 | 1 |

| No. | Product code | Description | Quantity |
|-----|----------------------------------|------------------------------------|----------|
| 77 | DUPGB889.1 | Lock Nut M8 | 1 |
| 78 | DUP29575.60.051 | Left Handle Weldment | 1 |
| 79 | DUPJB/T7940 | Grease Cup M6X1 | 2 |
| 80 | DUP29575.00.122 | Rubber Pads | 1 |
| 81 | DUPJB/T7940 | Grease Cup M10 | 2 |
| 82 | DUP29575.60.108 M10*1-M10*1-6 | PD610 Straight Fitting | 2 |
| 83 | DUP29575.60.090 | Control Cabinet- End Plate Wedment | 1 |
| 84 | DUPGB/T6170 | Nut M6 | 2 |
| 85 | DUP12VDC 10A | Battery Negative Switch | 1 |
| 86 | DUP29575.80.004A | Cigarette Lighter Socket | 1 |
| 87 | DUP29575.50.104 | Oil Filter | 1 |
| 88 | DUP29575.60.106A | Horn (DC12V 105dB high) | 1 |
| 89 | DUP29575.00.014 RAL9005 | Engine Cover Plate Weldment | 1 |

Swivel platform spare parts list



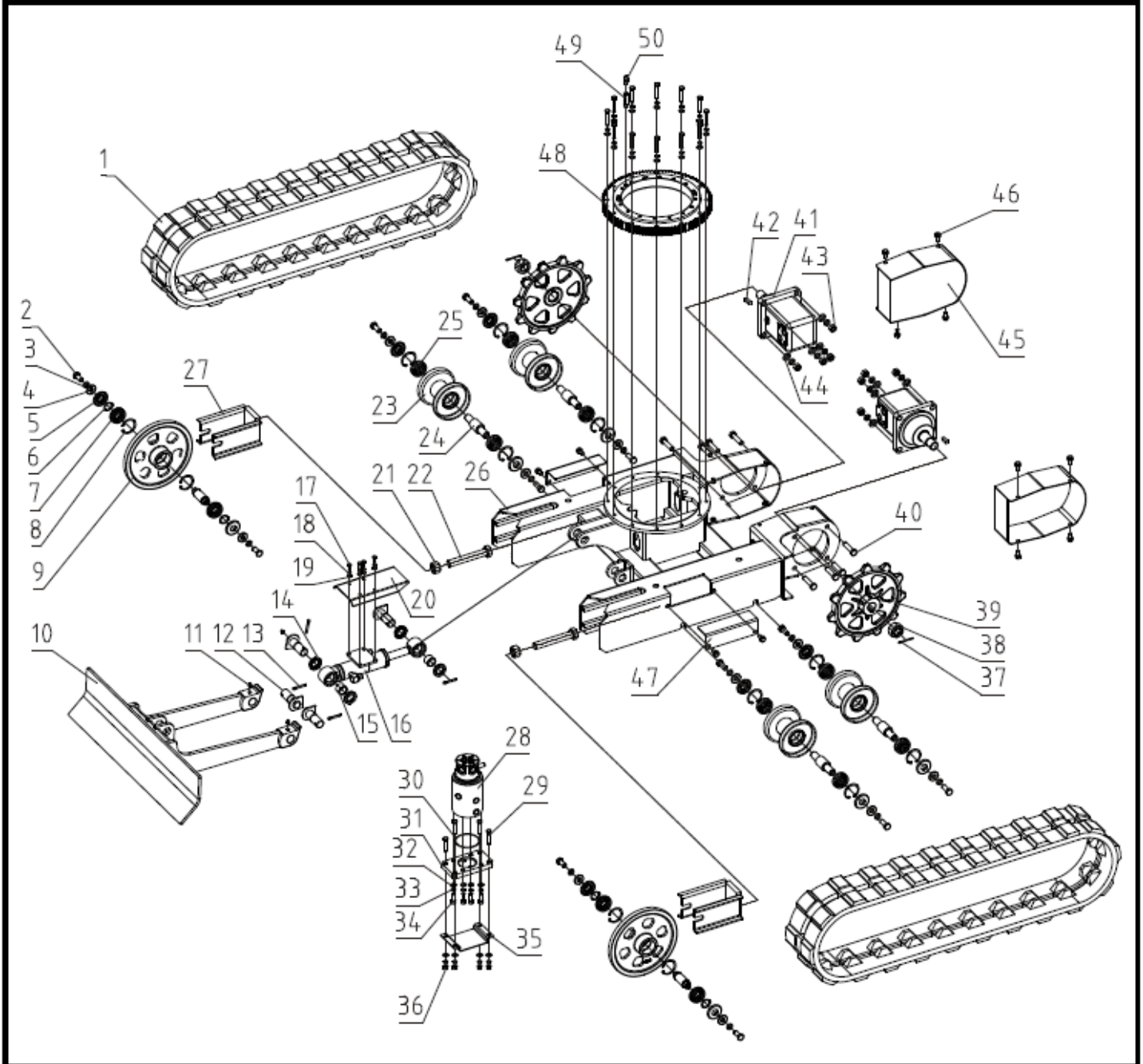
Swivel platform spare parts list

| No. | Product code | Description | Quantity |
|-----|----------------------------|--|----------|
| 90 | DUP29575.40.010 | Engine Cover Weldment | 1 |
| 91 | DUP29575.40.101 | Lock Hook | 1 |
| 92 | DUP29575.40.102 | Torsion Spring | 1 |
| 93 | DUP29575.80.003A | 40mm Triangle-Lock Core With Key | 1 |
| 94 | DUPGB/T5783 | Bolt M8x25 | 2 |
| 95 | DUP65876.00.190 | Manual Storage Cylinder | 1 |
| 96 | DUPGB/T 5789-1986 | Bolt M8x16 | 16 |
| 97 | DUP29575.40.104A | Excavator integrated seat (with slide) | 1 |
| 98 | DUP29575.20.110 RAL9005 | Swing Unit Platform | 1 |
| 99 | DUP29575.20.208 RAL9005 | Battery Lock Hook | 2 |
| 100 | DUP29575.20.103-A3 | Battery Mounting plate | 1 |
| 101 | DUP29575.80.007A | Battery | 1 |
| 102 | DUP29575.20.105 RAL9005 | Battery Fixing Plate | 1 |
| 103 | DUP8 GB/T93 | Spring Washer 8 | 31 |
| 104 | DUP8 GB/T97.1 | Flat Washer 8 | 33 |
| 105 | DUPM8 GB/T6170 | Nut M8 | 15 |
| 106 | DUPM6*14 GB/T70.1 | Screw M6x14 | 4 |
| 107 | DUP29575.80.106 | Fan | 1 |
| 108 | DUP29575.20.015 RAL9005 | Battery Cover Wedment | 1 |
| 109 | DUP29575.20.109 RAL9005 | Cooling Fan Mounting Frame | 1 |
| 110 | DUPGB/T889.1 | Lock Nut M6 | 4 |
| 111 | DUPM14 GB/T6170 | Nut M14 | 3 |
| 112 | DUP14 GB/T97.1 | Flat Washer 14 | 3 |
| 113 | DUP14 GB/T93 | Spring Washer 14 | 3 |
| 114 | DUP29575.20.201 RAL9005 | Counter Weight | 1 |
| 115 | DUP29575.20.107 RAL9005 | Motor Cover Turnover Support | 1 |
| 116 | DUPM14*170 GB/T5782 | Bolt M14x170 | 3 |
| 117 | DUP2*16 GB/T91 | Cotter Pin 2x16 | 1 |
| 118 | DUP29575.20.112 RAL9005 | Engine Cover Mounting Base | 1 |
| 119 | DUP8*110 GB/T882 | Pin 8x110 | 1 |
| 120 | DUPM12*35 GB/T5783 | Bolt M12x35 | 4 |
| 121 | DUPM10 GB/T6185.1 | All Metal Lock Nut M10 | 4 |

Swivel platform spare parts list

| No. | Product code | Description | Quantity |
|-----|--|--------------------------------------|----------|
| 122 | DUP29575.20.117A (M10*27 50*25) | Shock Absorber | 4 |
| 123 | DUP29575.20.014 RAL9005 | Engine Mounting Plate Weldment | 1 |
| 124 | DUPM10 GB/T6170 | Nut M10 | 4 |
| 125 | DUPGB/T97.1 | Flat Washer 10 | 8 |
| 126 | DUP10 GB/T93 | Spring Washer 10 | 12 |
| 127 | DUP29575.20.301F | Engine | 1 |
| 128 | DUPM12 GB/T889.1 | Nut M12 | 4 |
| 129 | DUP12 GB/T93 | Spring Washer 12 | 4 |
| 130 | DUP12GB/T97.1 | Flat Washer 12 | 4 |
| 131 | DUP29575.20.108 RAL9005 | Engine Guard Plate | 1 |
| 132 | DUP29575.20.032 RAL9005 | Connecting Hose Weldment For Muffler | 1 |
| 133 | DUP5040370 | Muffler - Inside Tank | 1 |
| 134 | DUP29575.20.207 | Coupler Sleeve | 1 |
| 135 | DUPGB1096-79 | Key 7x7x23 | 1 |
| 136 | DUP29575.20.011A KSP24 25*23-10*15 25.1 | Coupler KSP24 | 1 |
| 137 | DUP29575.20.012 | Gear Pump Frame | 1 |
| 138 | DUP29575.20.194C | Gear Pump | 1 |
| 139 | DUPGB/T5783 | Bolt M8x150 | 2 |
| 140 | DUP29575.20.116 RAL9005 | Muffler Frame | 1 |
| 141 | DUPGB/T5781 | Bolt M6x16 | 2 |
| 142 | DUP29575.40.103 | Locking Pin Handlebar Sleeve | 1 |
| 143 | DUP29575.00.016 | Locking Pin Weldment | 1 |
| 144 | DUPM10*35 GB/T70.1 | Screw M10x35 | 4 |
| 145 | DUP29575.20.020 | Rotary Motor Assy | 1 |
| 146 | DUPM8*25 GB/T70.1 | Screw M8x25 | 3 |
| 147 | DUP65988.10.127 | Hydraulic Oil Tank Cover | 3 |
| 148 | DUP29575.50.010 RAL9005 | Hydraulic Oil Tank Weldment | 1 |
| 149 | DUP100105 | Oil Suction Filter | 1 |
| 150 | DUP25-38 Q676B | Hose Clamp | 2 |
| 151 | DUP29575.70.150 | Suction Hose | 1 |
| 152 | DUPGB/T5783 | Flat Washer 8 | 16 |
| 153 | | Spring Washer 8 | 16 |
| 154 | | Bolt M8x55 | 16 |
| 155 | DUP29575.00.403 | Tool Box | 1 |

Chassis spare parts list



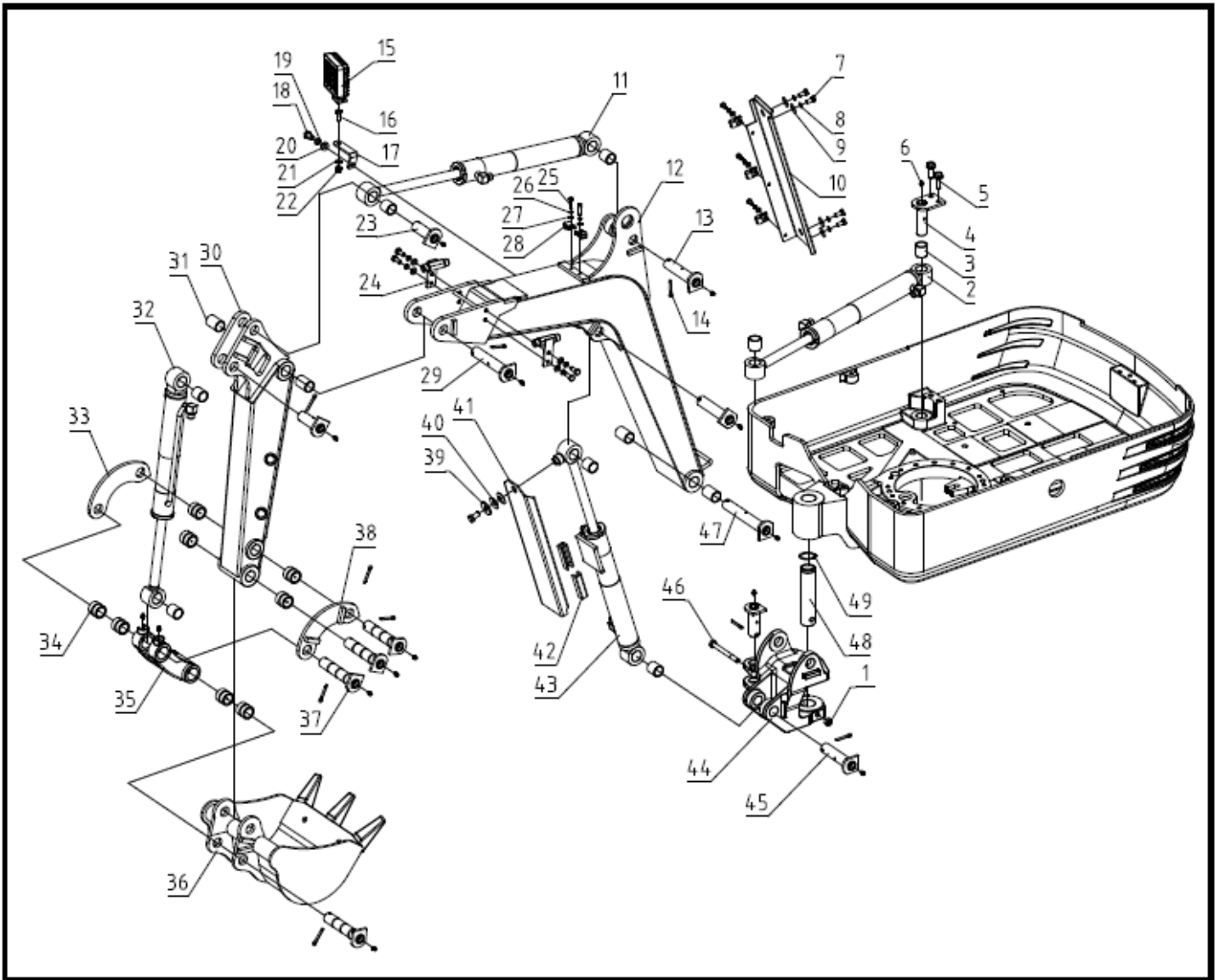
Chassis spare parts list

| No. | Product code | Description | Quantity |
|-----|-------------------|-------------------------------------|----------|
| 1 | DUP12957510191 | Rubber Track 150x72x32 | 2 |
| 2 | DUP20104012030388 | Bolt M12x30 | 12 |
| 3 | DUP204070120003 | Spring Washer 12 | 28 |
| 4 | DUP82957510108Z00 | Washer | 12 |
| 5 | DUP21016204707 | Seal B20x47x7 | 12 |
| 6 | DUP205020250001 | Circlip A25 | 4 |
| 7 | DUP20901060051 | Bearing 6005-2Rs | 4 |
| 8 | DUP205010470001 | Circlip A47 | 12 |
| 9 | DUP82957510151Z13 | Front Idler | 2 |
| 10 | DUP82957510030Z10 | Dozer | 1 |
| 11 | DUP2101100600 | Oil Cup 45° M6x1 | 2 |
| 12 | DUP82957510040Z00 | Dozer Pin Shaft Weldment | 4 |
| 13 | DUP2060500503503 | Cotter Pin 5x35 | 4 |
| 14 | DUP21015254007 | Seal B25x40x7 | 4 |
| 15 | DUP12957510167 | RCB-20 Boundary Lubricating Bearing | 2 |
| 16 | DUP82957510070Z30 | Dozer Cylinder | 1 |
| 17 | DUP20104006016388 | Bolt M6x16 | 17 |
| 18 | DUP204070060003 | Spring Washer 6 | 26 |
| 19 | DUP204140060003 | Flat Washer 6 | 20 |
| 20 | DUP82957510192Z13 | Dozer Cylinder Guard Plate | 1 |
| 21 | DUP2030302003 | Nut M20 | 2 |
| 22 | DUP20104012130388 | Hex Bolt M20x130 | 2 |
| 23 | DUP82957510021Z13 | Supporting Roller | 4 |
| 24 | DUP82957510130Z01 | Supporting Roller Axle | 4 |
| 25 | DUP20901062041 | Bearing 6204-2Rs | 8 |
| 26 | DUP82957510010Z10 | Base Weldment | 1 |
| 27 | DUP82957510051Z10 | Front Idler Fixing Frame | 2 |
| 28 | DUP12957510189A | Central Swivel | 1 |
| 29 | DUP20104008045388 | Bolt M8x45 | 32 |
| 30 | DUP210020720310 | O-Ring D72x3.1 | 1 |
| 31 | DUP82957510190Z00 | Central Swivel Mounting Plate | 1 |
| 32 | DUP204140080003 | Flat Washer 8 | 58 |
| 33 | DUP204070080003 | Spring Washer 8 | 58 |
| 34 | DUP202110080253 | Screw M8x25 | 11 |
| 35 | DUP82957510106Z10 | Central Swivel Guard Plate | 1 |
| 36 | DUP2030300803 | Nut M8 | 28 |
| 37 | DUP2060500404503 | Cotter Pin 4x45 | 2 |
| 38 | DUP1295751019A | Axle Nut 1-2OUNEF | 2 |
| 39 | DUP82957510104Z13 | Drive Sprocket | 2 |
| 40 | DUP20104012045388 | Bolt M12x45 | 8 |
| 41 | DUP12957510193A | Hydraulic Motor | 2 |

Chassis spare parts list

| No. | Product code | Description | Quantity |
|-----|-------------------|--|----------|
| 42 | DUP1295751019B | Arch Key 25.4x7 | 2 |
| 43 | DUP2039601201 | Hexagon Lock Nut M12 | 8 |
| 44 | DUP204140120003 | Flat Washer 12 | 23 |
| 45 | DUP82957510060Z10 | Motor Cover Weldment | 2 |
| 46 | DUP201070080163 | Flange Bolt M8x16 | 69 |
| 47 | DUP82957510101Z13 | Track-tension Adjusting Hole Cover | 2 |
| 48 | DUP12957510102 | Central Swing Circular Support | 1 |
| 49 | DUP12957510103 | Central Swing Circular Support-Lubricating Joint | 1 |
| 50 | DUP12957560108 | Straight Fitting PD610(With Neck Bush) | 4 |

Operating arm and bucket spare parts list



Operating arm and bucket spare parts list

| No. | Product code | Description | Quantity |
|-----|-------------------|--|----------|
| 1 | DUP2032301003 | Lock Nut M10 | 1 |
| 2 | DUP82957500010Z30 | Boom Swing Cylinder | 1 |
| 3 | DUP12957530115 | RCB-20 Boundary Lubricating Bearing 28x25x35 | 8 |
| 4 | DUP82957500011Z00 | Boom Swing Cylinder-Rear Pin Weldment | 1 |
| 5 | DUP201070080163 | Flange Bolt M8x16 | 2 |
| 6 | DUP2100900600 | Oil Cup M6 | 16 |
| 7 | DUP20104008016388 | Blot 8x16 | 4 |
| 8 | DUP204070080003 | Spring Washer 8 | 8 |
| 9 | DUP204020080003 | Flat Washer 8 | 4 |
| 10 | DUP82957530016Z13 | Boom Upper-hose Cover-Plate Weldment | 1 |
| 11 | DUP82957530050Z30 | Arm Cylinder | 1 |
| 12 | DUP82957530021Z13 | Boom Weldment | 1 |
| 13 | DUP82957530018Z00 | Boom Pin Shaft Weldment | 2 |
| 14 | DUP2060500503503 | Cotter Pin 5x35 | 12 |
| 15 | DUP12957580102A | Work Light | 1 |
| 16 | DUP20104008020388 | Bolt M8x20 | 7 |
| 17 | DUP82957530199Z10 | Light Mounting Plate | 1 |
| 18 | DUP20104010020388 | Bolt M10x20 | 2 |
| 19 | DUP204070100003 | Spring Washer 10 | 1 |
| 20 | DUP204140100003 | Flat Washer 10 | 1 |
| 21 | DUP204140080003 | Flat Washer 8 | 5 |
| 22 | DUP2032300803 | Lock Nut M8 | 1 |
| 23 | DUP82957530019Z00 | Arm Cylinder Pin Shaft Weldment | 3 |
| 24 | DUP29575.70.010 | Transition Fitting M14*1.5 | 2 |
| 25 | DUP202110060201 | Bolt M6x20 | 5 |
| 26 | DUP204070060003 | Spring Washer 6 | 5 |
| 27 | DUP204140060003 | Flat Washer 6 | 5 |
| 28 | DUP12957580105 | Connecting Pipe Clamp R-type | 5 |
| 29 | DUP82957530013Z00 | Arm Cylinder Pin Shaft Weldment | 1 |
| 30 | DUP82957530031Z13 | Arm Weldment | 1 |
| 31 | DUP12957530116 | RCB-20 Boundary Lubricating Bearing 28x25x40 | 4 |
| 32 | DUP82957530040Z30 | Bucket Cylinder | 1 |
| 33 | DUP82957530103Z10 | Arm Rocker-Right | 1 |
| 34 | DUP12957530158 | Bucket Shaft Sleeve | 8 |
| 35 | DUP82957530157Z10 | Connecting Rod | 1 |
| 36 | DUP82957530017Z10 | Shovel Weldment | 1 |
| 37 | DUP82957530015Z00 | Shovel Pin Weldment | 4 |
| 38 | DUP82957530014Z10 | Arm Rocker-Left | 1 |
| 39 | DUP204020100003 | Flat Washer 10 | 1 |
| 40 | DUP29906031501 | Wing Spring | 2 |

Operating arm and bucket spare parts list

| No. | Product code | Description | Quantity |
|-----|--------------------|---|----------|
| 41 | DUP82957530195Z13 | Boom Cylinder-Guide Plate | 1 |
| 42 | DUP12957530194 | Guide Plastic Block | 2 |
| 43 | DUP82957530060Z30 | Boom Up&Down Cylinder | 1 |
| 44 | DUP82957530101Z10 | Boom Swing Frame | 1 |
| 45 | DUP82957530012Z00 | Boom Swing Frame- Pin Shaft Weldment II | 1 |
| 46 | DUP201030101003109 | Bolt M10x100 | 1 |
| 47 | DUP82957530010Z00 | Boom Swing Frame- Pin Shaft Weldment I | 1 |
| 48 | DUP82957530102Z00 | Boom Swing Frame Pin Shaft 35x155 | 1 |
| 49 | DUP205020350001 | Circlip A35 | 1 |