

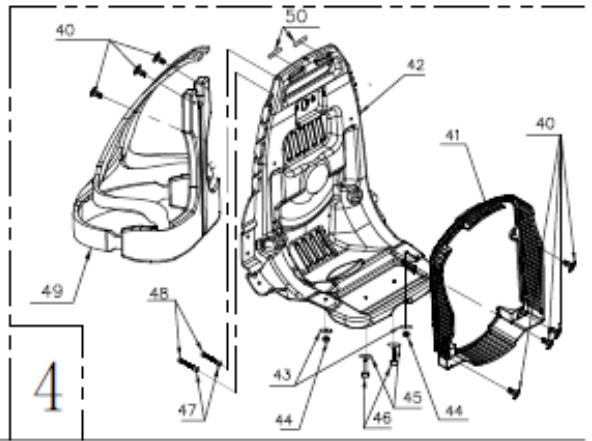
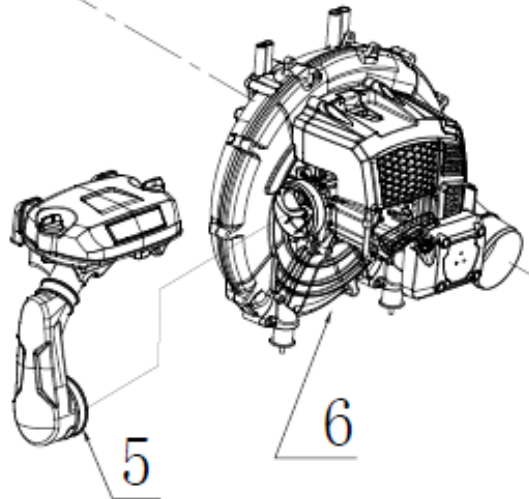
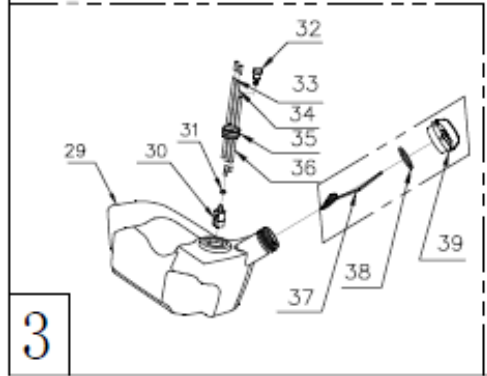
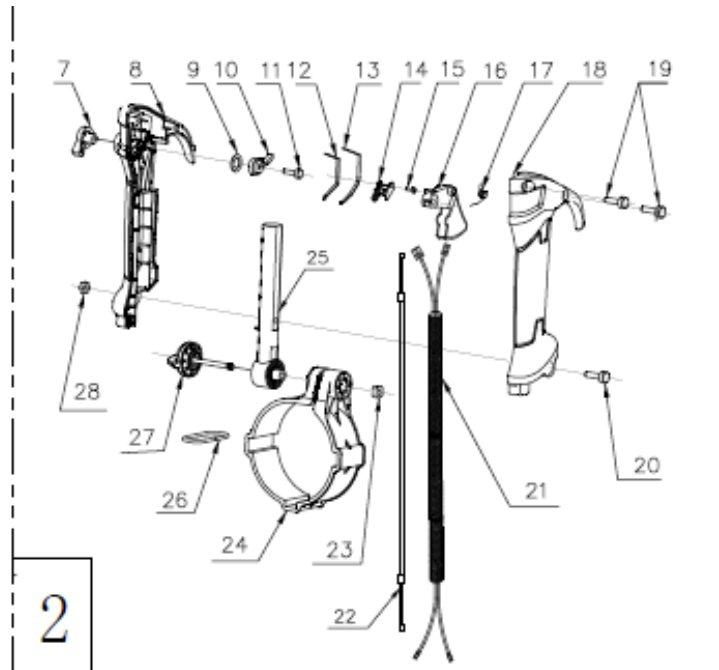
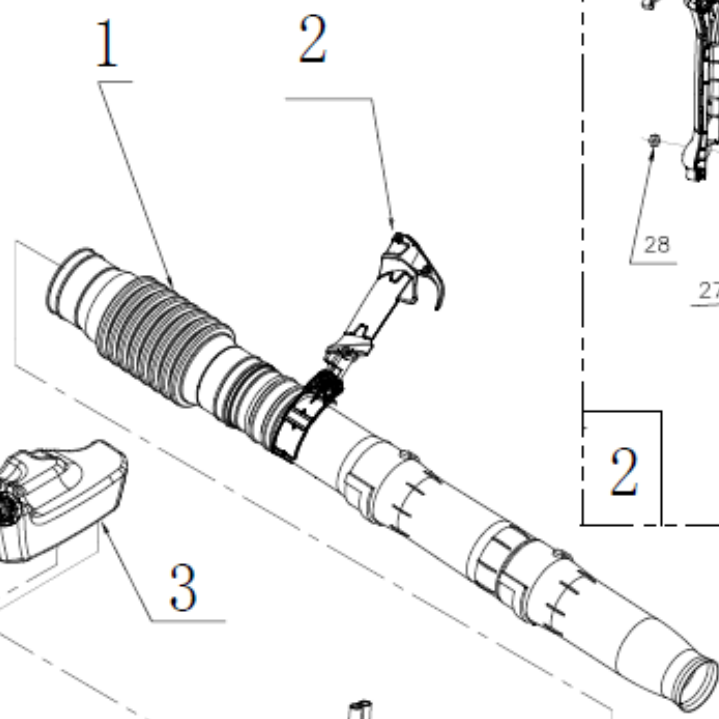
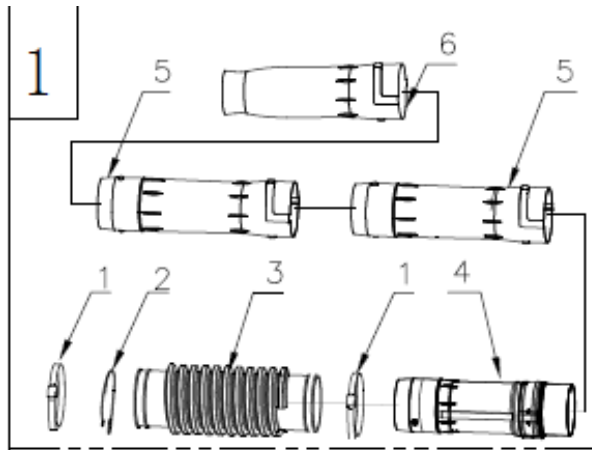
# LITTLE BEAVER

## Parts diagram



The model may differ slightly from the picture

**DUETBB376**  
**BACKPACK LEAFBLOWER - 75.6CC**



## 1 - BLOWPIPE ASSEMBLY

No.	Part number	Description	Qty
1	F76.0114.0005	HGO-12 stainless steel clamps ( $\phi$ 100-- $\phi$ 120)	2
2	F76.0101.0021	Snap ring	1
3	F76.0114.0002	Flexible hose	1
4	F76.0114.0100	Blowpipe (back)	1
5	F76.0114.0003	Blowpipe (middle)	2
6	F76.0114.0004	Blowpipe (front)	1

## 2 - HANDLE ASSEMBLY

No.	Part number	Description	Qty
7	F76.0112.0005	Speed knob	1
8	F76.0112.0100	Handle, left cover	1
9	GB/T755	Wave shape spring washer10	1
10	F76.0112.0004	Cruise control lever	1
11	GB6564	Self-tapping screw 4×16	1
12	F76.0112.0008	Leaf A	1
13	F76.0112.0009	Leaf B	1
14	F76.0112.0007	Limit plate	1
15	GB/T845	Self-tapping screw ST3.5×6	1
16	F76.0112.0006	Throttle push rod	1
17	F76.0112.0010	Trigger spring	1
18	F76.0112.0200	Handle, right cover	1
19	01.01.4111	Hexagon tapping screws ST5.0×14	2
20	F76.0112.0011	Hexagon screws M5X40	1
21	F76.0112.0300	Flame-out cable set	1
22	F76.0112.0400	Throttle cable	1
23	GB/T39	Square nut M5	1
24	F76.0112.0002	Handle seat retaining ring	1
25	F76.0112.0001	Handle seat	1
26	F76.0112.0003	Connecting shackle	1
27	F76.0104.0300	Locking knob	1
28	GB/T56	Hexagonal thick nut M5	1

### 3 - FUEL TANK ASSEMBLY

No.	Part number	Description	Qty
29	F76.0107.0100	Fuel tank	1
30	A38.0311.0500	Fuel filter	1
31	A45.0102.0103	Oil pipe clamping spring $\phi$ 7.5	1
32	A45.0111.0200	Balancer components	1
33	A38.0311.0002-1	Fuel pipe $\Phi$ 2.5*5	1
34	03.01.153	Transparent oil pipe	1
35	03.01.132	Fuel pipe $\Phi$ 2.5*5	1
36	C43.1107.0003	Retainer, fuel tube	1
37	C43.1107.0102	Anti-drop plate	1
38	C43.1107.0103	Sealing gasket	1
39	C43.1107.0101	Fuel tank cover	1

### 4 - BACK RACK ASSEMBLY

No.	Part number	Description	Qty
40	F76.0116.0100	Screw expansion button combination	7
41	F76.0116.0002	Protective frame	1
42	F76.0116.0001	Back bracket	1
43	GB/T96.1	Flat washer $\Phi$ 6	2
44	GB/T6177.1	Hexagonal flange nut M6	2
45	01.04.0161	Large washer $\phi$ 5*15*1	2
46	01.01.6223	Hexagon screws M5 $\times$ 12	2
47	B25.0134.0003	Flat washer $\phi$ 5.5*18*1.5	2
48	F76.0101.0013	Hexagon screws M5 $\times$ 20	2
49	F76.0116.0400	Back pad	1
50	F76.0116.0003	Back pad hanging buckle	2