

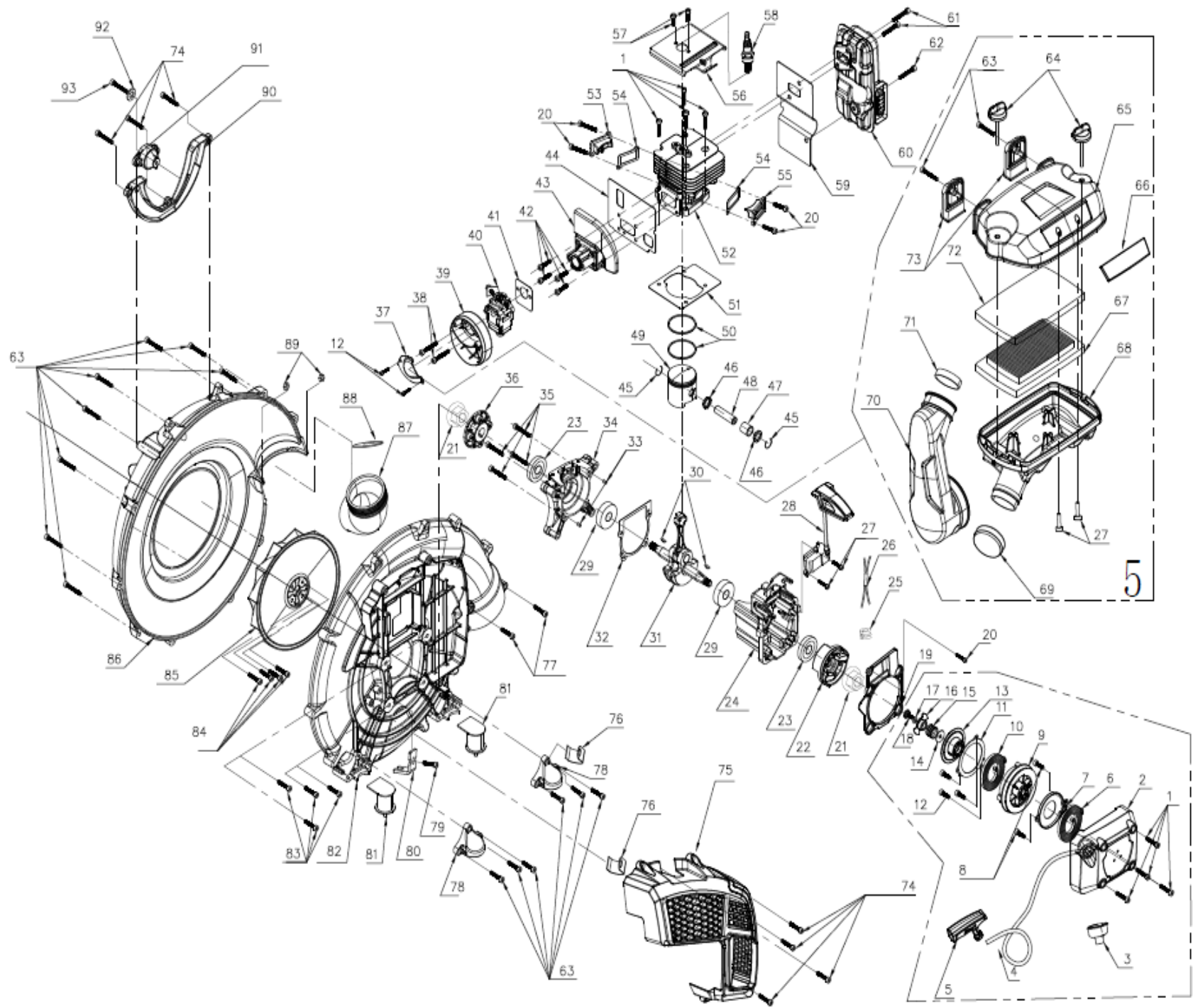
LITTLE BEAVER

Engine parts diagram



The model may differ slightly from the picture

DUETBB376
BACKPACK LEAFBLOWER - 75.6CC



6 - POWERTRAIN

| No. | Part number | Description | Qty |
|-----|---------------|--------------------------------------|-----|
| 1 | A41.0700.0008 | Hexagon screws M5×25 | 7 |
| 2 | F76.0310.0001 | Starter cover | 1 |
| 3 | A25.0110.0101 | Eyelet | 1 |
| 4 | C43.1110.0001 | Stater rope | 1 |
| 5 | A62.0110.0002 | Starter handle | 1 |
| 6 | F76.0110.0012 | Starter coil spring | 1 |
| 7 | F76.0110.0005 | Coil spring cover | 1 |
| 8 | GB/T845 | Self-tapping screw ST3.5×6 | 2 |
| 9 | F76.0110.0003 | Starter pulley | 1 |
| 10 | F76.0110.0011 | Large coil spring | 1 |
| 11 | F76.0110.0009 | Large coil spring pressure plate | 1 |
| 12 | F76.0104.0002 | Hexagon tapping screws ST4.2×9.5 | 5 |
| 13 | F76.0110.0004 | Starter ratchet | 1 |
| 14 | F76.0110.0006 | Flat washer 5.5×20×1 | 1 |
| 15 | F76.0110.0007 | Spring | 1 |
| 16 | F76.0110.0008 | Ratchet gland | 1 |
| 17 | F76.0110.0013 | Ant-wear gasket | 1 |
| 18 | F76.0110.0010 | Starter screw | 1 |
| 19 | F76.0101.0020 | High pressure package spacer | 1 |
| 20 | GB/T2672 | Plum screw M4×12 | 5 |
| 21 | GB/T6177.2 | Hexagonal flange nut M10×1.25 | 2 |
| 22 | F76.0106.0200 | Flywheel assembly | 1 |
| 23 | C43.0101.0300 | Oil seal Φ15×Φ30×7 | 2 |
| 24 | F76.0102.0001 | Front half crankcase | 1 |
| 25 | F76.0106.0104 | High pressure line round rubber plug | 1 |
| 26 | F76.0106.0105 | Short flameout cable set | 1 |
| 27 | GB/T2672 | Plum screws M4×16 | 2 |
| 28 | F76.0106.0102 | Ignition assembly | 1 |

6 - POWERTRAIN

| No. | Part number | Description | Qty |
|-----|---------------|---|-----|
| 29 | GB/T276 | Ball bearing 6302 | 2 |
| 30 | GB/T1099 | Half-round key 3×5×13 | 2 |
| 31 | F76.0103.0100 | Crankshaft connecting rod set | 1 |
| 32 | F76.0102.0003 | Case gasket | 1 |
| 33 | GB/T119 | Cylindrical pin B5×10 | 2 |
| 34 | F76.0102.0002 | Rear half crankcase | 1 |
| 35 | F76.0101.0018 | Hexagon screws M5×35 | 5 |
| 36 | F76.0101.0010 | Connection plate | 1 |
| 37 | F76.0104.0001 | Oil baffle | 1 |
| 38 | F76.0101.0015 | Hexagon screws M5×57 | 2 |
| 39 | F76.0104.0100 | Air filter holder | 1 |
| 40 | F76.0101.0200 | Carburetor | 1 |
| 41 | F76.0101.0008 | Carburetor gasket | 1 |
| 42 | A41.0700.0008 | Hexagon screws M5×30 | 4 |
| 43 | F76.0101.0100 | Air inlet pipe | 1 |
| 44 | F76.0101.0007 | Air inlet pipe gasket | 1 |
| 45 | F76.0103.0004 | Piston pin retainer | 2 |
| 46 | F76.0103.0005 | Needle roller bearing retaining ring | 2 |
| 47 | F76.0103.0006 | Small roller bearing $\Phi 12 \times \Phi 16 \times 15$ | 1 |
| 48 | F76.0103.0003 | Piston pin | 1 |
| 49 | F76.0103.0001 | Piston | 1 |
| 50 | F76.0103.0002 | Piston ring | 2 |
| 51 | F76.0101.0005 | Cylinder gasket | 1 |
| 52 | F76.0101.0019 | Cylinder | 1 |
| 53 | F76.0101.0003 | Cylinder rear side cover | 1 |
| 54 | F76.0101.0004 | Side cover gasket | 2 |
| 55 | F76.0101.0002 | Gas cylinder front side cover | 1 |

| No. | Part number | Description | Qty |
|------------|--------------------|---------------------------------|------------|
| 56 | F76.0101.0006 | Air deflector | 1 |
| 57 | F76.0101.0014 | Hexagon screws M5×10 | 2 |
| 58 | 02.35.93 | Spark plug Bosch, USR7AC | 1 |
| 59 | F76.0101.0009 | Muffler gasket | 1 |
| 60 | F76.0105.0100 | Muffler | 1 |
| 61 | F76.0101.0016 | Hexagon screws M6×25-10.9 grade | 2 |
| 62 | F76.0101.0017 | Hexagon screws M6×20-10.9 grade | 1 |

7 - AIR FILTER ASSEMBLY

| No. | Part number | Description | Qty |
|------------|--------------------|------------------------|------------|
| 63 | 01.01.3201 | ST screw5×25 | 16 |
| 64 | F76.0104.0300 | locking knob | 2 |
| 65 | F76.0104.0006 | air box cover | 1 |
| 66 | F76.0104.0018 | LOGO | 1 |
| 67 | F76.0104.0004 | paper filter element | 1 |
| 68 | F76.0104.0200 | air filter lower cover | 1 |
| 69 | F76.0104.0010 | victaulic φ80--φ100 | 1 |
| 70 | F76.0104.0003 | draft pipe | 1 |
| 71 | F76.0104.0009 | victaulic φ44--φ64 | 1 |
| 72 | F76.0104.0005 | filter sponge | 1 |
| 73 | F76.0104.0007 | air flyer side cover | 2 |

8 - POWERTRAIN

| No. | Part number | Description | Qty |
|------------|--------------------|-----------------------------------|------------|
| 74 | 01.01.3202 | Plum self-tapping screws ST5.0×19 | 7 |
| 75 | F76.0301.0011 | Cylinder housing | 1 |
| 76 | B25.5100.0100 | Throttle cable clip | 2 |
| 77 | F76.0111.0003 | Hexagon screws M5×70 | 2 |
| 78 | F76.0111.0002 | Anti-release cover | 2 |
| 79 | 01.01.4111 | Plum self-tapping screws ST5.0×14 | 1 |
| 80 | F76.0111.0005 | Throttle cable bracket | 1 |
| 81 | F76.0111.0500 | Vibration-damping rubber casting | 2 |

| No. | Part number | Description | Qty |
|------------|--------------------|---------------------------------|------------|
| 82 | F76.0111.0400 | Rear half volute | 1 |
| 83 | F76.0101.0018 | Hexagon screws M6×45 | 4 |
| 84 | F76.0101.0016 | Hexagon screws M6×25-10.9 grade | 4 |
| 85 | F76.0111.0600 | Impeller | 1 |
| 86 | F76.0111.0100 | Front half volute | 1 |
| 87 | F76.0111.0004 | Bend | 1 |
| 88 | GB/T3452.1 | O-ring 100×3.1 | 1 |
| 89 | GB/T56 | Hexagonal thick nuts M5 | 2 |
| 90 | F76.0111.0500 | Worm cover plate | 1 |
| 91 | F76.0111.0200 | Vibration-damping disc casting | 1 |
| 92 | F76.0111.0300 | Rubber gasket | 1 |
| 93 | F76.0102.0004 | Hexagon screws M5×35 | 1 |