

**POWERED BY**

**DUCAR**

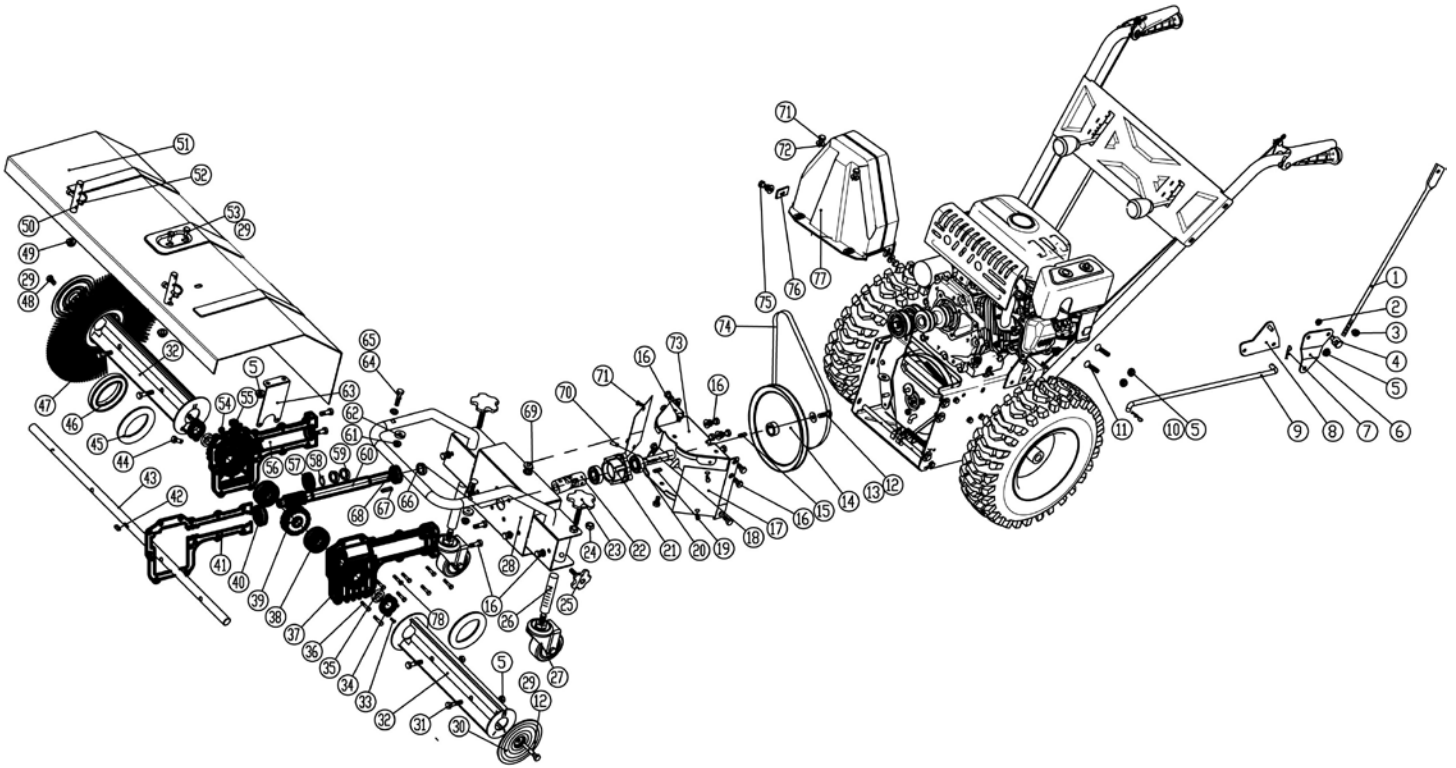
**PROPULSÉ PAR**

**POWER BRUSH - 24in  
DUEPB24**



**PARTS MANUAL**

# POWER BRUSH ASSEMBLY



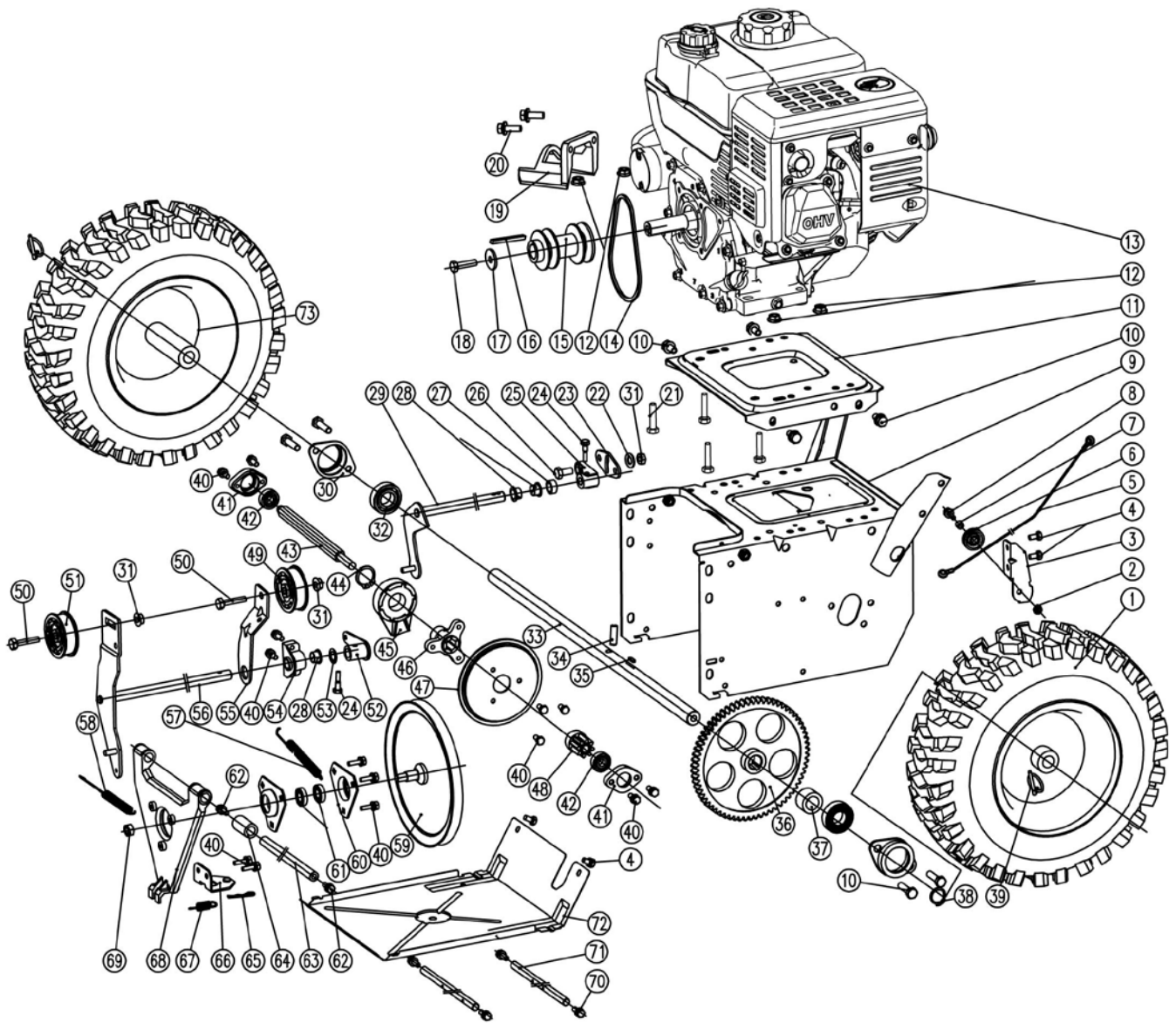
## POWER BRUSH ASSEMBLY

No.	Product code	Description	Quantity
1	DUPKCB31-02	connecting rod	1
2	DUPGB/T 6183.1-2000	hex locking nut M6	1
3	DUPGB/T 41-2000	hex nut M8	1
4	DUPKCB31-03	pin with hole	1
5	DUPGB/T 899.1	hex locking nut M8	11
6	DUPKCB31-04	steering plate	1
7	DUPKC55-29	B pin	3
8	DUPKCB31-05B	fixed steering plate	1
9	DUPKCB31-06	steering level	1
10	DUPS07*00447	washer 8x22x2	4
11	DUPGB/T12-1988	bolt M8x40	4
12	DUPGB/T 5780-2000	hex bolt M8x25 (left rotate)	2
13	DUPGB/T5287-2002	big washer 8	1
14	DUPKC21-01-06	belt pulley	1
15	DUPGB/T1096	A key 6x6x20	1
16	DUPGB/T9074.17	hex bolt M8x20	20
17	DUPKCB31-07	side cover plast	2
18	DUPKCB31-08	minor axis	1
19	DUPGB/T1096	B parallel key 5x5x15	1
20	DUP6203-2RZ	ball bearing	2
21	DUPKCB31-09	bearing housing	1
22	DUPKCB31-10	cardan	1
23	DUPKCB31-39	screw M10	2
24	DUPGB/T 41-2000	hex nut M10	2
25	DUPKCB31-40	screw M8	2
26	DUPKCB31-11B	universal wheel shaft	2
27	DUP5033-86	3" universal wheel shaft	2
28	DUPKCB31-12B	worm housing fixed plate	1
29	DUPGB/T96.2	big washer8	4
30	DUPKCB31-13	limited pad	2
31	DUPGB/T 5780-2000	hex bolt M8x35	4
32	DUPKCB31-14D	brush bracket 600	2
33	DUPGB/T818-2000	screw M5x10	4
34	DUPKCB31-37	oil cover	2
35	DUPGB13871	FW out sealing ring 22x30x7	2
36	DUPGB/T9074.17	hex bolt M6x20	10
37	DUPKCB31-15B	worm housing(right)	1
38	DUPKCB31-36	worm housing bearing	2
39	DUPKCB31-16	worm gear	1
40	DUPGB/T294-1994	bearing 30302	1
41	DUPKCB31-17B	Gasket	1
42	DUPGB/T 1096	A parallel key 6x6x18	1
43	DUPKCB31-18A	tramission shaft	1
44	DUPGB/T5787-1987	hex bolt M10x15	1
45	DUPKCB31-41	washer	2
46	DUPKCB31-19-1	brush pad	22

## POWER BRUSH ASSEMBLY

47	DUPKCB31-19	brush	26
48	DUPGB/T 5780-2000	hex bolt M8x25	1
49	DUPGB/T 889.1	hex nut M10	2
50	DUPKCB31-20	connector	2
51	DUPKCB31-21AA	brush cover	1
52	DUP0819-10	pin 6x40	2
53	DUPGB/T 5780-2000	hex bolt M8x16	2
54	DUPGB/T899.1	hex nut M6	2
55	DUPCU0807	venting plug 8	1
56	DUPKCB31-22B	worm housing (left)	1
57	DUPGB/T301-1995	ball bearing 51104	1
58	DUPGB894.1-86	check ring 20	1
59	DUPGB13871-1	sealing ring $\text{c}20\text{Xc}32\text{X}7$	2
60	DUPKCB31-24A	worm shaft	1
61	DUPGB/T 6183.1-2000	hex locking nut M8	2
62	DUPKC55-04	plastic nut seat	2
63	DUPKCB31-23B	strut plate with brush cover	1
64	DUPGB/T 5780-2000	hex bolt M8x50	2
65	DUPS07*00447	washer 8x22x2	2
66	DUPGB13871-2	sealing ring $\text{c}17\text{Xc}30\text{X}7$	1
67	DUPGB/T 1096-1	parallel key 5x5x30	1
68	DUP6003-2RZ	ball bearing 6003-2RZ	1
69	DUPKC55-02-20	small belt tension washer	2
70	DUPGB/T879-2000	spring pin 6x22	1
71	DUPGB/T6563	hex locking screw M6X12	6
72	DUPGB/T95-2002	washer 6	2
73	DUPKCB31-26	bearing fixed plate	1
74	DUPV10X705	belt	1
75	DUPGB/T 9074.17	hex bolt M6x16	2
76	DUPKC21-17C	washer for belt cover	2
77	DUPKCB31-34	belt cover	1
78	DUPGB/T 5780-2000	hex bolt M6x25	2

# TRANSMISSION



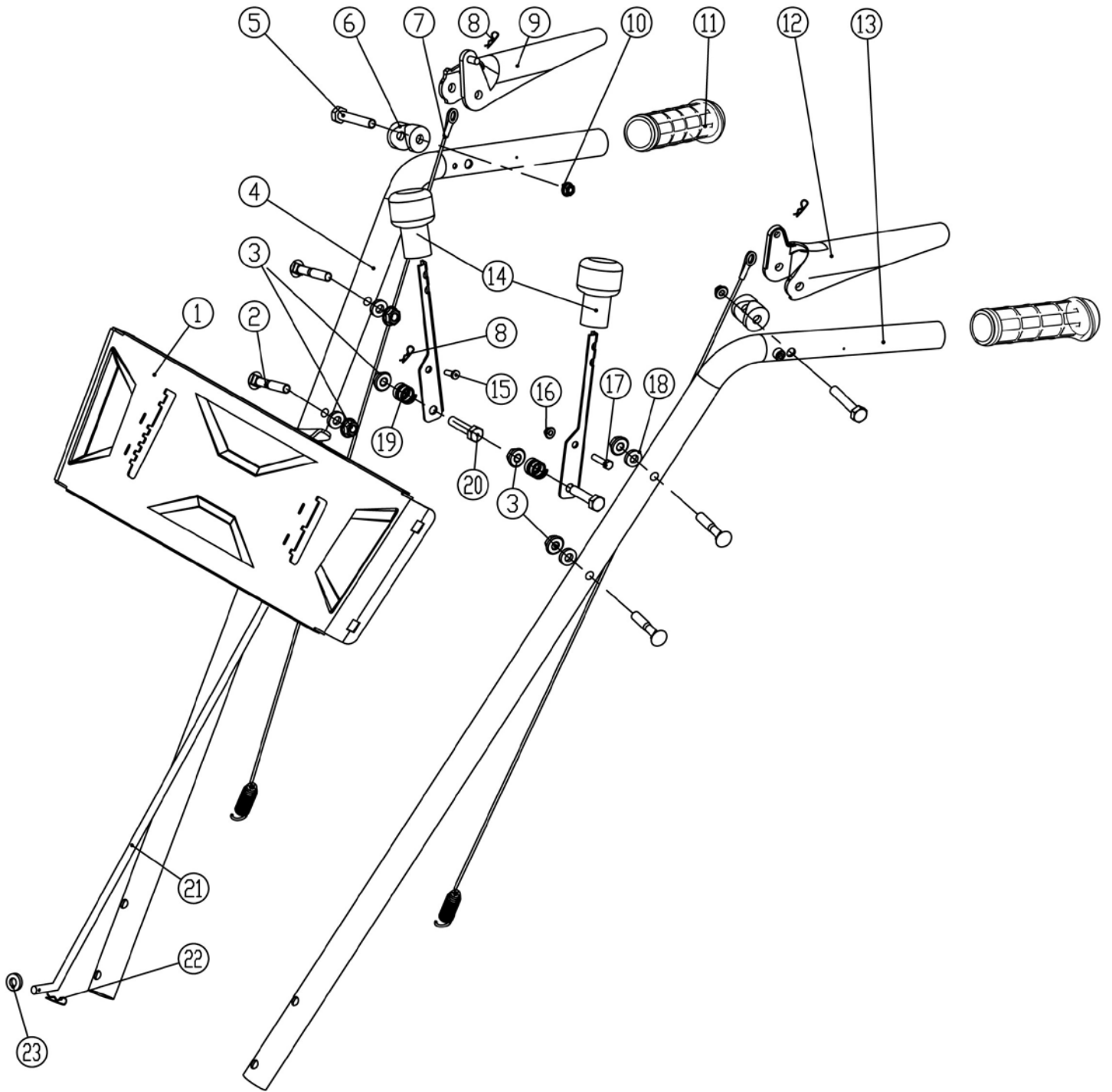
## TRANSMISSION

No.	Product code	Description	Quantity
1	DUP(13) 4.10-6	13 inch tire	2
2	DUPGB/T899.1-2000	nut M6	1
3	DUPKCM24-02C-19	pulley seat	1
4	DUPGB/T9074.13-1988	bolt M6x12	4
5	DUPKC21-02C-01	short cable	1
6	DUPKC40-28	pulley	1
7	DUPKC21-02-2	bushing	1
8	DUPGB/T5780-2000	bolt M6x20	1
9	DUPKC21-02C-02A	transmission box	1
10	DUPGB/T 6563-1986	screw M8x16	8
11	DUPKC21-02C-03	engine seat	1
12	DUPDIN6927	nut M8	4
13	DUPKCB24-F-ENGINE	Ducar engine	1
14	DUP3LXP825	belt 3LXP825	1
15	DUPKC21-02C-04A	drive pulley	1
16	DUP4.7*4.7*50	flat key 4.7*4.7*50	1
17	DUPGB/T5287-2002	washer 8	1
18	DUPGB/T5786-2000	bolt M8x1x30	1
19	DUPKCD24-11	belt rod	1
20	DUPGB/T9074.17	bolt M8x25	2
21	DUPGB/T5780-2000	bolt M8x40	4
22	DUPGB/T95-2002	washer 8	1
23	DUPKC21-02-05	gear plate	1
24	DUPGB/T9074.17-2000	bolt M6x20	2
25	DUPKC21-02C-20	gear connector	1
26	DUPGB/T5780-2000	bolt M8x20	3
27	DUPKC21-02-34	bushing	1
28	DUPKC90-02-07	plastic sleeve	3
29	DUPKC55-02-05	shift fork	1
30	DUPKC90-02-11	bearing seat	2
31	DUPGB/T899.1-200	nut M8	3
32	DUPGB/T276-1997	bearing 6304	2
33	DUPKC21-02C-06B	drive shaft	1
34	DUPGB/T879.2-2000	pin 6x30	1
35	DUPGB/T1905-2003	flat ket 6*6*22	1
36	DUPKC21-02C-07	big gear	1
37	DUPKC21-02C-08	sleeve	1
38	DUPGB894.2-86	circlip 20	1
39	DUPKCW-03	D pin 6x40	2
40	DUPGB/T9074.13-1988	bolt M6x16	14
41	DUPKC21-02-33	inner bearing seat	2
42	DUPGB/T276-1994	bearing 6000-ZN	2
43	DUPKC21-02-24	Hexagonal shaft	1
44	DUPGB/T894.1-1986	circlip 25	1
45	DUPKC21-02-13	shift bearing	1

## TRANSMISSION

No.	Product code	Description	Quantity
46	DUPKC21-02-12B	rubber ring seat	1
47	DUPKC21-02-11A	Friction disc	1
48	DUPKC21-02-25	gear	1
49	DUPKC55-02-21A	small tension pulley	1
50	DUPGB/T5780-2000	bolt M8x30	2
51	DUPKC55-02-21	small tension pulley	1
52	DUPKC30A-02-31	tension connector	1
53	DUPGB/T955-1987	washer 12	1
54	DUPKC21-02C-09	fixing plate	1
55	DUPKC30A-02A-4	small tension plate	1
56	DUPKC21-02C-11	big tension plate	1
57	DUPKC90-02-15	spring	1
58	DUPKC21-02C-12	brake spring	1
59	DUPKC21-02C-13	belt pulley	1
60	DUPKC90-02-12	triangle bearing seat	2
61	DUPGB/T276-1997	bearing 6002	2
62	DUPGB/T9074.13-1988	bolt M8x16	2
63	DUPKC90-02-31	support rod	1
64	DUPKC55-02-10	bushing	2
65	DUPS03*00493	B pin 1.5*25	1
66	DUPKC21-02C-14	connecting plate	1
67	DUPKC21-02C-17	reset spring	1
68	DUPKC21-02C-15	friction disc support	1
69	DUPGB/T899.1-2000	nut M12	1
70	DUPGB/T 6563-1986	bolt M6x16	4
71	DUPKC30A-02-30	support rod	2
72	DUPKC21-02C-16A	bottom plate	1
73	DUPKC21-02-27	rim	2

# HANDLE PARTS





## HANDLE PARTS

No.	Product code	Description	Quantity
1	DUPKCB31-01	panel	1
2	DUPGB/T12-1988	bolt M8x35	4
3	DUPGB/T889.1-2000	hex locking nut M8	6
4	DUPKC21-03-02R	right handle	1
5	DUPKC21-03C-2	handle screw	2
6	DUPKC21-03C-08	handle pad	2
7	DUPKC21-03C-01	long wire	2
8	DUPS03*00493	B pin	3
9	DUPKC21-03C-04	right control handle	1
10	DUPGB/T 6183.1-2000	hex locking nut M6	2
11	DUPKC21-03C-05	handle	2
12	DUPKC21-03C-06	left control handle	1
13	DUPKC21-03-02L	left handle	1
14	DUPKCM24-04(M4)-2	control handle	2
15	DUPKC55-03-06	wire pin	1
16	DUPGB/T 889.1-2000	hex locking nut M6	1
17	DUPGB/T 5780-2000	hex bolt M6x16	1
18	DUPS07*00447	washer 8x22x2	4
19	DUPKC55-03-04	spring	2
20	DUPGB/T 5780-2000	hex bolt M8x35	2
21	DUPKCB31-33A	starting connecting rod	1
22	DUPKC55-29	spring clamp	1
23	DUPGB/T95-2002	washer 8	1