

POWERED BY

DUCAR

PROPULSÉ PAR

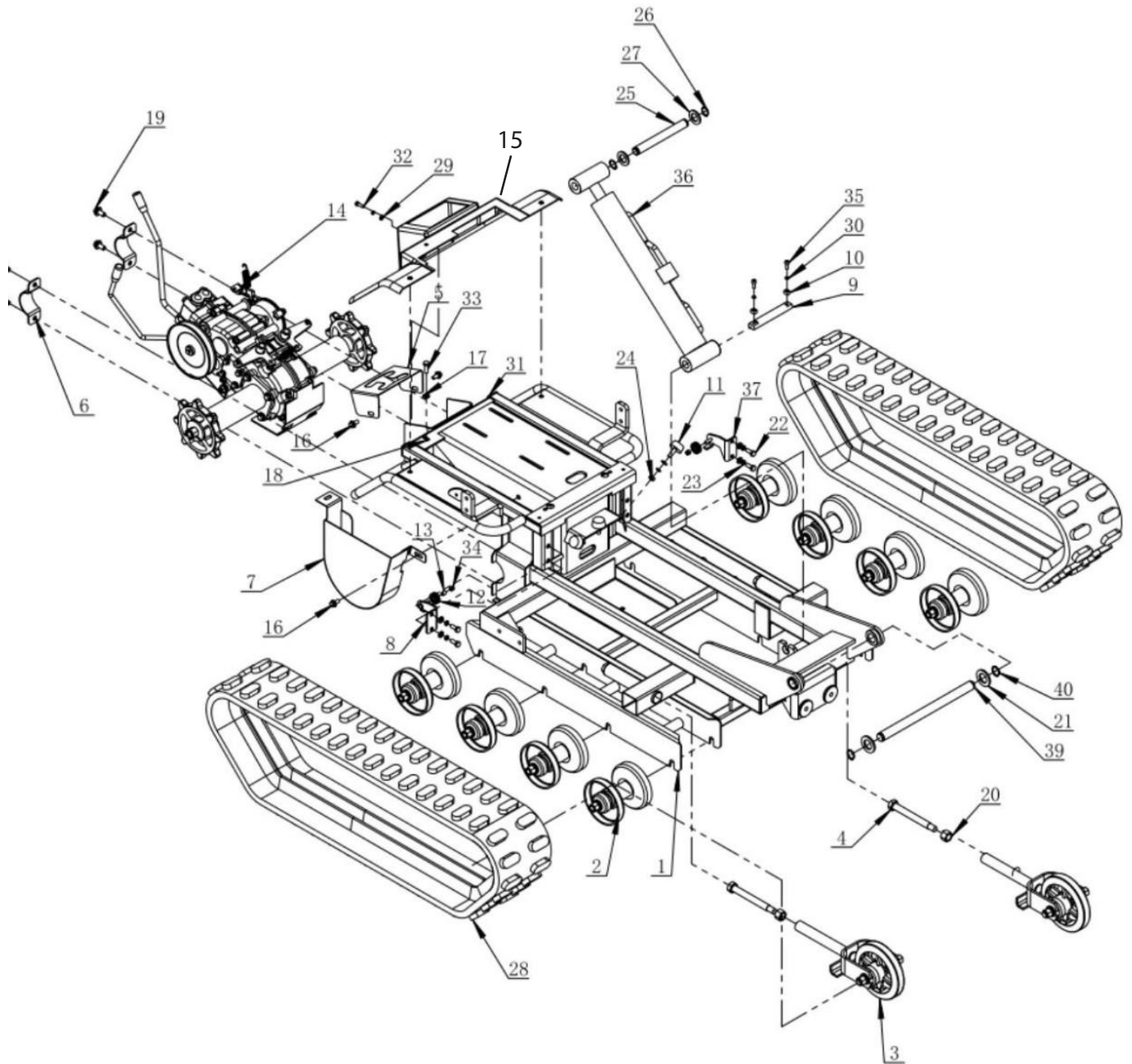
MOTORIZED TRACKED WHEELBARROW DUEWB1100-TR



PARTS MANUAL

MTI
CANADA

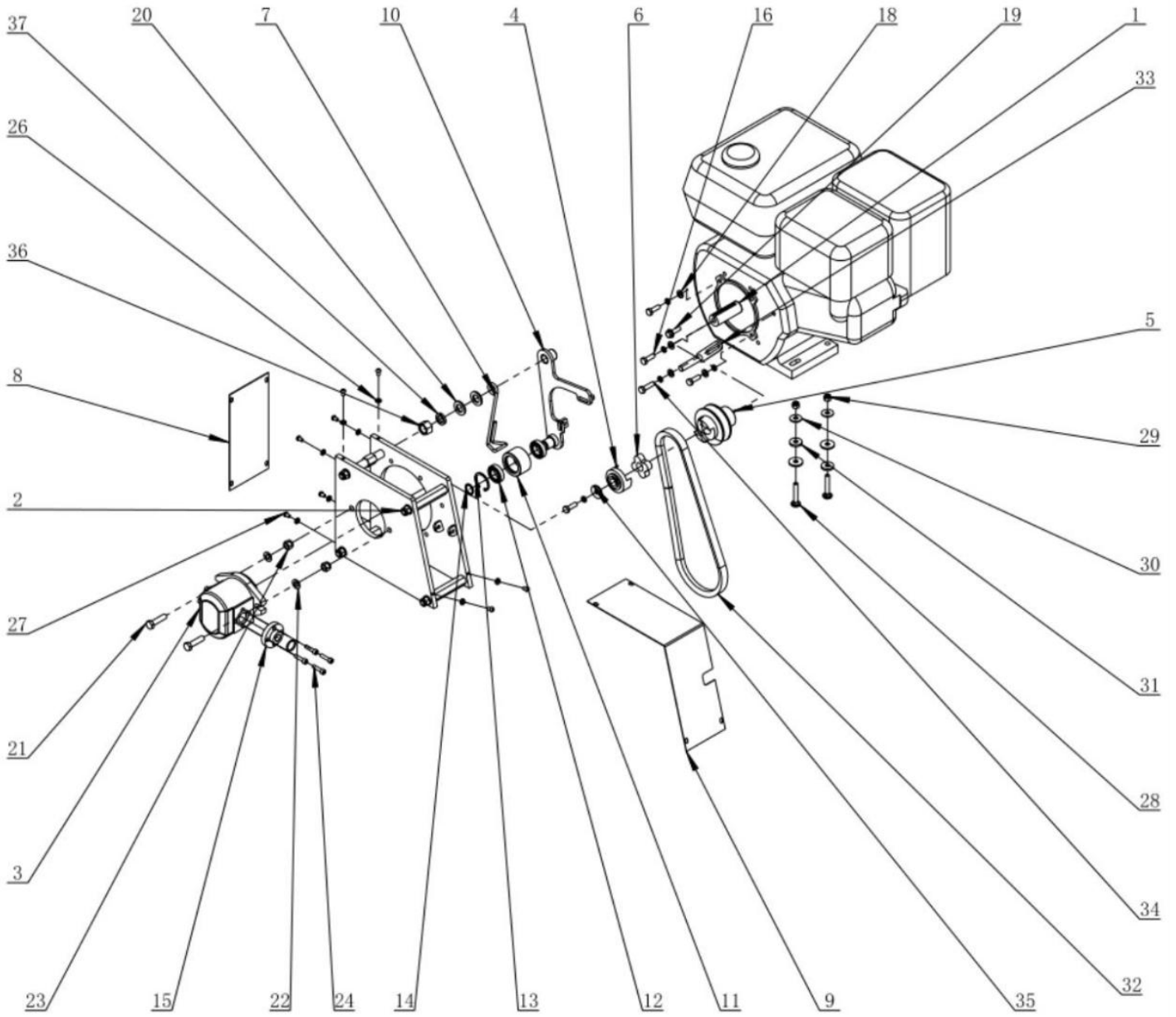
WB1100TR DUMP TRUCK CHASSIS ASSEMBLY



WB1100TR DUMP TRUCK CHASSIS ASSEMBLY

| No. | Product code | Description | Quantity |
|-----|----------------------|--|----------|
| 1 | DUP0302C.30.010 | Welded chassis | 1 |
| 2 | DUP0302C.30.003 | Small support heavy wheel assembly | 8 |
| 3 | DUP0302C.30.002 | Guide group assembly | 2 |
| 4 | DUP0302C.30.401 | Adjusting lever | 2 |
| 5 | DUP0302C.30.305 | Guard plate | 1 |
| 6 | DUP0302C.30.304 | Output sleeve platen | 2 |
| 7 | DUP0302B.30.030 | Belt shield welding | 1 |
| 8 | DUP0302B.30.050 | Wire wheel frame welding (right) | 1 |
| 9 | DUP0301C.27.109 | Cylinder rotating shaft | 1 |
| 10 | DUP0301C.27.110 | stopper | 2 |
| 11 | DUP03014.30.021-1 | Rubber inlay | 3 |
| 12 | DUP0302C.30.172 | Cable pulley | 2 |
| 13 | DUP0302C.30.173 | Cable wheel sleeve | 2 |
| 14 | DUP0302B.37.000 | Drive assembly | 1 |
| 15 | DUP0302B.30.201 | Gear guard | 1 |
| 16 | DUPGB/T 5789-1986-1 | Hexagon head flange bolts (large series) Class B | 3 |
| 17 | DUPGB/T 95-2002-2 | Flat washer Class C | 9 |
| 18 | DUPGB/T 889.1-2000-1 | Type 1 non-metal insert hexagon lock nut | 1 |
| 19 | DUPGB/T 5789-1986-2 | Hexagon head flange bolts (large series) Class B | 4 |
| 20 | DUPGB/T 41-2000-2 | Type 1 hexagon nut Class C | 2 |
| 21 | DUPGB/T 95-2002-3 | Flat washer Class C | 2 |
| 22 | DUPGB/T 5781-2000-1 | Hexagon head bolt full thread class C | 4 |
| 23 | DUPGB/T 93-1987-1 | Standard elastic washer | 7 |
| 24 | DUPGB/T 6170-2000-1 | Type 1 hexagon nuts Class A and Class B | 3 |
| 25 | DUP0301C.27.108 | Cylinder pin | 1 |
| 26 | DUPGB 894.1-86-1 | Elastic retainer for shaft type A | 2 |
| 27 | DUPGB/T95-2002-4 | Flat washer Class C | 2 |
| 28 | DUPGB/T95-2001 | Track -38 | 2 |
| 29 | DUPGB/T 95-2002-5 | Flat washer Class C | 3 |
| 30 | DUPGB/T 93-1987-2 | Standard elastic washer | 5 |
| 31 | DUPGB/T 5783-2000-1 | Hexagon head bolt with full thread | 2 |
| 32 | DUPGB/T 5783-2000-2 | Hexagon head bolt with full thread | 1 |
| 33 | DUPGB/T 5783-2000-3 | Hexagon head bolt with full thread | 1 |
| 34 | DUPGB/T 889.1-2000-2 | Type 1 non-metal insert hexagon lock nut | 2 |
| 35 | DUPGB/T 70.1-2000-1 | Hex socket screw with cylindrical head | 2 |
| 36 | DUP50-25X320-480 | Welding cylinder | 1 |
| 37 | DUP0302B.30.060 | Wire pulley welding (left) | 1 |
| 38 | DUP0302C.30.175 | Cable wheel holder (left) | 1 |
| 39 | DUP0301B.00.107 | Bucket rotating shaft | 1 |
| 40 | DUPGB 894.1-86-2 | Elastic retainer for shaft type A | 2 |

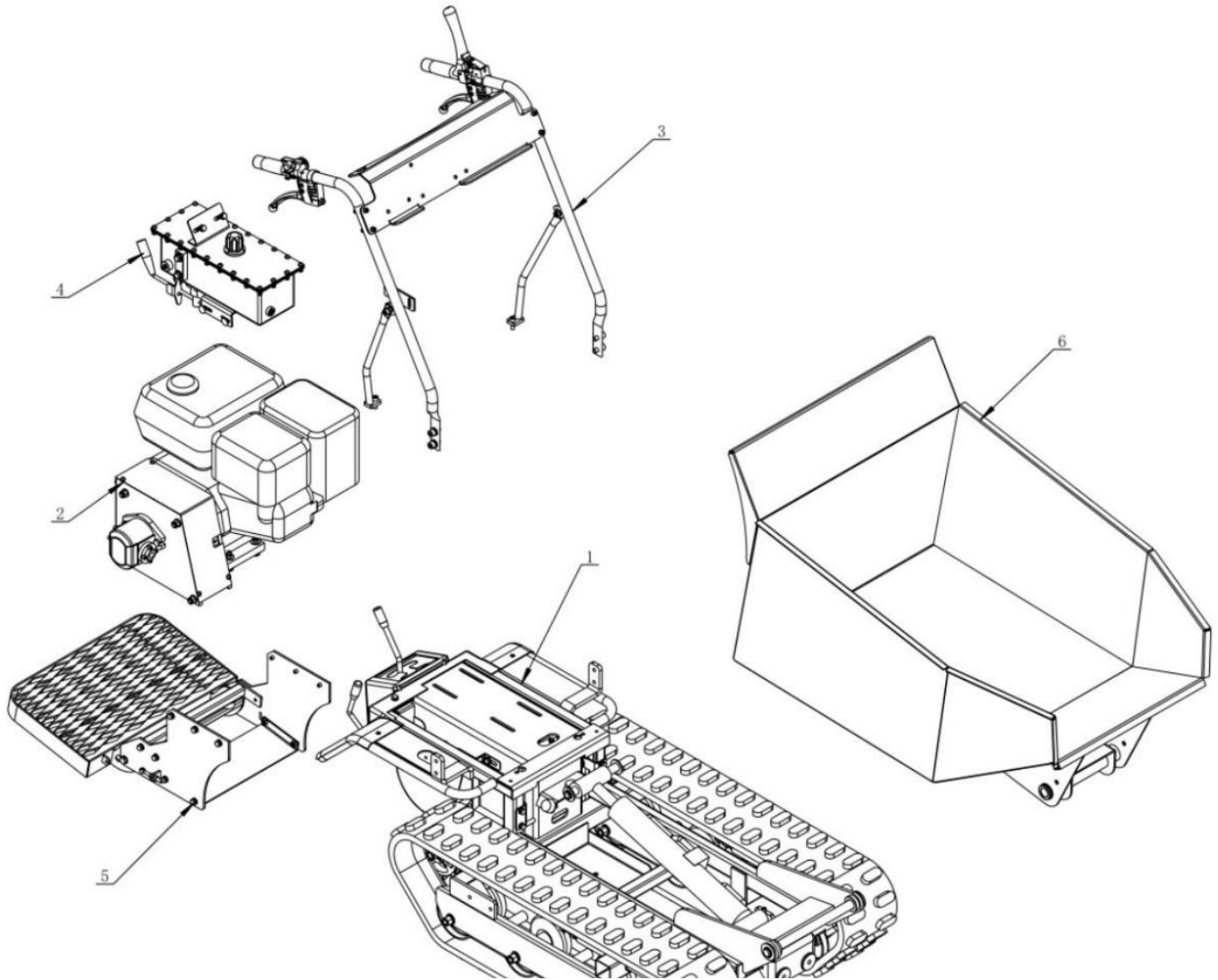
POWER CLUCH ASSEMBLY



POWER CLUCH ASSEMBLY

| No. | Product code | Description | Quantity |
|-----|----------------------|--|----------|
| 1 | DUPLONGXIN-9HP | 9HP engine | 1 |
| 2 | DUP0635B.10.003 | Oil pump support frame assembly | 1 |
| 3 | DUPCBM-E304-FER | Gear pump | 1 |
| 4 | DUP0301C.50.125 | coupling | 1 |
| 5 | DUP0301C.50.101 | Tighten the pulley | 1 |
| 6 | DUP0301C.50.116 | Coupling cushion | 1 |
| 7 | DUP0301C.50.118 | Belt spring | 1 |
| 8 | DUP0302C.40.108 | Shield plate | 1 |
| 9 | DUP0302C.40.107 | guard | 1 |
| 10 | DUP0301C.50.010 | Tensioning plate welding | 1 |
| 11 | DUP0301C.50.102 | Tensioner pulley | 1 |
| 12 | DUPGB/T 276-94-2 | Deep groove ball bearing | 2 |
| 13 | DUPGB 893.1-86-2 | Elastic retainer for hole type A | 1 |
| 14 | DUPGB 894.1-86-1 | Elastic retainer for shaft type A | 1 |
| 15 | DUP0301C.10.109 | Connecting disc | 2 |
| 16 | DUPGB/T 5783-2000-3 | Hexagon head bolt with full thread | 4 |
| 17 | DUPGB/T 93-1987-1 | Standard elastic washer | 5 |
| 18 | DUPGB/T95-2002-2 | Flat washer Class C | 4 |
| 19 | DUPGB/T 5789-1986-3 | Hexagon head flange bolts (large series) Class B | 1 |
| 20 | DUPGB/T 95-2002-7 | Flat washer Class C | 2 |
| 21 | DUPGB/T 5783-2000-5 | Hexagon head bolt with full thread | 2 |
| 22 | DUPGB/T 95-2002-6 | Flat washer Class C | 2 |
| 23 | DUPGB/T 889.1-2000-3 | Type 1 non-metal insert hexagon lock nut | 2 |
| 24 | DUPGB/T 70.1-2000-5 | Hex socket screw with cylindrical head | 8 |
| 25 | DUP0635B.10.004 | O ring 20-2.5 | 2 |
| 26 | DUPGB/T95-2002-5 | Flat washer Class C | 8 |
| 27 | DUPGB/T 70.2-2000 | Hex socket flat round head screw | 8 |
| 28 | DUPGB/T 794-93 | Reinforced half round head square neck bolt | 4 |
| 29 | DUPGB/T 889.1-2000-1 | Type 1 non-metal insert hexagon lock nut | 4 |
| 30 | DUPGB/T 96.2-2002 | Large gasket Class C | 4 |
| 31 | DUP0301A.00.135 | Engine shock pad | 4 |
| 32 | B35 | Triangular belt | 1 |
| 33 | DUP0301A.30.002 | Clamp plate welding | 1 |
| 34 | DUPGB/T 5783-2000-6 | Hexagon head bolt with full thread | 1 |
| 35 | DUPGB/T 5287-2002 | Extra-large gasket Class C | 5 |
| 36 | DUPGB/T 6170-2000-2 | Type 1 hexagon nuts Class A and Class B | 1 |
| 37 | DUPGB/T 93-1987-4 | Standard elastic washer | 1 |

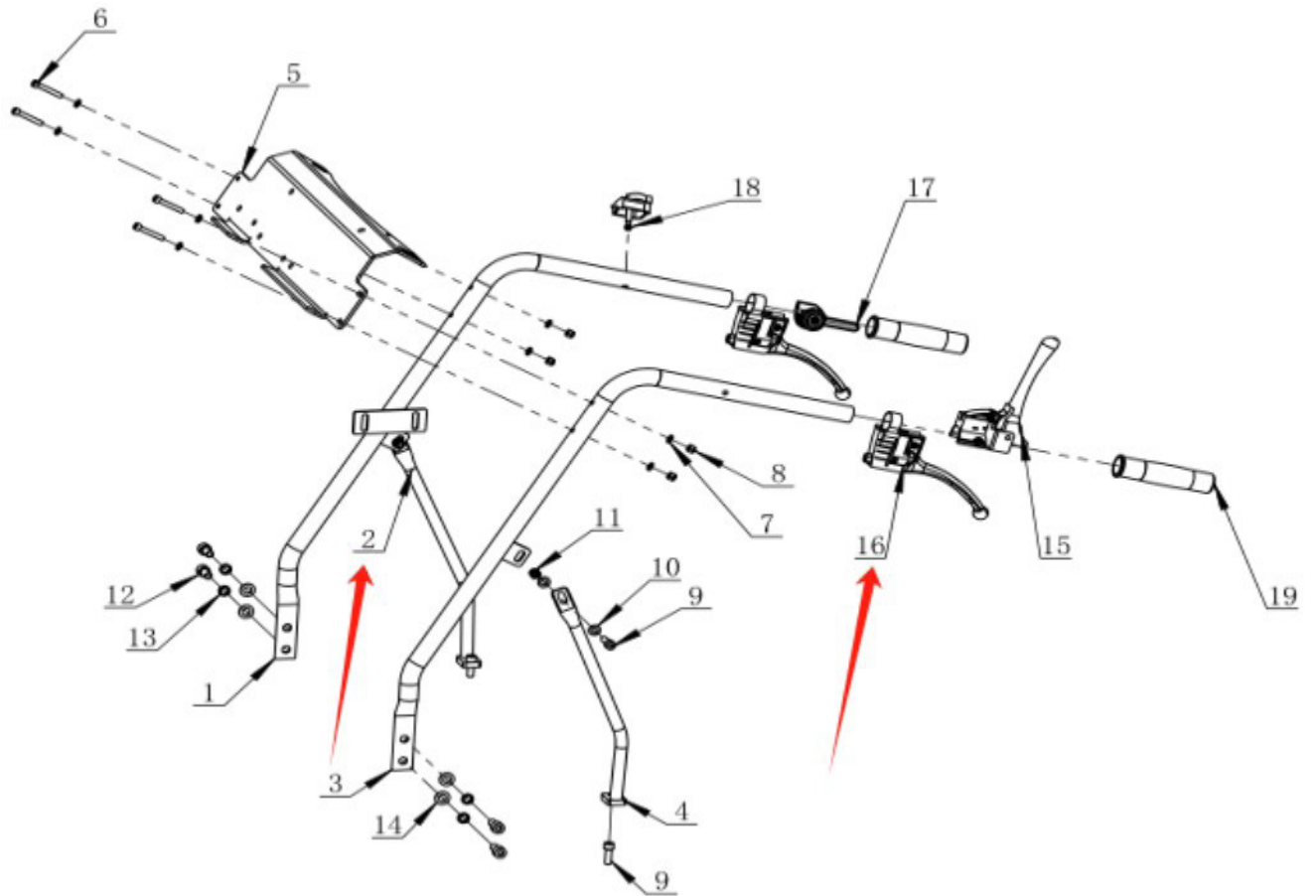
WB1100TR TRACK WHEEL BARROW



WB1100TR TRACK WHEEL BARROW

| No. | Product code | Description | Quantity |
|-----|------------------|-----------------------|----------|
| 1 | DUP0302C.30.000 | Dump car assembly | 1 |
| 2 | DUP0301C.50.001 | Power clutch assembly | 1 |
| 3 | DUP 0302C.00.000 | Handle rack assembly | 1 |
| 4 | DUP0301C.40.001 | Fuel tank assembly | 1 |
| 5 | DUP0302C.80.001 | Platform assembly | 1 |
| 6 | DUP0301C.20.003 | Bucket assembly | 1 |

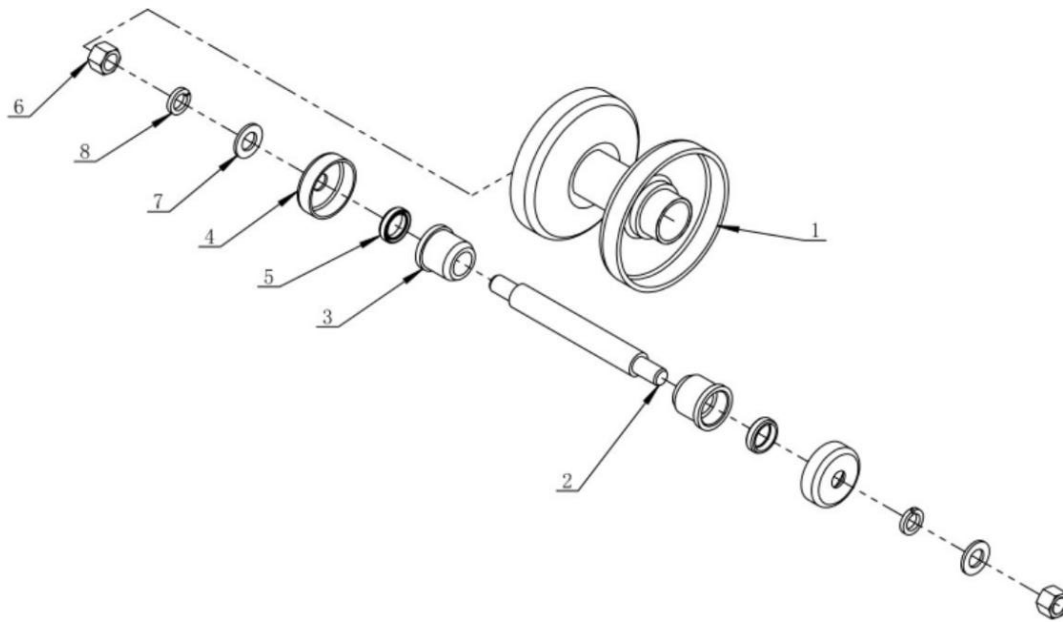
WB1100TR HANDLE RACK ASSEMBLY



WB1100TR HANDLE RACK ASSEMBLY

| No. | Product code | Description | Quantity |
|-----|----------------------|--|----------|
| 1 | DUP0302C.10.010 | Right armrest welded | 1 |
| 2 | DUP0302B.10.030 | Right diagonal stay weld | 1 |
| 3 | DUP0302B.10.020 | Left armrest welded | 1 |
| 4 | DUP0302B.10.040 | Left brace weld | 1 |
| 5 | DUP0302B.10.101 | Horizontal bending plate | 1 |
| 6 | DUPGB/T 70.1-2000-2 | Hex socket screw with cylindrical head | 5 |
| 7 | DUPGB/T95-2002-5 | Flat washer Class C | 8 |
| 8 | DUPGB/T 889.1-2000-2 | Type 1 non-metal insert hexagon lock nut | 5 |
| 9 | DUPGB/T 70.1-2000-3 | Hex socket screw with cylindrical head | 4 |
| 10 | DUPGB/T 95-2002-2 | Flat washer Class C | 4 |
| 11 | DUPGB/T 889.1-2000-1 | Type 1 non-metal hexagon lock nut | 2 |
| 12 | DUPGB/T 70.1-2000-4 | Hex socket screw with cylindrical head | 4 |
| 13 | DUPGB/T93-1987-3 | Standard elastic washer | 4 |
| 14 | DUPGB/T95-2002-6 | Flat washer Class C | 4 |
| 15 | DUP0635B.10.001 | Clutch handle assembly | 1 |
| 16 | DUP0635B.10.002 | Underhand assembly | 2 |
| 17 | DUP0610.10.130 | Throttle assembly | 1 |
| 18 | DUP0610.10.141 | Flameout switch | 1 |
| 19 | DUP0610.10.103 | Handle set 25 | 2 |

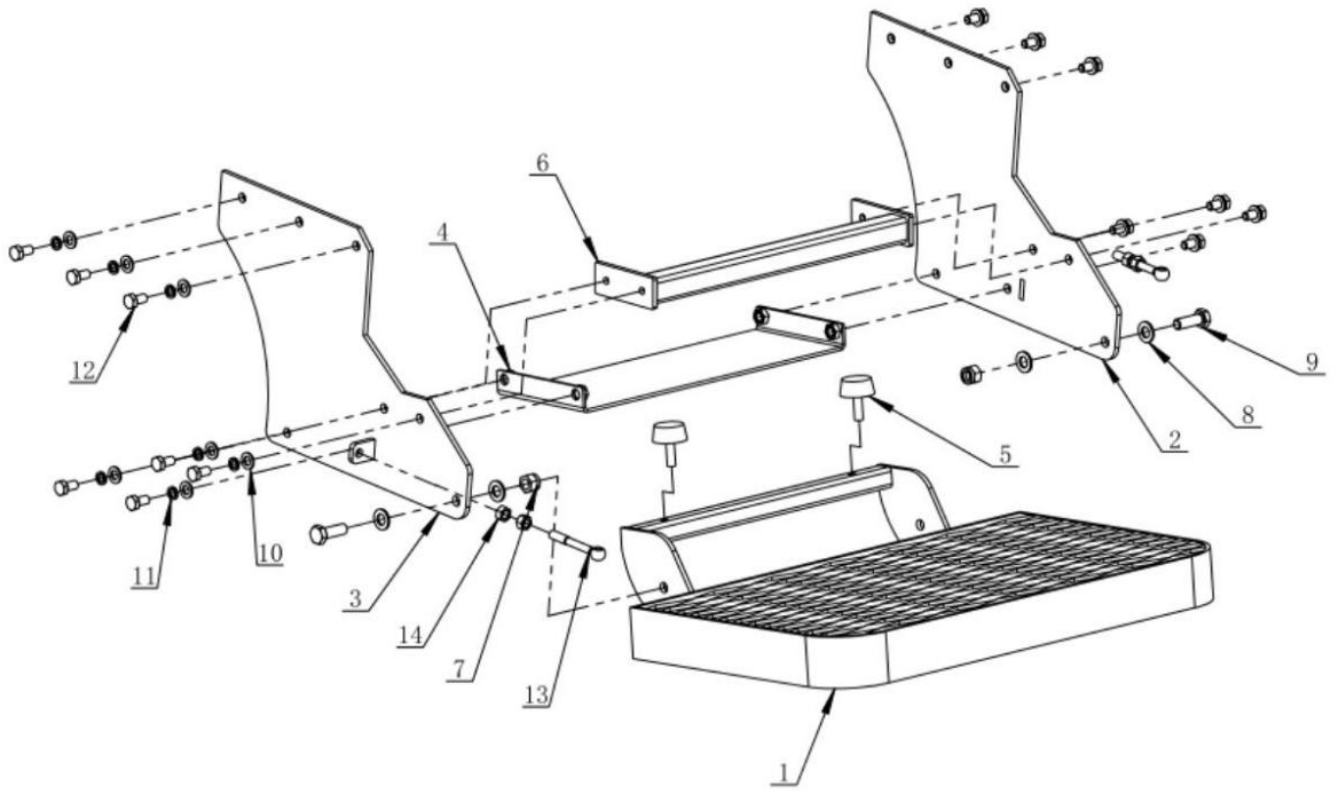
WB1100TR SMALL WEIGHT WHEEL ASSEMBLY



WB1100TR SMALL WEIGHT WHEEL ASSEMBLY

| No. | Product code | Description | Quantity |
|-----|-----------------------|--------------------------------------|----------|
| 1 | DUP0302C.30.060 | Small support welded heavy wheel | 1 |
| 2 | DUP0302C.30.411 | Support axle | 1 |
| 3 | DUP0302B.30.412 | Support wheel wear sleeve | 2 |
| 4 | DUP0302C.30.408 | Dust cover of the support wheel | 2 |
| 5 | DUPGB/T13871.1-2007-1 | Lip seal B type | 2 |
| 6 | DUPGBT 41-2000-1 | Type 1 hexagon nut Class C | 2 |
| 7 | DUPGB/T 95-2002-1 | Flat washer Class C | 2 |
| 8 | DUPGB/T 93-1987 | Standard elastic washer (Assembly 2) | 2 |

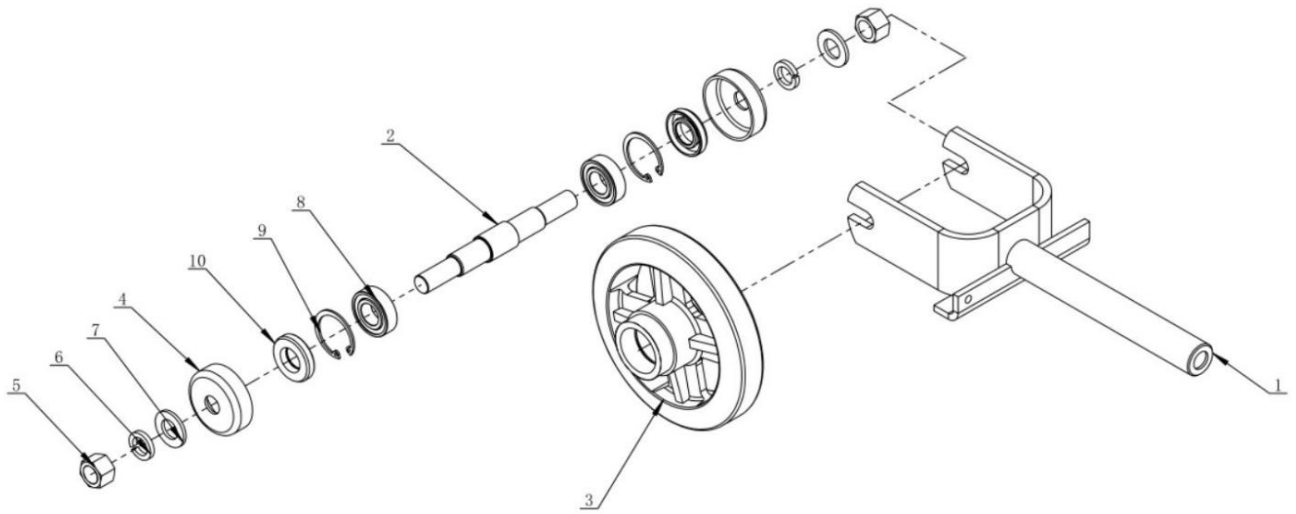
WB1100TR PLATFORM ASSEMBLY



WB1100TR PLATFORM ASSEMBLY

| No. | Product code | Description | Quantity |
|-----|-----------------------|---|----------|
| 1 | DUP0302C.80.010 | Welded platform | 1 |
| 2 | DUP0302C.80.020 | Platform right mounting plate welded | 1 |
| 3 | DUP0302C.80.020L | Platform left mounting plate welded | 1 |
| 4 | DUP0302C.80.040 | Lower impact plate welding | 1 |
| 5 | DUP0301A.30.021-2 | Rubber inlay | 2 |
| 6 | DUP0302C.80.030 | Platform cross strut welding | 1 |
| 7 | DUPGB./T 889.1-2000-3 | Type 1 non-metal insert hexagon retaining nut | 2 |
| 8 | DUPGB/T 95-2002-6 | Flat washer Class C | 4 |
| 9 | DUPGB/T 5781-2000-2 | Hexagon head bolt full thread class C | 2 |
| 10 | DUPGB/T 95-2002-2 | Flat washer Class C | 14 |
| 11 | DUPGB/T 93-1987-1 | Standard elastic washer (Assembly 2) | 14 |
| 12 | DUPGB/T 5783-2000-4 | Hexagon head bolt with full thread | 14 |
| 13 | DUPGB/T 798-1988 | Knuckle bolt | 2 |
| 14 | DUPGB/T 6170-2000-1 | Type 1 hexagon nuts Class A and Class B | 4 |

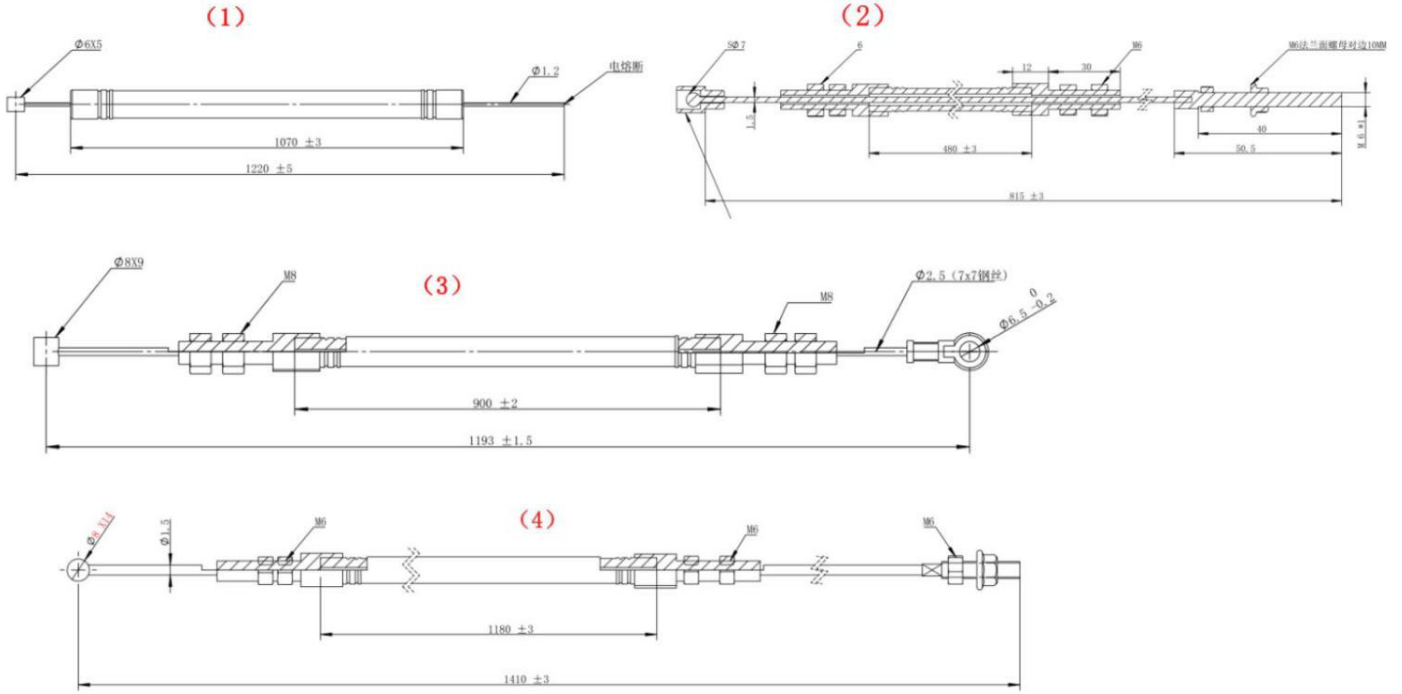
WB1100TR GUIDE GROUP ASSEMBLY



WB1100TR GUIDE GROUP ASSEMBLY

| No. | Product code | Description | Quantity |
|-----|------------------------|----------------------------------|----------|
| 1 | DUP0302C.30.050 | Guide frame welding | 1 |
| 2 | DUP0302C.30.407 | Guide wheel shaft | 1 |
| 3 | DUP0302C.30.406 | Guide wheel | 1 |
| 4 | DUP0302C.30.405 | Guide wheel dust cover | 2 |
| 5 | DUPGB/T 41-2000-1 | Type 1 hexagon nut Class C | 2 |
| 6 | DUPGB/T 93-1987 | Standard elastic washer | 2 |
| 7 | DUPGB/T 95-2002-1 | Flat washer Class C | 2 |
| 8 | DUPGB/T 276-94-1 | Deep groove ball bearing | 2 |
| 9 | DUPGB 893.1-86-1 | Elastic retainer for hole type A | 2 |
| 10 | DUPGB/T 13871.1-2007-2 | Lip seal B type | 2 |

WB1100TR STAY WIRE



WB1100TR STAY WIRE

| No. | Product code | Description | Quantity |
|-----|-----------------|------------------|----------|
| 1 | DUP0301A.00.126 | Throttle cable | 1 |
| 2 | DUP0301C.00.202 | Brake cable | 1 |
| 3 | DUP0302A.00.103 | Reversing cable | 2 |
| 4 | DUP0301A.00.101 | Tightening cable | 1 |