

# LITTLE BEAVER

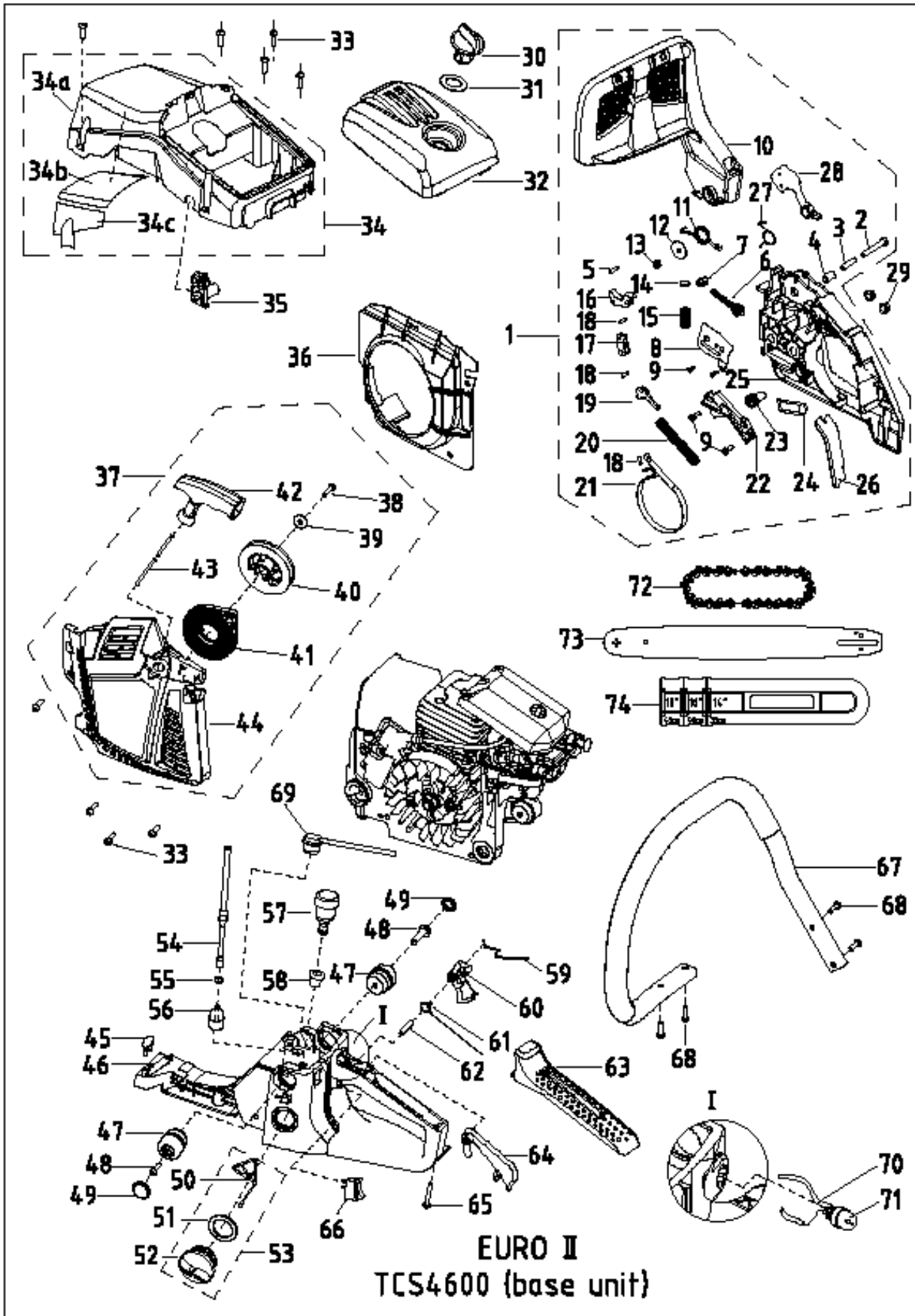
## Parts diagram



The model may differ slightly from the picture

**DUETCS4600-16**  
Little Beaver Chainsaw - 45cc  
16" bar

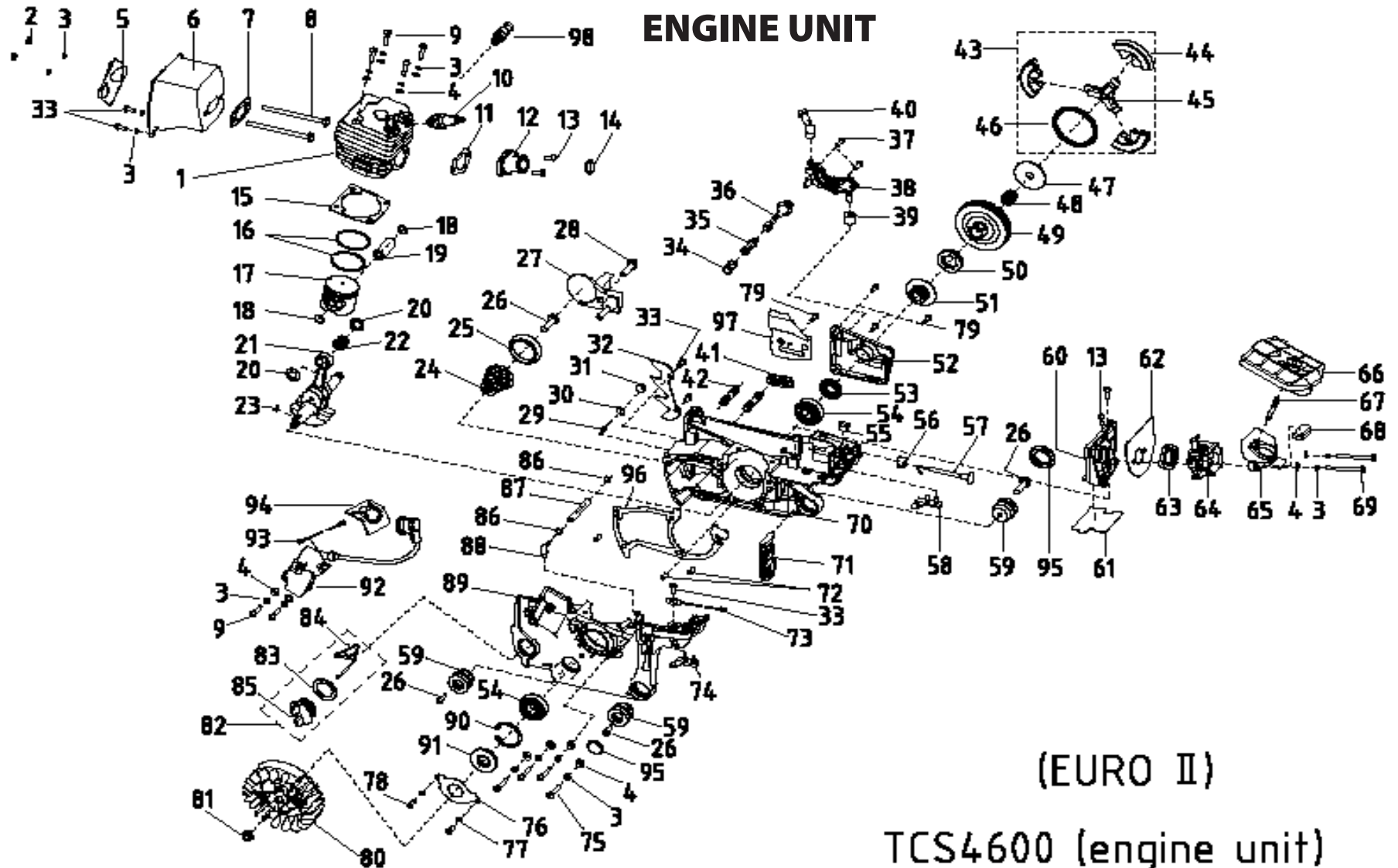
# BASE UNIT



<b>Number</b>	<b>Part number</b>	<b>Part name</b>	<b>Quantity</b>
<b>1</b>	A45.1112.0000	Right cover assembly	1
<b>2</b>	A38.0312.0015	Screw M5×40	1
<b>3</b>	A38.0312.0012	Baffle casing	1
<b>4</b>	A38.0312.0011	Bushing	1
<b>5</b>	GB/T119.2	Pin 3×14	1
<b>6</b>	A45.0112.0018	Tensioning screw	1
<b>7</b>	A45.0112.0019	Tension block	1
<b>8</b>	A45.0112.0011	Tensioner cover plate	1
<b>9</b>	GB/T845-20051790	Self-tapping screw ST4.2×9.5	4
<b>10</b>	TCS4600.04.00-2	Front baffle	1
<b>11</b>	A38.0312.0008	Brake torsion rod spring	1
<b>12</b>	A38.0312.0013	Washer 5.2×20×1.2	1
<b>13</b>	GB/T6183.1	Nut M5	1
<b>14</b>	YD38-3.04.00-6	Spring base	1
<b>15</b>	YD38-3.04.00-5	Front fender compression spring	1
<b>16</b>	A38.0312.0004	Main lever	1
<b>17</b>	A38.0312.0003	Secondary pull-rod	1
<b>18</b>	GB/T119.2	Pin 3×9	3
<b>19</b>	A45.0112.0014	Brake control lever	1
<b>20</b>	A45.0112.0009	Brake spring	1
<b>21</b>	YD45-4.04.00-12	Brake belt	1
<b>22</b>	A45.0412.0003	Brake spring cover plate	1
<b>23</b>	A45.0112.0023	Tension gear	1
<b>24</b>	A45.0101.0019	Chain guide block	1
<b>25</b>	A45.1112.0100	Right cover	1
<b>26</b>		Dust shield	1
<b>27</b>	A38.0312.0007	Heavy torsion spring	1
<b>28</b>	YD38-3.04.02-00	Heavy block	1
<b>29</b>	GB/T6177.1	Nut M8	2
<b>30</b>	A45.1113.0100	Air filter lock nut	1
<b>31</b>	A45.0113.0005	Lock nut washer 15×26×1	1
<b>32</b>	A45.1113.0001	Air filter cover	1
<b>33</b>	GB/T2672-20054541	Screw M5×16	9
<b>34</b>	TCS4600.05.00-00	Upper cover plate assembly	1
<b>34a</b>	A45.1113.0002	Upper cover plate	1
<b>34b</b>	A45.1113.0003	Upper heat isolation plate	1
<b>34c</b>	A45.1113.0004	Side heat isolation plate	1
<b>35</b>	A45.0100.0005	Idle speed adjusting guide bush	1
<b>36</b>	A45.1100.0001	Deflector cover	1
<b>37</b>	TCS4600.02.00-00s	Starter assembly	1
<b>38</b>	GB/T845	Self-tapping screw ST4.8×14	1
<b>39</b>	GB/T96	Washer 5	1
<b>40</b>	A45.0110.0001	Starter disk	1

<b>Number</b>	<b>Part number</b>	<b>Part name</b>	<b>Quantity</b>
41	YD45.02.00-5	Starter coil spring	1
42	A45.0110.0003	Starter handle	1
43	A45.0110.0006	Starter pull cord	1
44	A45.1110.0100	Starter cover	1
45	YD45.03.00-1	Shock absorber	1
46	A45.1111.0000	Base	1
47	YD45.03.02-00	Shock absorber bushing	2
48	A50.0100.0001	Rear handle screw	2
49	A45.0100.0002	Dust cover	2
50	A38.0311.0302	Fuel cover anti-drop plate	1
51	JB/T7757.2	Rubber o-ring sealing 24.7×3.55	1
52	A45.1111.0301	Fuel cap	1
53	TCS4600.03.02-00	Fuel cap assembly	1
54	YD45.03.00-2	Fuel tube	1
55	A45.0111.0008	Fuel tube circlip	1
56	A45.0111.0300	gasoline filter componets	1
57	"A45.0111.0200 and/or YD45.03.04-00"	Balancer assembly	1
58	YD38-3.03.00-3	Balancer holder	1
59	YD45.01.00-25	Throttle rod	1
60	YD45.03.00-11	Trigger	1
61	YD45.03.00-12	Trigger torsion rod spring	1
62	GB/T119.2	Pin 6×22	1
63	A45.1111.0001	Handle cover	1
64	YD45.03.00-13	Trigger control arm	1
65	GB/T845	Self-tapping screw ST4.2×22	1
66	"A38.0306.0500 and/or YD38-3.01.11.04-00"	Extinction switch	1
67	YD45-2.06.00-00	Front handle assembly	1
68	GB/T845-20051824	Self-tapping screw ST4.8×16	4
69	"A45.0111.0011 and/or YD45-4.03.00-11"	Extended oil return nozzle	1
70	A45.0111.0010	Pump oil tube	1
71	A38.0311.0100	Primer bulb	1
72	A45.0115.0400	Saw chain	1
73	A45.0115.0100	Guide bar	1
74	A45.0115.0001	Guide plate cover	1

# ENGINE UNIT



(EURO II)

TCS4600 (engine unit)

with decompression valve

<b>Number</b>	<b>Part number</b>	<b>Part name</b>	<b>Quantity</b>
1	A45.0101.0002	Cylinder body	1
2	GB/T6170	Nut M5	2
3	GB/T93	Washer 5	15
4	GB/T97.1	Washer 5	13
5	A45.0105.0001	Muffler cover plate	1
6	A45.0105.0200	Muffler body	1
7	A45.0101.0006	Muffler sealing gasket	1
8	A45.0101.0028	Muffler connecting bolts	2
9	GB/T6191	Screw M5×20	6
10	A45.0106.0500	Spark plug	1
11	A45.0101.0004	Air intake tube sealing gasket	1
12	A45.0101.0400	Air intake tube	1
13	GB/T2672	Screw M5×12	4
14	A45.0101.0020	Holding coil	1
15	A45.0101.0005	Cylinder sealing gasket	1
16	A45.0103.0001	Piston ring	2
17	A45.0103.0300	Piston	1
18	A45.0103.0003	Piston pin circlip	2
19	A45.0103.0002	Piston pin	1
20	A45.0103.0004	Needle roller bearing retaining ring	2
21	A45.0103.0100	Crankshaft connecting rod components	1
22	A45.0103.0200	Needle roller bearing 11×15×12.5	1
23	GB/T1099	Semicircular key 3×3.5×10	1
24	A45.0100.0004	Conical compression spring	1
25	A45.0100.0003	Conical tapered spring base	1
26	GB/T845-20051824	Self-tapping screw ST4.8×16 without washer	4
27	A45.0100.0100	Chain stopper	1
28	GB/T2672-20054541	Screw M5×16	1
29	A45.0102.0202	Ventilation nozzle	1
30	A45.0102.0203	Ventilation nozzle circlip	1
31	A45.0101.0026	Sponge filter block	1
32	A45.0101.0024	Pinion plate	1
33	GB/T2672	Screw M5×10	5
34	A45.0114.0302	Oil filter	1
35	A45.0114.0301	Oil filter body	1
36	A45.0114.0001	Oil tube	1
37	GB/T2672	Screw M4×14	2
38	A45.0114.0100	Oil pump	1
39	A45.0101.0027	Sponge filter coil	1
40	A45.0114.0002	Injection nozzle	1
41	A45.0101.0019	Chain guide block	1
42	GB/T900-20062618	Double-screw bolt AYM8-M8×26-8.8	2
43	A45.0101.0300	Clutch assembly	1

<b>Number</b>	<b>Part number</b>	<b>Part name</b>	<b>Quantity</b>
44	A45.0101.0302	Clutch block	3
45	A45.0101.0301	Retainer	1
46	A45.0101.0303	Clutch tension spring	1
47	A45.0101.0022	Clutch adjusting washer	1
48	A45.0101.1300	needle roller bearing 12×15×14.5	1
49	A45.0101.0033	Clutch housing	1
50	A45.0101.0030	Sprocket	1
51	A45.0101.0900	Worm gear	1
52	A45.0101.0018	Cover plate	1
53	A45.0101.1200	Oil seal 15×28×4.5	1
54	GB/T276	Bearing 6202D grade 15×35×11	2
55	A45.0101.0014	Vibration damping block 1	1
56	A45.0101.0013	Blower rod holder	1
57	A45.0101.0700	Choke rod	1
58	A45.0101.0016	Right vibration damping block	1
59	A45.0101.1000	Vibration damping seat	3
60	A45.0101.0500	Air intake tube bracket	1
61	A45.0101.0009	Tie pads	1
62	A45.0101.0008	Air intake tube bracket gasket	1
63	A45.0101.0017	Air intake tube flange	1
64	A45.0101.0200	Carburetor	1
65	A45.0101.0601	Air intake socket	1
66	A45.1104.0000	Air filter	1
67	GB/T899	Double-screw bolt GM5-M5×30	1
68	A45.0101.0010	Air intake seat cushion block	1
69	GB/T2672	Screw M5×50	2
70	A45.0102.0201	Right magnesium crankcase	1
71	A45.0101.0011	dustproof plate 3 holes	1
72	GB/T119.2	Pin 5×10	3
73	A38.0306.0400	Grounding wire	1
74	A45.0101.0015	Left vibration damping block	1
75	GB/T6191	Screw M5×25	5
76	A45.0101.0023	Oil seal baffle	1
77	GB/T93	Washer 4	2
78	GB/T2672-20054539	Screw M4×8	2
79	GB/T2672	Screw M4×10	4
80	A45.0106.0100	Flywheel assembly	1
81	GB/T6177.2	Nut M8×1	1
82	TCS4600.03.03-00	Oil cap assembly	1
83	JB/T7757.2	O-ring rubber seal 20×3.1	1
84	A38.0311.0302	Anti-drop plate	1

<b>Number</b>	<b>Part number</b>	<b>Part name</b>	<b>Quantity</b>
<b>85</b>	A45.1101.0801	Oil cap	1
<b>86</b>	A45.0102.0103	Suction tube circlip	2
<b>87</b>	A45.0102.0102	Suction tube 2.5×6×105	1
<b>88</b>	A45.0102.0300	Suction pressure nozzle	1
<b>89</b>	A45.0102.0101	Left magnesium crankcase	1
<b>90</b>	GB/T893.1	Retaining ring 35	1
<b>91</b>	A45.0101.1100	Oil seal 15×35×4.5	1
<b>92</b>	A45.0106.0200	Igniter	1
<b>93</b>	A45.0106.0600	Extinction conductor	1
<b>94</b>	A45.1106.0001	Igniter cap	1
<b>95</b>	A45.0100.0007	Dust cover	2
<b>96</b>	A45.0102.0001	Case body sealing gasket	1
<b>97</b>	A45.0101.0021	Baffle	1
<b>98</b>	A50.0101.0300	Compression release valve	1