

# LITTLE BEAVER

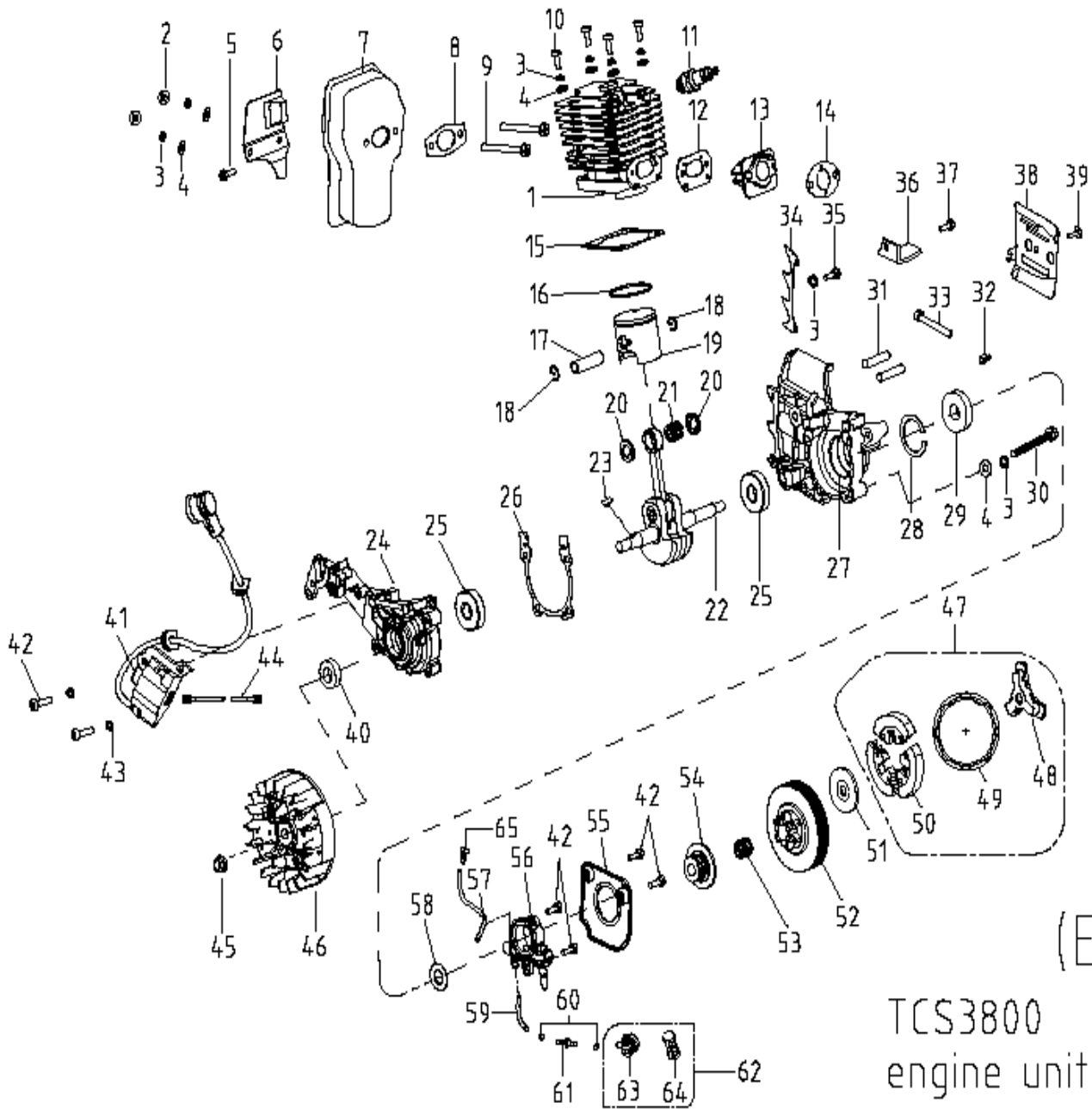
## Parts diagram



The model may differ slightly from the picture

**DUETCS3800-16**  
Little Beaver Chainsaw - 37cc  
16" bar

# ENGINE UNIT



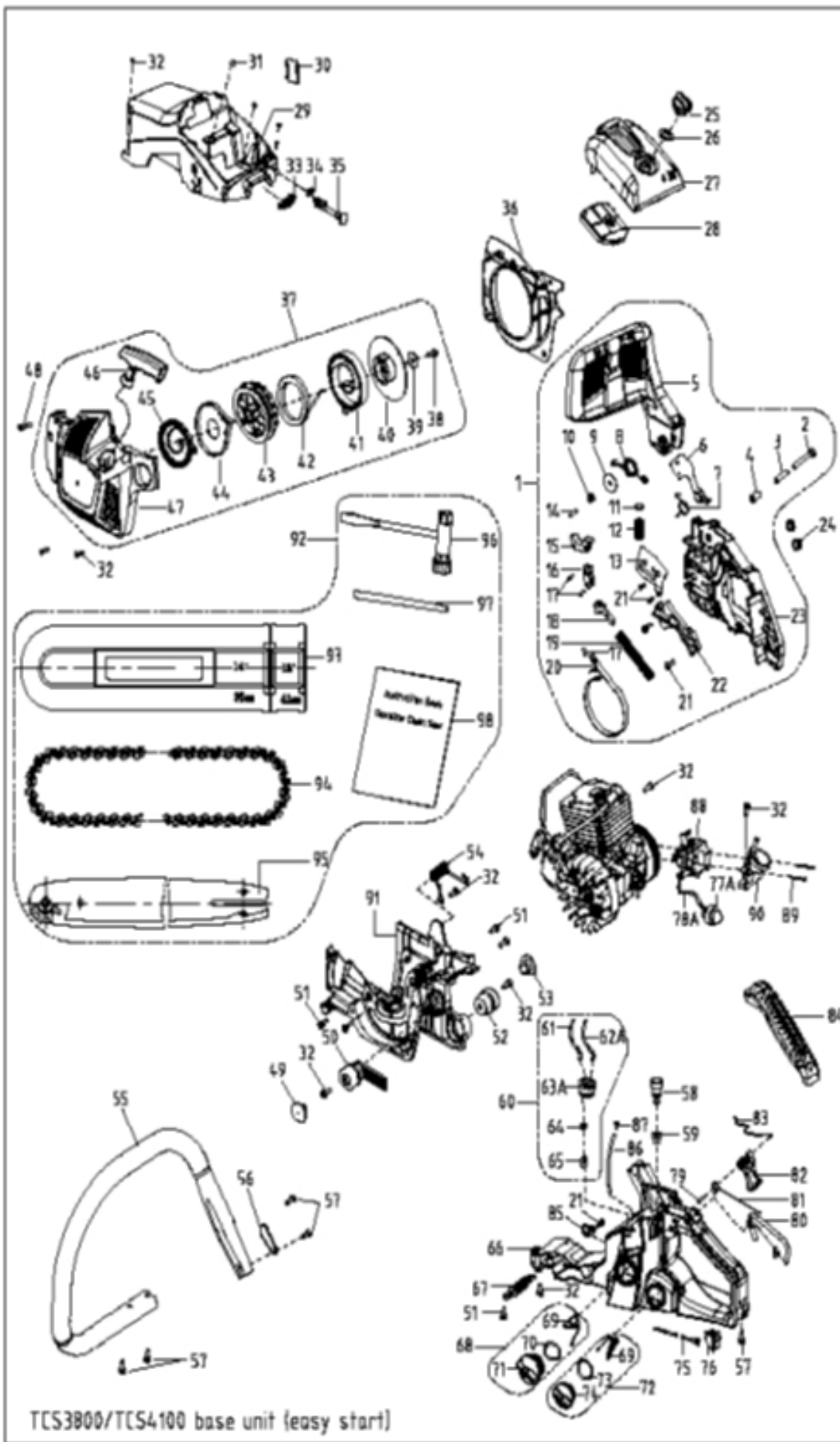
(EC II)

TCS3800  
engine unit

| Number | Part number        | Part name                             | Quantity |
|--------|--------------------|---------------------------------------|----------|
| 1      | YD38-3.01.00-1     | Cylinder body                         | 1        |
| 2      | GB/T6185.1         | Nut M5                                | 2        |
| 3      | GB/T93             | Spring washer 5                       | 11       |
| 4      | GB/T97.1           | Flat washer 5                         | 10       |
| 5      | GB/T2672           | Screw M5×14                           | 1        |
| 6      | YD38-3.01.09.00-1  | Cover plate, muffler                  | 1        |
| 7      | YD38-3.01.09.00-00 | Body, muffler                         | 1        |
| 8      | YD38-3.01.00-6     | Gasket, muffler                       | 1        |
| 9      | YD38-3.01.00-10    | Connecting bolts, muffler             | 1        |
| 10     | GB/T6191           | Screw M5×20                           | 4        |
| 11     | YD38-3.01.11.05-00 | Spark plug, NHSP LD L8RTF             | 1        |
| 12     | YD38-3.01.00-7     | Gasket, air intake tube               | 1        |
| 13     | YD38-3.01.00-3     | Air intake tube                       | 1        |
| 14     | YD38-3.01.00-8     | Gasket, carburetor                    | 1        |
| 15     | YD38-3.01.00-5     | Gasket, cylinder                      | 1        |
| 16     | YD38-3.01.03.00-2  | Piston ring                           | 1        |
| 17     | YD38-3.01.03.00-3  | Piston ping                           | 1        |
| 18     | YD38-3.01.03.00-4  | Piston pin spring                     | 2        |
| 19     | YD38-3.01.03.04-00 | Piston                                | 1        |
| 20     | YD38-3.01.03.00-5  | Retaining ring, needle roller bearing | 2        |
| 21     | YD38-3.01.03.02-00 | Needle roller bearing 10×14×11        | 1        |
| 22     | YD38-3.01.03.01-00 | Crankshaft connecting rod components  | 1        |
| 23     | GB/T1099           | Semicircular ket 3×3.5×10             | 1        |
| 24     | YD38-3.01.01.00-1  | Crankcase, left                       | 1        |
| 25     | GB/T276            | Bearing 6201D grade12×32×10           | 2        |
| 26     | YD38-3.01.01.00-3  | Gasket, case body                     | 1        |
| 27     | YD38-3.01.01.00-2  | Crankcase, right                      | 1        |
| 28     | GB/T893.1          | Retaining ring 32                     | 1        |
| 29     | YD38-3.01.01.01-00 | Oil seal 12×32×5.5                    | 1        |
| 30     | GB/T6191           | Screw M5×30                           | 4        |
| 31     | GB/T900            | Double-screw boltAYM8-M8×26-8.8       | 2        |
| 32     | YD38-3.01.00-9     | Tensioning block                      | 1        |
| 33     | GB/T9074.120061681 | Adjusting screw assembly M5×48        | 1        |
| 34     | YD45.01.00-21      | Spiked bumper                         | 1        |
| 35     | GB/T2672           | Screw M5×12                           | 1        |
| 36     | YD38-3.01.00-15    | Chain catcher blocks                  | 1        |
| 37     | YD38-3.01.00-16    | Chain catcher screw                   | 1        |
| 38     | YD38-3.01.00-4     | Baffle                                | 1        |
| 39     | GB/T2672           | Screw M4×10                           | 1        |
| 40     | YD38-3.01.01.02-00 | Oil seal 12×22×7                      | 1        |
| 41     | YD38-3.01.11.01-00 | Igniter                               | 1        |
| 42     | GB/T2672           | Screw M4×14                           | 6        |
| 43     | GB/T93             | Spring washer 4                       | 2        |

| <b>Number</b> | <b>Part number</b> | <b>Part name</b>               | <b>Quantity</b> |
|---------------|--------------------|--------------------------------|-----------------|
| 44            | YD38-3.01.11.02-00 | Extincion conductor            | 1               |
| 45            | GB/T6177.2         | Flange nut M8×1                | 1               |
| 46            | YD38-3.01.10.00-00 | Flywheel assembly              | 1               |
| 47            | YD38-3.01.13.00-00 | Clutch assembly                | 1               |
| 48            | YD38-3.01.13.01-1  | Retainer                       | 1               |
| 49            | YD38-3.01.13.01-3  | Clutch extension spring        | 1               |
| 50            | YD38-3.01.13.01-2  | Shoe block                     | 1               |
| 51            | YD38-3.01.13.00-2  | Clutch adjusting washer        | 1               |
| 52            | YD38-3.01.13.00-1  | Clutch housing                 | 1               |
| 53            | YD38-3.01.00.01-6  | Needle roller bearing 10×13×13 | 1               |
| 54            | YD38-3.01.00-11    | Worm gear                      | 1               |
| 55            | YD38-3.00.00-12    | Cover plate                    | 1               |
| 56            | YD38-3.01.15.00-00 | Oil pump                       | 1               |
| 57            | YD38-3.01.00-13    | Oil outlet tupe 3×6.5×75       | 1               |
| 58            | YD38-3.01.00-12    | Worm gear washer 10×18×1       | 1               |
| 59            | YD38-3.00.00-2     | Oil inlet tube 3.5×6.5×68      | 1               |
| 60            | YD38-3.00.00-17    | Clamping spring, oil tube      | 2               |
| 61            | YD38-3.00.00-3     | Fitting, oil inlet tube        | 1               |
| 62            | YD38-3.00.00-16    | Oil filter screen assembly     | 1               |
| 63            | YD38-3.03.00-11    | Oil nozzle                     | 1               |
| 64            | YD38-3.03.00-12    | Oil filter screen              | 1               |
| 65            | YD38-3.01.00-14    | Oil injector nozzle            | 1               |

# BASE UNIT



TCS3800/TCS4100 base unit (easy start)

| <b>Number</b> | <b>Part number</b>        | <b>Part name</b>                 | <b>Quantity</b> |
|---------------|---------------------------|----------------------------------|-----------------|
| 1             | T+B41:B115CS3800.04.00-00 | Right cover assembly             | 1               |
| 2             | YD38-3.04.00-16           | Screw M5×40                      | 1               |
| 3             | YD38-3.04.00-13           | Baffle bushing 5x6.3x30          | 1               |
| 4             | YD38-3.04.00-12           | Weighted bushing 6.3x9x15        | 1               |
| 5             | TCS3800.04.00-2           | Front baffle                     | 1               |
| 6             | YD38-3.04.02-00           | Weight                           | 1               |
| 7             | YD38-3.04.00-7            | Heavy duty torsion spring        | 1               |
| 8             | YD38-3.04.00-9            | Brake torsion rod spring         | 1               |
| 9             | YD38-3.04.00-14           | Washer 5.2×23×1.2                | 1               |
| 10            | GB/T6185.1                | Self-locking nut M5              | 1               |
| 11            | YD38-3.04.00-6            | Spring base                      | 1               |
| 12            | YD38-3.04.00-5            | Front fender compression spring  | 1               |
| 13            | YD38-3.04.00-15           | Tensioner cover plate            | 1               |
| 14            | GB/T119.2                 | Pin 3×14                         | 1               |
| 15            | YD38-3.04.00-4            | Main level                       | 1               |
| 16            | YD38-3.04.00-3            | Secondary tie rod                | 1               |
| 17            | GB/T119.2                 | Pin 3×9                          | 3               |
| 18            | YD38-3.04.00-11           | Brake control lever              | 1               |
| 19            | YD38-3.04.00-8            | Brake spring                     | 1               |
| 20            | YD38-3.04.00-10           | Brake belt                       | 1               |
| 21            | GB/T845-20051790          | Self-tapping screw ST4.2×9.5     | 5               |
| 22            | YD38-3.04.00-1            | Brake spring cover plate         | 1               |
| 23            | TCS3800.04.01-00          | Right cover                      | 1               |
| 24            | GB/T6177.1                | Hexagonal flange nut M8          | 2               |
| 25            | TCS3800.05.01-00          | Air filter lock nut              | 1               |
| 26            | YD38-3.05.00-6            | Lock nut washer 15×26×1          | 1               |
| 27            | TCS3800.05.00-2           | Air filter cover                 | 1               |
| 28            | YD38-5.01.08.00-00        | Air filter                       | 1               |
| 29            | TCS3800.05.00-1           | Upper cover plate                | 1               |
| 30            | YD38-3.05.00-5            | Anti-freeze block                | 1               |
| 31            | YD38-3.05.00-4            | Vibration damping block          | 1               |
| 32            | GB/T845-20051824          | Self-tapping screw ST4.8×16      | 12              |
| 33            | YD38-3.00.00-7            | Dust shield                      | 1               |
| 34            | YD38-3.00.00-11           | Throttle lever retaining bracket | 1               |
| 35            | YD38-5.00.00-10           | Throttlet rod                    | 1               |
| 36            | TCS3800.02.00-1           | Deflector                        | 1               |
| 37            | TCS3800.02.00-00          | Starter assembly                 | 1               |
| 38            | GB/T845                   | Self-tapping screw ST4.8×13      | 1               |
| 39            | GB/T96                    | Washer 5                         | 1               |
| 40            | YD38-5.12.00-6            | Starter ratchet                  | 1               |
| 41            | YD38-5.12.00-5            | Strip spring                     | 1               |
| 42            | YD38-3.02.00-6            | Starter pull rope 3×920          | 1               |
| 43            | YD38-7.02.00-4            | Starter plate                    | 1               |

| <b>Number</b> | <b>Part number</b> | <b>Part name</b>               | <b>Quantity</b> |
|---------------|--------------------|--------------------------------|-----------------|
| 44            | YD36.02.01-2       | 36 coil spring gland           | 1               |
| 45            | YD36.02.01-4       | 36 starter coil spring         | 1               |
| 46            | YD38-5.02.00-4     | Starter handle                 | 1               |
| 47            | TCS3800.02.01-00   | Starter cover                  | 1               |
| 48            | GB/T845            | Self-tapping screw ST4.8×19    | 1               |
| 49            | GB/T845            | Self-tapping screw ST4.8×25    | 5               |
| 50            | YD38-3.00.00-9     | Left dust cover                | 1               |
| 51            | YD38-3.06.04-00    | Long shock absorbing seat 1    | 1               |
| 52            | GB/T818            | Screw M5×14                    | 5               |
| 53            | YD38-3.06.03-00    | Shock absorbing seat 2         | 1               |
| 54            | YD38-3.00.00-8     | Right dust cover               | 1               |
| 55            | YD38-3.00.00-4     | Front handle torsion spring    | 1               |
| 56            | YD38-3.00.00-1     | Front handle                   | 1               |
| 57            | YD38-3.00.00-13    | Torsion rod spring cover plate | 1               |
| 58            | YD38-3.03.06-00    | Balancer body assembly         | 1               |
| 59            | YD38-3.03.00-3     | Balancer holder                | 1               |
| 60            | YD38-3.03.05-00    | Fuel filter assembly w/tube    | 1               |
| 61            | YD38-3.03.00-1     | Fuel tube                      | 1               |
| 62            | YD38-3.03.00-1A    | Oil return pipe                | 1               |
| 63            | YD38-3.03.00-2A    | Fuel tube holder               | 1               |
| 64            | YD38-3.03.00-12    | Counterweight block            | 1               |
| 65            | YD38-3.03.04-00    | Fuel filter assembly           | 1               |
| 66            | YD38-6.03.01-00    | Base                           | 1               |
| 67            | YD38-3.00.00-5     | Base tension spring            | 1               |
| 68            | TCS4600.03.02-00   | Fuel port cover assembly       | 1               |
| 69            | YD38-3.03.03-2     | Anti-drop plate                | 2               |
| 70            | JB/T7757.2         | O-ring rubber seal 24.7×3.55   | 1               |
| 71            | TCS4600.03.02-1    | Fuel port cover                | 1               |
| 72            | TCS4600.03.03-00   | Oil port cover assembly        | 1               |
| 73            | JB/T7757.2         | O-ring rubber seal 20×3.1      | 1               |
| 74            | TCS4600.03.03-1    | Oil port cover                 | 1               |
| 75            | YD38-3.01.11.03-00 | Grounding wire                 | 1               |
| 76            | YD38-3.01.11.04-00 | Extinction switch              | 1               |
| 77            | YD38-3.03.00-4A    | Primer pump                    | 1               |
| 78            | YD45-4.03.00-13    | Pump tube                      | 1               |
| 79            | GB/T119.2          | Pin 5×24                       | 1               |
| 80            | YD38-3.03.00-9     | Trigger control arm            | 1               |
| 81            | YD38-3.03.00-8     | Trigger torsion rod spring     | 1               |
| 82            | YD38-3.03.00-7     | Trigger                        | 1               |
| 83            | YD38-5.00.00-6     | Throttle push rod              | 1               |
| 84            | TCS3800.03.00-10   | Handle cover                   | 1               |
| 85            | YD38-3.03.00-16    | Circlip for nozzle             | 1               |

| <b>Number</b> | <b>Part number</b> | <b>Part name</b>            | <b>Quantity</b> |
|---------------|--------------------|-----------------------------|-----------------|
| <b>86</b>     | YD38-3.00.00-2     | Ventilation tube 3.5×6.5×72 | 1               |
| <b>87</b>     | GB/T845            | self-tapping screw ST4.2×14 | 1               |
| <b>88</b>     | YD38-3.01.06.00-00 | Carburetor                  | 1               |
| <b>89</b>     | YD38-3.01.00-17    | Carburetor screw            | 2               |
| <b>90</b>     | YD38-3.01.00.02-00 | Air intake seat             | 1               |
| <b>91</b>     | YD38-5.06.01-00    | Case                        | 1               |
| <b>92</b>     | YD38-3.08.00-00    | Accessory assembly          | 1               |
| <b>93</b>     | YD38-3.07.00-00    | Chain cover                 | 1               |
| <b>94</b>     | YD38-3.07.02-01    | Saw chain                   | 1               |
| <b>95</b>     | YD38-3.07.01-01    | Guide plate assembly        | 1               |
| <b>96</b>     | YD38-3.08.01-00    | Sleeve plate handle         | 1               |
| <b>97</b>     | YD38-3.08.04-00    | File                        | 1               |
| <b>98</b>     | YD38-3.08.03-00    | Instruction manual          | 1               |