

LITTLE BEAVER

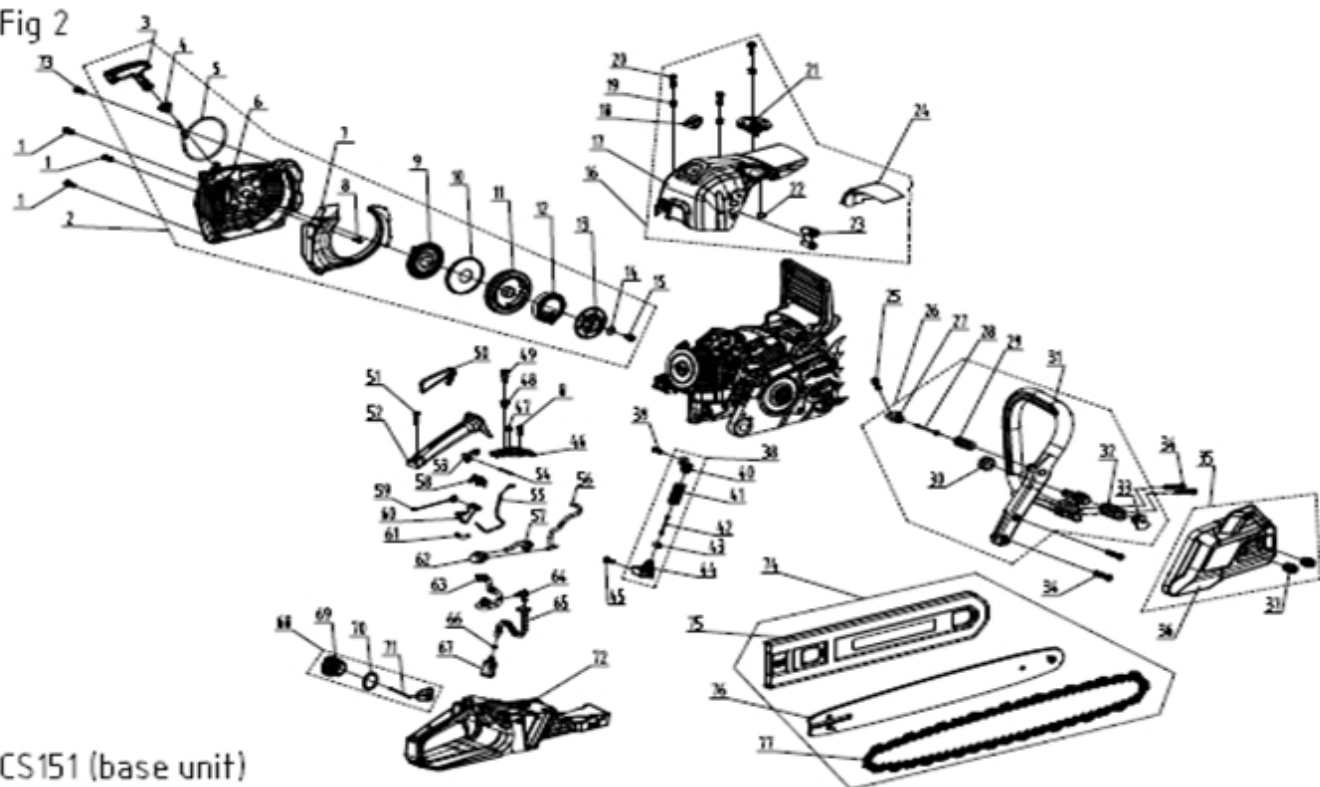
Parts diagram



The model may differ slightly from the picture

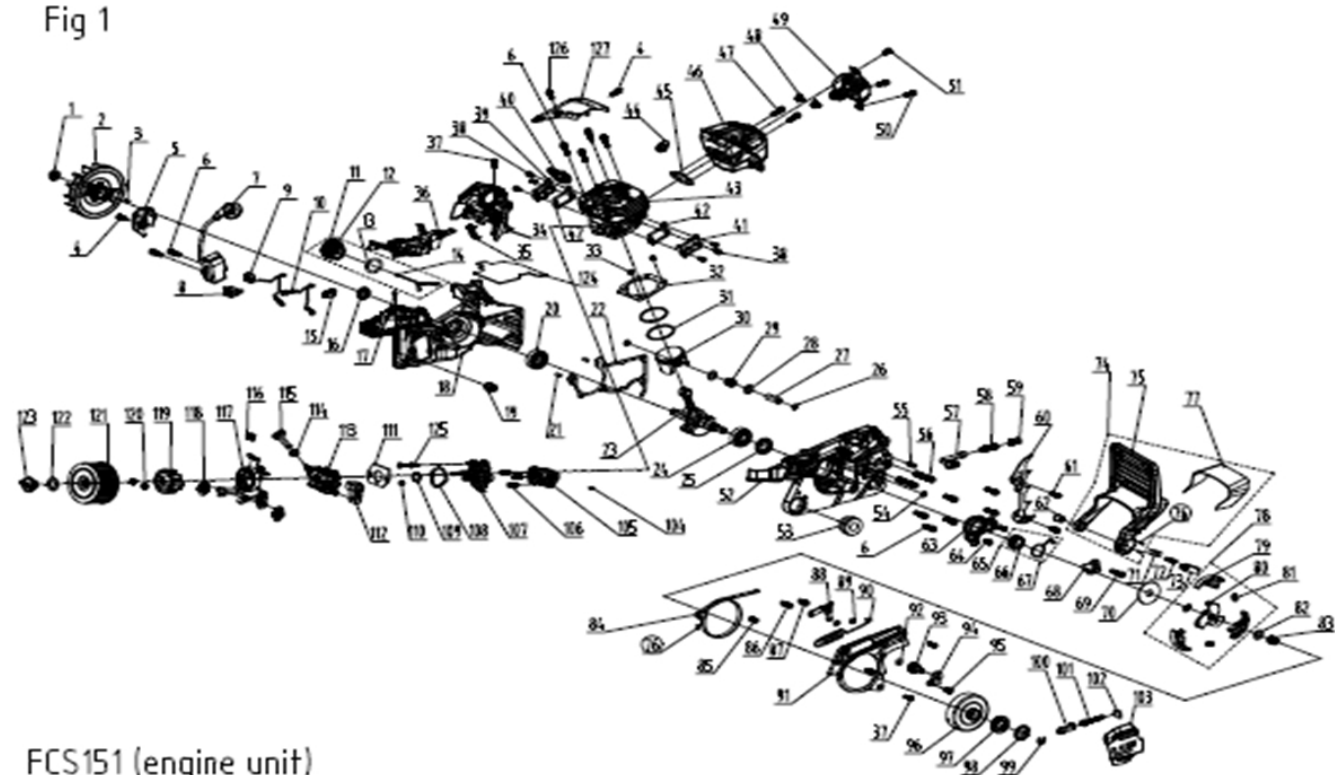
DUEFCS151-18
Little Beaver Chainsaw - 51cc
18" bar

Fig 2



FCS151 (base unit)

Fig 1



FCS151 (engine unit)

Number	Part number	Part name	Quantity
1	GB/T2672	Hexagon screws M5x16	3
2	A51.0110.0000	Starter assembly	1
3	A41.1110.0003	Starter handle	1
4	A41.1110.0002	Starter rope sleeve	1
5	A45.0110.0006	Start Pull Cord	1
6	A51.0110.0100	Starter cover	1
7	A51.0100.0012	Deflector cover	1
8	GB/T845	Hexagon tapping screws ST4.2x14	2
9	A45.0130.0201	Start coil-spring	1
10	A45.0130.0202	Coil-spring cover	1
11	A45.0130.0001	Start plate	1
12	A45.0130.0003	Strip spring	1
13	A50.5110.0102	Ratchet wheel	1
14	GB/T96	Washer 5.2x15x1.5	1
15	GB/T845	Hexagon tapping screws ST4.8x14	1
16	A51.0113.0200	Cylinder shield assembly EPA	1
17	A51.0113.0101	Cylinder shield	1
18	A51.0102.0101	Left crank case	1
19	A51.0101.0017	Anti-vibration cushion	1
20	A51.0100.0400	Top cover screw assembly	3
21	A51.0113.0103	Decompression valve cap	1
22	A51.0100.0008	Decompression valve cap	1
23	A51.0101.0022	Idling adjusting guiding gland	1
24	A51.0113.0102	Heat isolation for cylinder shield	1
25	GB/T6191	Hexagon screws M5x20 (w/spring & flat pad)	1
26	A51.0100.0500	Front handle assembly	1
27	A51.0100.0004	RIGHT ABSORBER SPRING BASE3	1
28	A51.0100.0200	Supporting rope3	1
29	A51.0100.0003	Right absorber spring3	1
30	A51.0100.0006	Sponge	1
31	A51.0100.0013	Front handle	1
32	A51.0100.0001	Front absorber spring	1
33	A51.0100.0009	Front absorber base1	1
34	A51.0100.0016	Hexagon self-tapping screws ST6.3x32	4
35	A51.0112.0000	Clutch cover assembly, RIGHT	1
36	A51.0112.0100	Clutch cover	1
37	A41.1112.0004	Clutch cover nut	2
38	A51.0100.0600	Bottom absorber2 assembly	1
39	GB/T2672	Hexagon screws with pad M4x14	1
40	A51.0100.0010	Bottom absorber upper base2	1
41	A51.0100.0002	Bottom absorber spring2	1
42	A51.0100.0100	Bottom absorber rope2	1
43	A51.0100.0005	Bottom sponge	1

Number	Part number	Part name	Quantity
44	A51.0100.0011	Bottom absorber bottom base2	1
45	GB/T845	Hexagon tapping screws ST4.8x16	1
46	A51.0111.0011	Bottom cover	1
47	A51.0111.0012	Pump fuel tube sleeve	1
48	A38.0311.0006	Vent valve seat	1
49	A45.0111.0200	Balancer	1
50	A51.0111.0002	Throttle trigger lock-out	1
51	GB/T845	Hexagon tapping screws ST4.2x22	1
52	A51.0111.0001	Rear handle cover	1
53	A51.0111.0004	Throttle cable shaft	1
54	GB/T119.2	Cylindrical pin ϕ 3x25	1
55	A51.0111.0200	Throttle cable	1
56	A51.0111.0009	Pump fuel tube 0.6m	1
57	A45.0111.0011	Fuel return nozzle	1
58	A51.0111.0005	Throttle cable groove	1
59	A42.5111.0007	Trigger torsion spring	1
60	A51.0111.0003	Throttle trigger	1
61	A51.0111.0010	Wire sleeve	1
62	A38.0311.0100	Primer bulb	1
63	A51.0111.0013	Top fuel tube EPA	1
64	A51.0111.0006	Fuel nozzle	1
65	A51.0111.0007	Bottom fuel tube	1
66	A45.0111.0008	Fuel tube circlip OD 8	1
67	A45.0111.0300	Fuel filter	1
68	A51.0111.0300	Fuel tank cap assembly	1
69	A38.0611.0201	Fuel tank cap	1
70	03.01.2.100	O ring 24.7x3.55	1
71	A38.0311.0302	Retainer	1
72	A51.0111.0100	Rear handle	1
73	A51.0101.0035	Supporting sleeve screw M5x16	1
74	A51.0115.0000	Cutting device	1
75	07.04.1.10.505	18" polygon guide sleeve	1
76	188PXBK095	18" Guide plate oregon	1
77	21BPX072X	18 inch chain Oregon	1
78	A42.0101.0500	Clutch	1
79	A42.0101.0502	Clutch shoe block	3
80	A42.0101.0501	Clutch retainer	1
81	A42.0101.0503	Clutch spring	3
82	A50.1101.0010	Plate washer ϕ 17.8x10.1x0.8	1
83	A42.0101.0600	Needle bearing ϕ 10x14x13	1
84	A42.0112.0004	Brake strap	1
85	A42.0102.0004	Position pin for brake spring	1

Number	Part number	Part name	Quantity
86	A42.0102.0006	Front handle guard position pin	1
87	A42.0102.0005	Gemel rod position pin	1
88	A42.0112.0200	Gemel rod	1
89	GB/T896	E ring $\phi 5$	2
90	A42.0112.0003	Brake spring	1
91	A51.0112.0002	Brake mechanism cover	1
92	03.01.2.173	Oil sealing 6×2	1
93	A42.0112.0007	Chain tension gear	1
94	A51.0101.0027	Chain tension gear cover	1
95	GB/T2672	Hexagon screws M5x10	1
96	A51.0101.0007	Clutch shell	1
97	A45.0101.0030	Drive sprocket	1
98	A42.0101.0014	Drive sprocket cover	1
99	GB/T896	E ring $\phi 8$	1
100	A51.0101.0011	Chain tension block	1
101	A42.0112.0008	Chain tension screw	1
102	A42.0112.0006	Position block	1
103	A51.0101.0010	Guide pad	1
104	A51.0101.0030	Intake pipe bush	1
105	A51.0101.0200	Intake pipe	1
106	GB/T6191	Hexagon screws M4x14	3
107	A51.0101.0400	Carburetor supporting frame	1
108	A51.0101.0015	Carburetor sealing ring	1
109	A51.0101.0013	Retainer ring	1
110	A51.0101.0032	Plastic liner	1
111	A51.0101.0031	Carburetor gasket	1
112	A51.0101.0023	Guide bush stents	1
113	A51.0101.0100	Carburetor	1
114	A41.1100.0011	Choke knob seat	1
115	A51.0100.0021	Choke knob EPA	1
116	A51.0101.0029	Throttle cable fixing circlip	1
117	A51.0101.0024	Air filter base	1
118	A51.0101.0019	Bumper	2
119	A51.0101.0900	Air filter supporting frame	1
120	GB/T6177.1-2000	Hexagonal flange face nut M5	2
121	A51.0101.0300	Air filter	1
122	A45.0113.0005	Lock nut washer 15×26×1	1
123	A38.0813.0100	Lock knob	1
124	A51.0101.0034	Box insulation film	1
125	GB/T845	Hexagon tapping screws ST4.2x14	2
126	GB/T2672	Hexagon screws M5x14 (w/spring & flat pad)	1
127	A51.0101.0036	Cylinder air flow guiding cover	1