

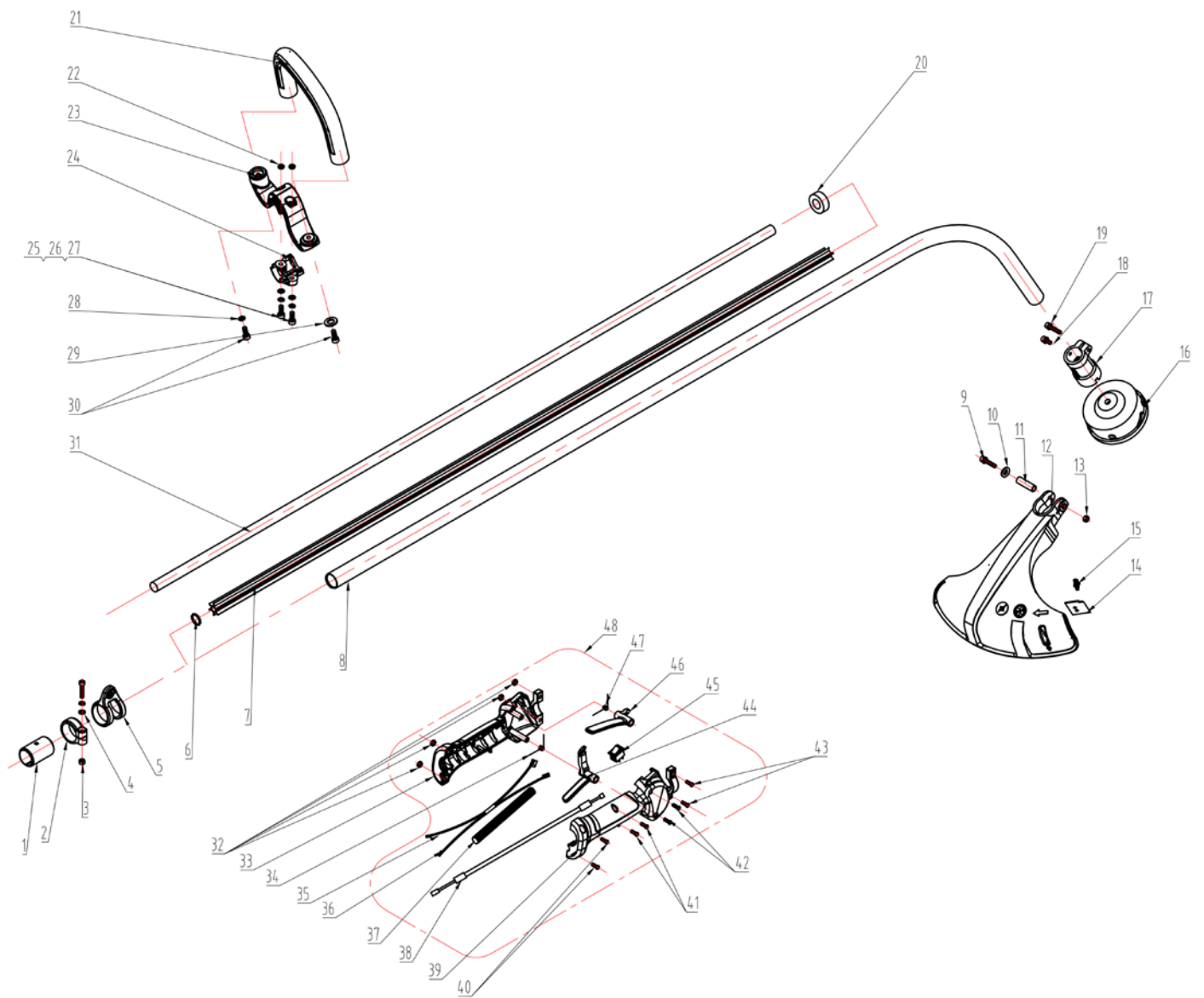
LITTLE BEAVER

Parts diagram



The model may differ slightly from the picture.

DUETTR261S
Trimmer Curved
25.4 CC - 2 Stroke



	Part number	Part name	Quantity
1	C33.2112.0201	Sleeve 26	1
2	C33.2112.0203	Clamp	1
3	GB/T6170	Nut M5	1
4	GB/T2671.2	Screw M5x22	1
5	C33.2112.0204	Harness clamp assembly	1
6	G26.0212.0102	Spring washer	1
7	G26.1112.0002	Plastic liner	1
8	G26.1112.0201	Curve tubing	1
9	GB/T2671.2	Screw M5x40	1
10	GB/T96	Plate washer 5x16x1	1
11	G26.1113.0003	Over set	1
12	G26.1113.0001	Plastic guard	1
13	GB/T6170	Nut M5	1
14	G26.1113.0002	Cutting blade	1

15	GB/T845	ST screw 4.2x13	2
16	G26.0200.0100	String head assembly	1
17	G26.1112.0300	Connector	1
18	GB/T2671.2	Screw M5x12	1
19	GB/T2671.2	Screw M5x25	1
20	G26.1212.0301	Eyelet	1
21	C43.1311.0101	Front handle	1
22	GB/T6170	Nut M5	2
23	C43.1311.0102	Handle base	1
24	C43.1311.0103	Clamp	1
25	GB/T2671.2	Screw M5x28	2
26	GB/T93	Lock washer 5	2
27	GB/T97.1	Plate washer 5	2
28	GB/T97.1	Plate washer 5	1
29	GB/T97.1	Plate washer	1
30	GB/T845	ST screw 4.8x19	2
31	G27.6112.0001	Flex shaft	1
32	GB/T6170	Nut M5	4
33	C43.1311.0201	Plastic handle \ LH	1
34	C43.1311.0205	Spring \ trigger	1
35	C43.1311.0208	Wire cable A	1
36	C43.1311.0209	Wire cable B	1
37	C43.1311.0210	Wire Sleeve	1
38	C43.1311.0207	Throttle cable assembly	1
39	C43.1311.0202	Plastic handle \ RH	1
40	GB/T2671.2	Screw M5x14	2
41	GB/T845	ST screw 3.5x9.5	2
42	GB/T845	ST screw ST4.2x10	2
43	GB/T2671.2	Screw M5x14	2
44	C43.1311.0204	Trigger	1
45	A38.0306.0500	Switch	1
46	C43.1311.0203	Lock trigger	1
47	C43.1311.0206	Spring \ trigger	1
48	C43.1311.0200	Rubber handle	1